

PARTS CATALOGUE



MDNM6



DBNM8

MTN890 (BWF1) MALAYSIA

MTN890
PARTS CATALOGUE
©2024 by Yamaha Motor Co., Ltd.
1st edition, August 2024
All rights reserved.
Any reprinting or unauthorized use
without the written permission of
Yamaha Motor Co., Ltd.
is expressly prohibited.
Printed in Japan.

FOREWORD

This Parts Catalogue is related to the parts for the model(s) on the cover page. When you are ordering replacement parts, please refer to this Parts Catalogue and quote both part numbers and part names correctly.

1. Modifications or additions which have been made after the issue of the Parts Catalogue will be announced in the Parts News.
It is advisable that you make the necessary corrections to the Parts Catalogue according to the Parts News.

2. Abbreviations

The following abbreviations are used in this Parts Catalogue.

“UR” Use specified parts number.

“UN” Use as many as needed.

“AP” Alternate Parts

“LM” Locally Made (Parts need to be ordered locally)

“F#” Frame No. (Applicable machine No.)

“O/S” Over Size

3. The number of components for assembly

- Parts, which are to be supplied in an assembly, are listed with a dot (.) in front of the part name as shown below.
- The numeral appearing to the right of each component part indicates the quantity of parts for each assembly unit.

PART NO.	DESCRIPTION	Q'TY	REMARKS
2F5-83310-60	FRONT FLASHER LIGHT ASSY	2	
115-83311-60	.BULB (6V-18W)	1	

4. Applicable colours of graphics are represented in the “REMARKS” as shown below.

PART NO.	DESCRIPTION	Q'TY	REMARKS
2N4-24110-00-X5	FUEL TANK COMP.	2	MXR
3J1-24240-10	.GRAPHIC, FUEL TANK	1	FOR MXR

5. Note that the illustrations for reference in finding parts numbers are not to be used for assembling. When assembling, please use the applicable service manual.

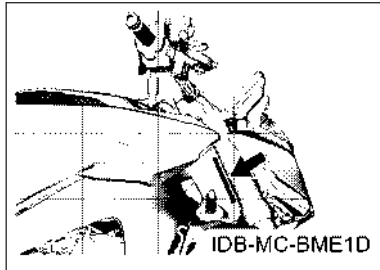
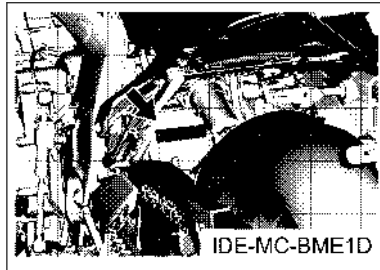
6. The asterisk (*) before a reference number indicates modified items after the first edition.

FOREWORD

7. Applicable Serial No.

Engine Serial No.

Frame Serial No.



8. Applicable Colour Code (The (*) mark shows Model colour.)

Abbreviation	Colour Name	Colour Code
CS8	CYAN SOLID 8	1853
DBNM8(*)	DARK BLUISH GRAY METALLIC 8	0919
LGB	LOW GLOSS BLACK	0098
MBL2	MAT BLACK 2	0582
MDNM6(*)	MAT DARK GRAY METALLIC 6	1579
SMX	BLACK METALLIC X	0903

CONTENTS

PERIODIC MAINTENANCE PARTS.....	1
---------------------------------	---

ENGINE

CYLINDER HEAD.....	2
CRANKSHAFT & PISTON.....	3
VALVE.....	4
CAMSHAFT & CHAIN.....	6
WATER PUMP.....	7
RADIATOR & HOSE.....	9
OIL PUMP.....	11
OIL CLEANER.....	12
INTAKE.....	13
INTAKE 2.....	15
EXHAUST.....	17
CRANKCASE.....	18
CRANKCASE COVER.....	20
STARTER.....	22
CLUTCH.....	23
TRANSMISSION.....	25
SHIFT CAM & FORK.....	27
SHIFT SHAFT.....	28

CHASSIS

FRAME.....	30
FENDER.....	32
SIDE COVER.....	33
REAR ARM.....	34
REAR SUSPENSION.....	36
STEERING.....	37
FRONT FORK.....	38
FUEL TANK.....	40
FUEL TANK 2.....	42
FUEL TANK 3.....	43
SEAT.....	45
FRONT WHEEL.....	46
FRONT BRAKE CALIPER.....	47
REAR WHEEL.....	48
REAR BRAKE CALIPER.....	50
STEERING HANDLE & CABLE.....	51
FRONT MASTER CYLINDER.....	52

STAND & FOOTREST.....	54
REAR MASTER CYLINDER.....	57
GENERATOR.....	58
STARTING MOTOR.....	59
FLASHER LIGHT.....	60
METER.....	61
HEADLIGHT.....	62
TAILLIGHT.....	63
HANDLE SWITCH & LEVER.....	64
ELECTRICAL 1.....	65
ELECTRICAL 2.....	67
ELECTRICAL 3.....	68

INDEX

NUMERICAL INDEX.....	69
----------------------	----

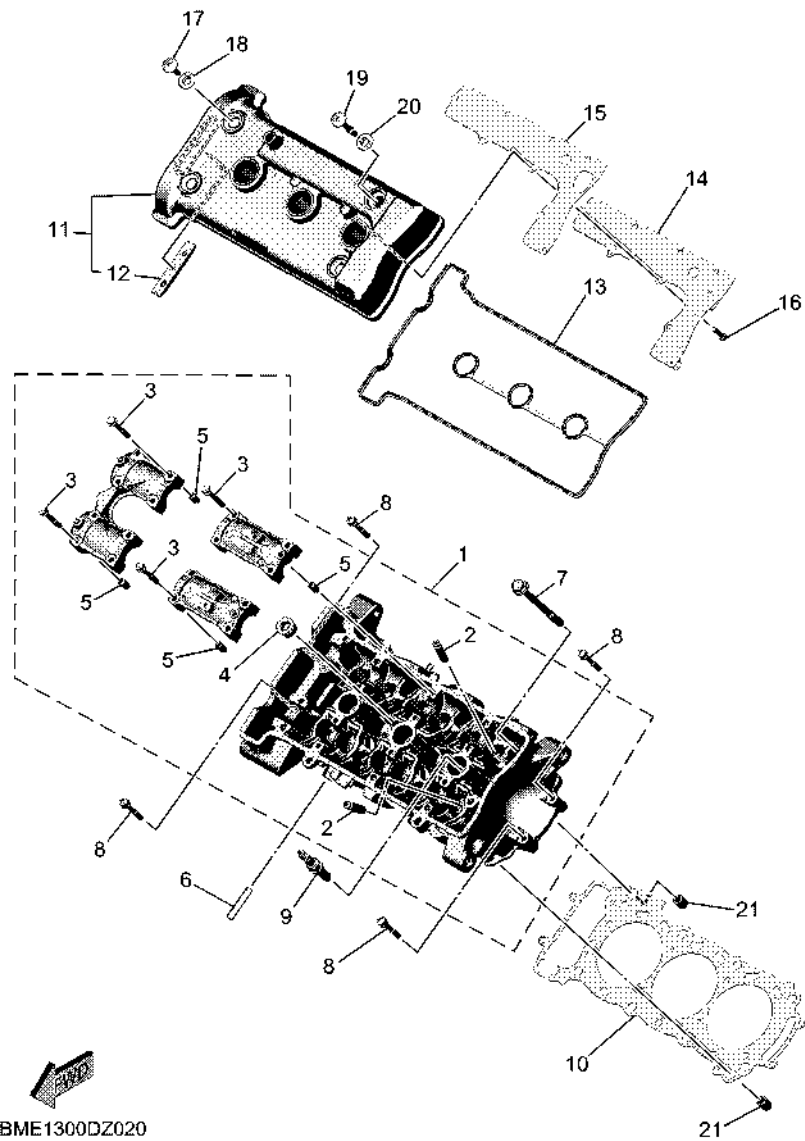


FIG. 2 CYLINDER HEAD

REF. NO.	PART NO.	DESCRIPTION	BWF1				REMARKS
1	BME-11101-09	CYLINDER HEAD ASSY	1				
2	2C0-11133-11	.GUIDE, VALVE 1	12				
3	90105-06027	.BOLT, FLANGE	16				
4	90340-18002	.PLUG, STRAIGHT SCREW	2				
5	91808-16023	.PIN, DOWEL	6				
6	95612-08625	BOLT, STUD	6				
7	90119-09019	BOLT, WITH WASHER	8				
8	90109-061F7	BOLT	4				
9	94701-00446	PLUG, SPARK (NGK LMAR9A-9)	3				
10	B7N-11181-00	GASKET, CYLINDER HEAD 1	1				
11	B7N-11191-00	COVER, CYLINDER HEAD 1	1				MDNM9
12	5BE-12241-01	.GUIDE, STOPPER 2	1				
13	B7N-11193-00	GASKET, HEAD COVER 1	1				
14	B7N-11165-00	PLATE, BREATHER	1				
15	B7N-11169-00	GASKET, BREATHER COVER	1				
16	90149-05037	SCREW	7				
17	90109-066F0	BOLT	3				
18	5VY-1111G-00	RUBBER, MOUNT 1	3				
19	90109-06271	BOLT	1				
20	5VY-1111G-00	RUBBER, MOUNT 1	1				
21	99530-12016	PIN, DOWEL	2				

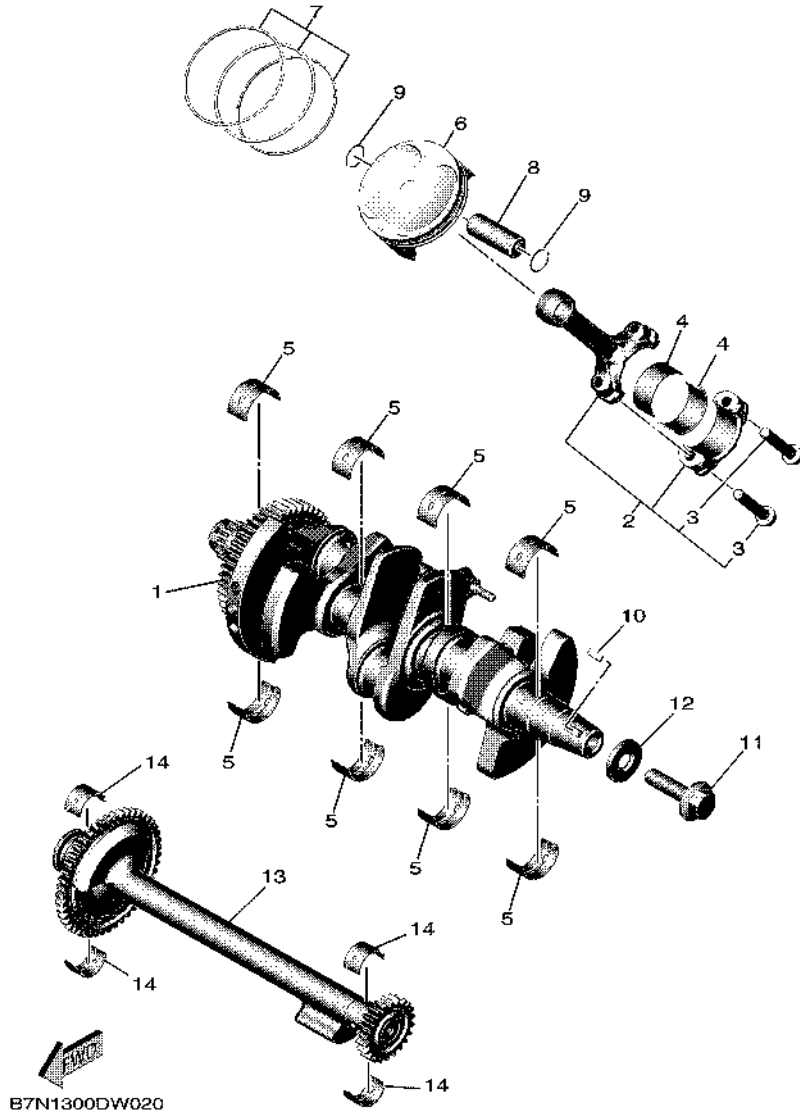
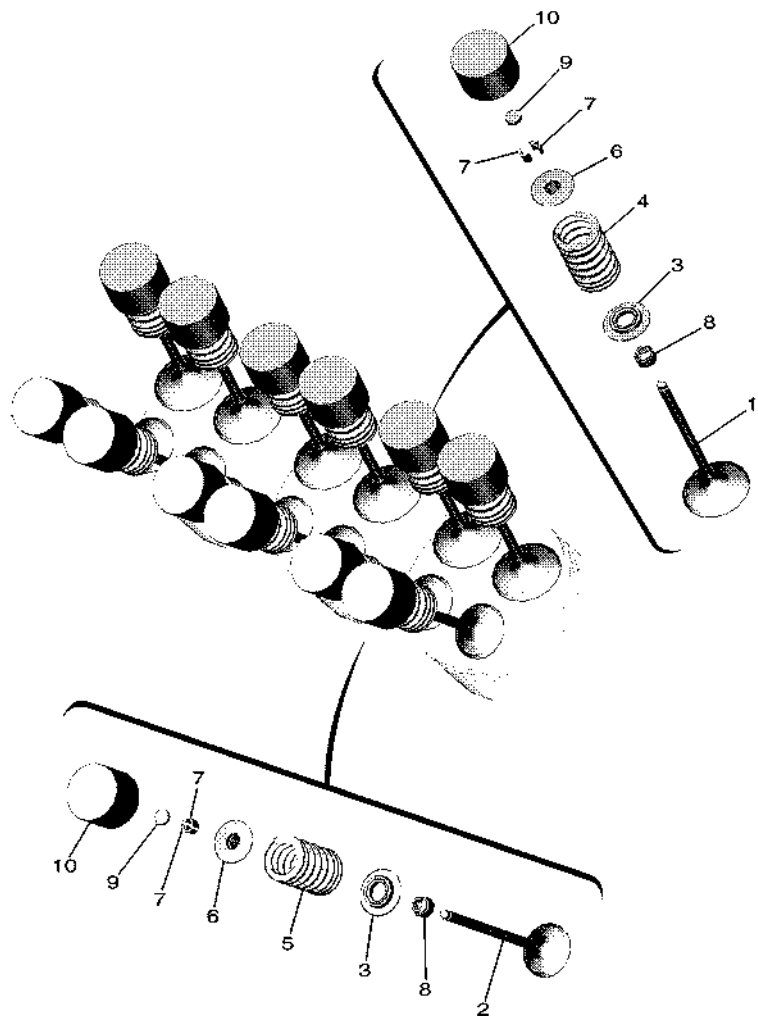


FIG. 3 CRANKSHAFT & PISTON

REF. NO.	PART NO.	DESCRIPTION	BWF1			REMARKS
1	B7N-11400-01	CRANKSHAFT ASSY	1			
2	BME-11650-00	CONNECTING ROD ASSY	3			
3	1RC-11654-00	.BOLT, CONNECTING ROD	2			
4	BME-11656-00	PLANE BEARING, CONNECTING ROD	6			UR BLUE
	BME-11656-10	PLANE BEARING, CONNECTING ROD	6			UR BLACK
	BME-11656-20	PLANE BEARING, CONNECTING ROD	6			UR BROWN
	BME-11656-30	PLANE BEARING, CONNECTING ROD	6			UR GREEN
5	BME-11416-A0	PLANE BEARING, CRANKSHAFT 1	8			UR WHITE
	BME-11416-00	PLANE BEARING, CRANKSHAFT 1	8			UR BLUE
	BME-11416-10	PLANE BEARING, CRANKSHAFT 1	8			UR BLACK
	BME-11416-20	PLANE BEARING, CRANKSHAFT 1	8			UR BROWN
	BME-11416-30	PLANE BEARING, CRANKSHAFT 1	8			UR GREEN
6	B7N-11631-00	PISTON (STD)	3			
7	BME-11603-00	PISTON RING SET (STD)	3			
8	39P-11633-00	PIN, PISTON	3			
9	93450-18157	CIRCLIP	6			
10	90280-05029	KEY, WOODRUFF	1			
11	90105-12032	BOLT, FLANGE	1			
12	90201-12008	WASHER, PLATE	1			
13	1RC-11500-01	BALANCER ASSY	1			
14	2S3-11413-00	METAL, BALANCE WEIGHT	4			UR BLUE
	2S3-11413-10	METAL, BALANCE WEIGHT	4			UR BLACK
	2S3-11413-20	METAL, BALANCE WEIGHT	4			UR BROWN
	2S3-11413-30	METAL, BALANCE WEIGHT	4			UR GREEN
	2S3-11413-40	METAL, BALANCE WEIGHT	4			UR YELLOW




 B7N1300DW030

FIG. 4 VALVE

REF. NO.	PART NO.	DESCRIPTION	BWF1				REMARKS
1	1RC-12111-01	VALVE, INTAKE	6				
2	1RC-12121-01	VALVE, EXHAUST	6				
3	3D7-12116-00	SEAT, VALVE SPRING	12				
4	BFD-12113-00	SPRING, VALVE INNER	6				
5	BFD-12114-00	SPRING, VALVE OUTER	6				
6	3D7-12117-00	RETAINER, VALVE SPRING	12				
7	1WG-12118-00	LOCK, VALVE SPRING RETAINER	24				
8	2HC-12119-00	SEAL, VALVE STEM	12				
9	1HX-12168-F0	PAD, ADJUSTING 2 (1.50)	12				UR
	1HX-12168-H1	PAD, ADJUSTING 2 (1.55)	12				UR
	1HX-12168-K1	PAD, ADJUSTING 2 (1.60)	12				UR
	1HX-12168-M1	PAD, ADJUSTING 2 (1.65)	12				UR
	1HX-12168-R1	PAD, ADJUSTING 2 (1.70)	12				UR
	1HX-12168-U1	PAD, ADJUSTING 2 (1.75)	12				UR
	1HX-12168-W1	PAD, ADJUSTING 2 (1.80)	12				UR
	1HX-12168-Y1	PAD, ADJUSTING 2 (1.85)	12				UR
	1HX-12169-11	PAD, ADJUSTING 2 (1.90)	12				UR
	1HX-12169-31	PAD, ADJUSTING 2 (1.95)	12				UR
	1HX-12169-50	PAD, ADJUSTING 2 (2.00)	12				UR
	1HX-12169-70	PAD, ADJUSTING 2 (2.05)	12				UR
	1HX-12169-90	PAD, ADJUSTING 2 (2.10)	12				UR
	1HX-12169-E0	PAD, ADJUSTING 2 (2.15)	12				UR
	1HX-12169-G0	PAD, ADJUSTING 2 (2.20)	12				UR
	1HX-12169-J0	PAD, ADJUSTING 2 (2.25)	12				UR
	1HX-12169-L0	PAD, ADJUSTING 2 (2.30)	12				UR
	1HX-12169-N0	PAD, ADJUSTING 2 (2.35)	12				UR
	1HX-12169-T0	PAD, ADJUSTING 2 (2.40)	12				UR

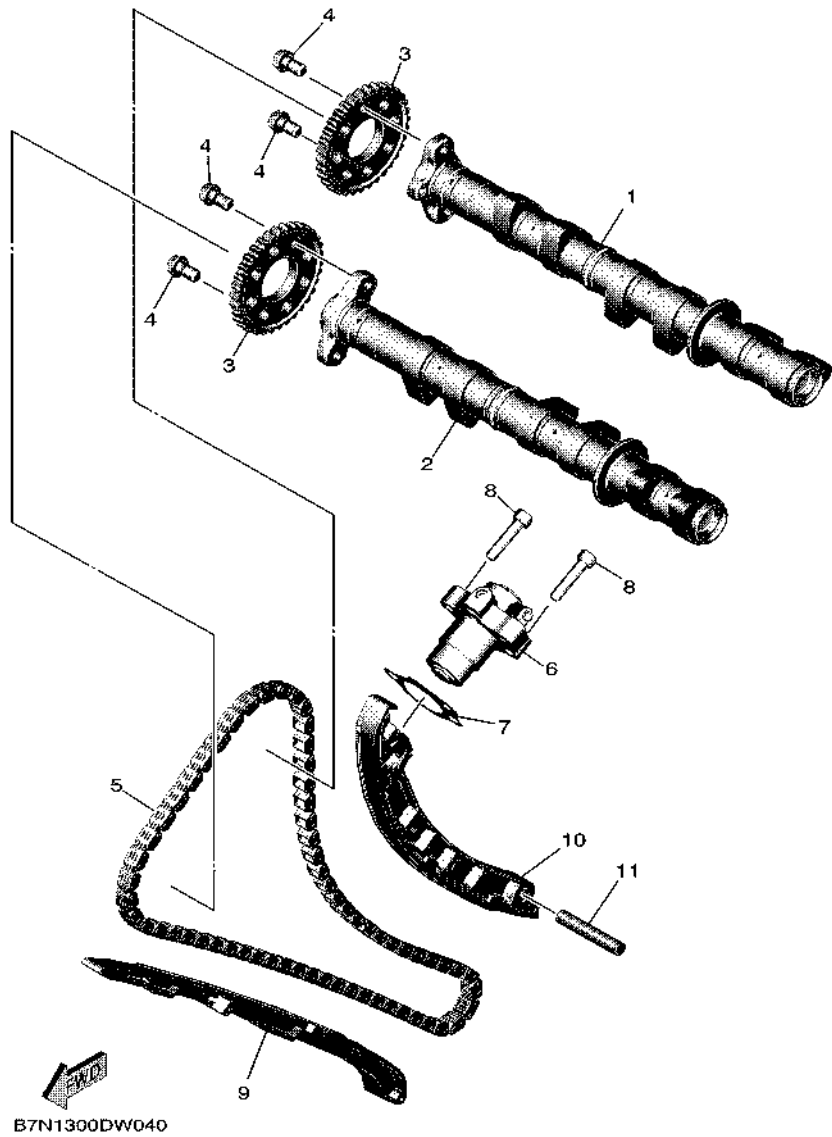
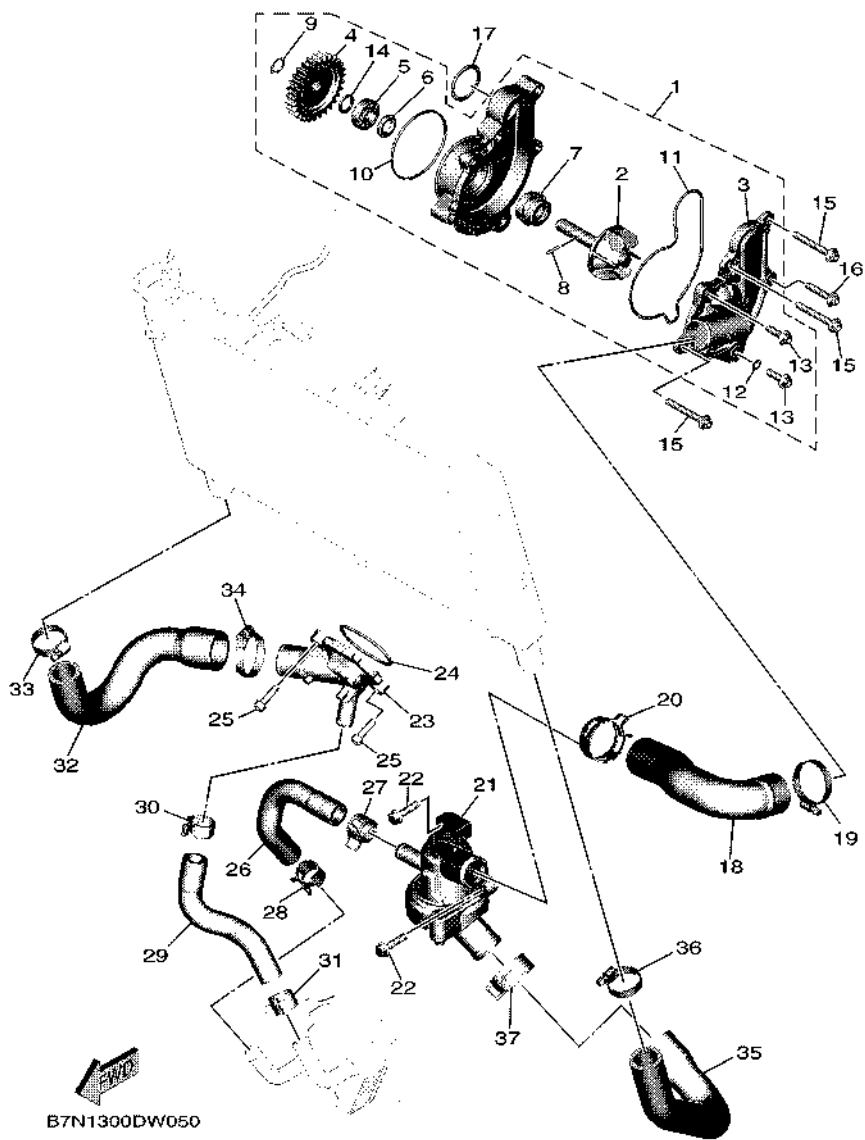


FIG. 5 CAMSHAFT & CHAIN

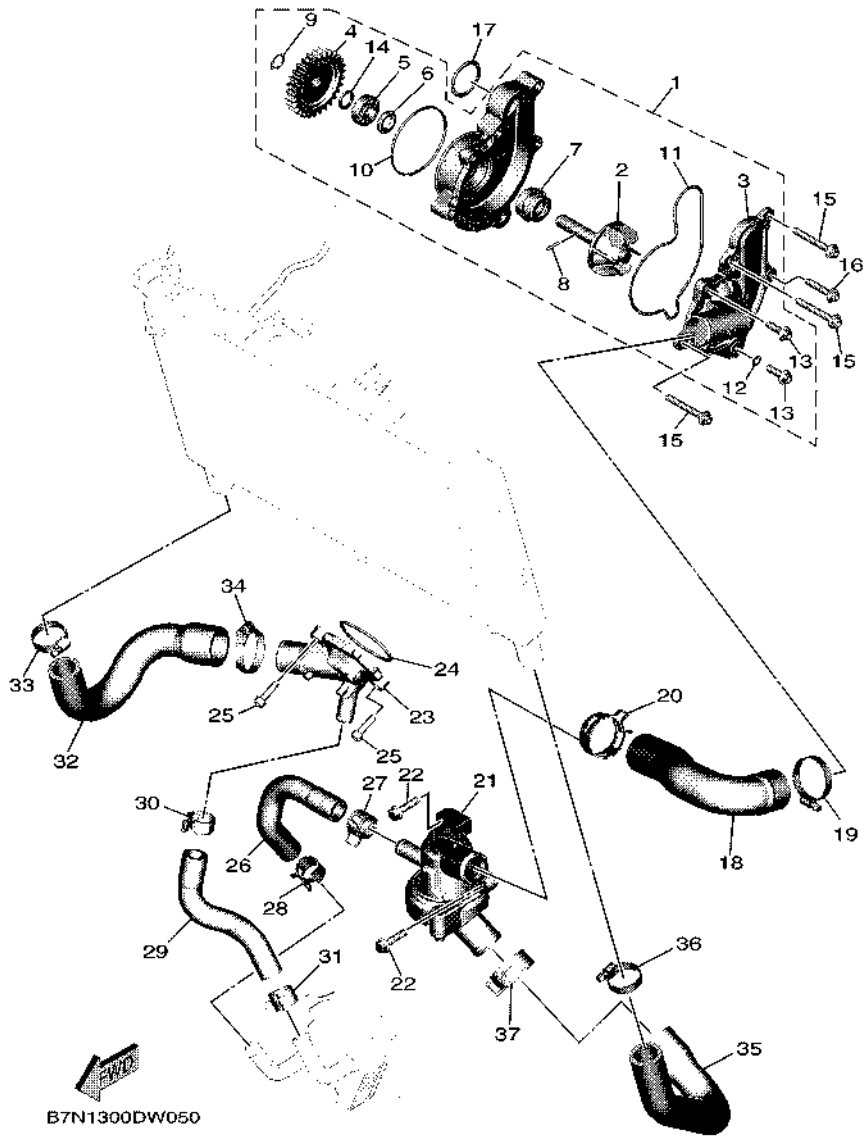
REF. NO.	PART NO.	DESCRIPTION	BWF1				REMARKS
1	B7N-12170-00	CAMSHAFT ASSY 1	1				
2	B7N-12180-00	CAMSHAFT ASSY 2	1				
3	B7N-12176-00	SPROCKET, CAM CHAIN	2				
4	90105-07006	BOLT, FLANGE	4				
5	94591-78128	CHAIN	1				
6	B7N-12210-01	TENSIONER ASSY, CAM CHAIN	1				
7	14B-12213-00	GASKET, TENSIONER CASE	1				
8	91312-06025	BOLT, HEXAGON SOCKET HEAD	2				
9	1RC-12251-00	DAMPER, CHAIN 1	1				
10	B7N-12250-00	CHAIN DAMPER ASSY	1				
11	93607-44002	PIN, DOWEL	1				

FIG. 6 WATER PUMP



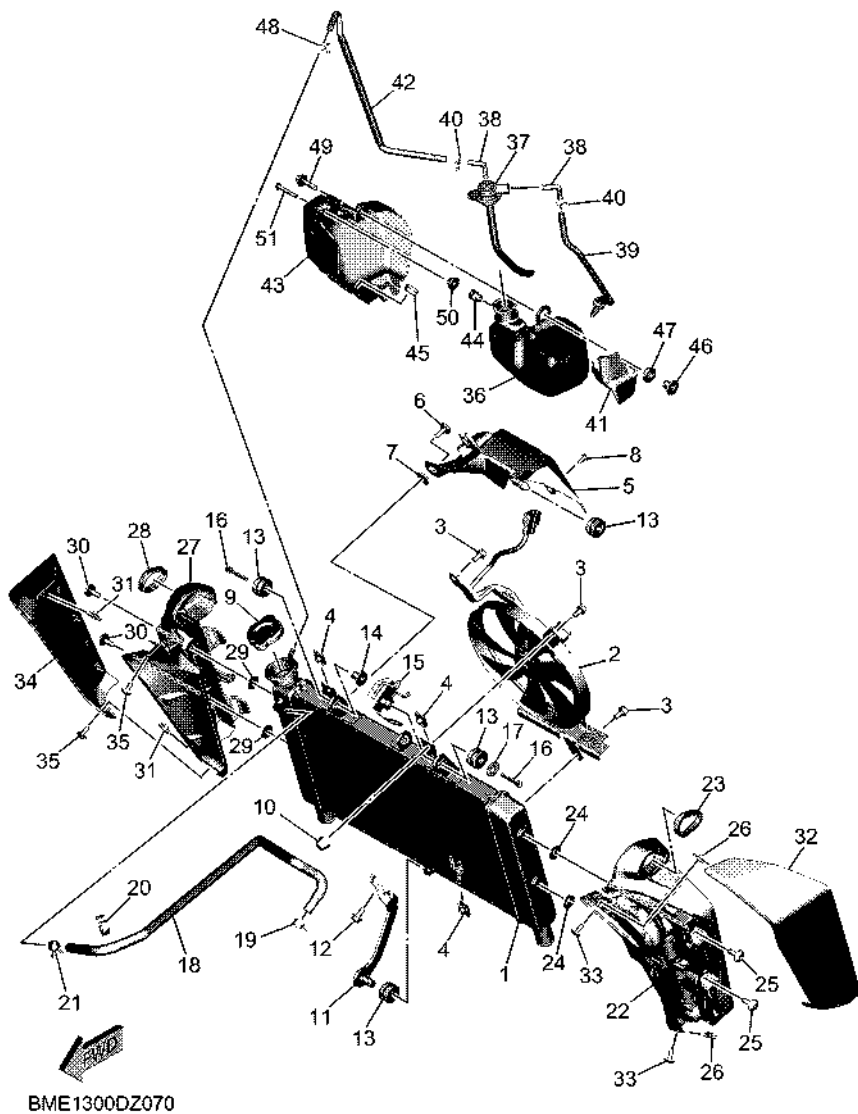
REF. NO.	PART NO.	DESCRIPTION	BWF1				REMARKS
1	B7N-12420-00	WATER PUMP ASSY	1				
2	1RC-12450-10	.IMPELLER SHAFT ASSY	1				
3	B7N-12422-00	.COVER, HOUSING	1				
4	1RC-12459-00	.GEAR, IMPELLER SHAFT	1				
5	93306-00106	.BEARING	1				
6	93101-12173	.OIL SEAL	1				
7	5VK-12438-00	.SEAL, MECHANICAL	1				
8	1RC-1319L-10	.PIN, STRAIGHT	1				
9	99009-12400	.CIRCLIP	1				
10	93210-61750	.O-RING	1				
11	1RC-12439-00	.O-RING	1				
12	90430-06014	.GASKET	1				
13	90110-06396	.BOLT, HEXAGON SOCKET HEAD	2				
14	90201-12541	.WASHER, PLATE	1				
15	90110-06394	BOLT, HEXAGON SOCKET HEAD	3				
16	90110-06388	BOLT, HEXAGON SOCKET HEAD	1				
17	93210-30694	O-RING	1				
18	1RC-12577-00	HOSE 2	1				
19	90450-38040	HOSE CLAMP ASSY	1				
20	90467-310A0	CLIP	1				
21	B7N-12410-00	THERMOSTAT ASSY	1				
22	95822-06025	BOLT, FLANGE	2				
23	1RC-12469-00	JOINT 1	1				
24	93210-46044	O-RING	1				
25	90110-06175	BOLT, HEXAGON SOCKET HEAD	2				
26	BS2-12578-00	HOSE 3	1				
27	90467-21068	CLIP	1				

FIG. 6 WATER PUMP



REF. NO.	PART NO.	DESCRIPTION	BWF1				REMARKS
28	90467-200A0	CLIP	1				
29	BS2-12579-00	HOSE 4	1				
30	90467-22002	CLIP	1				
31	90467-200A0	CLIP	1				
32	B7N-12588-00	HOSE 5	1				
33	90450-32003	HOSE CLAMP ASSY	1				
34	90450-38040	HOSE CLAMP ASSY	1				
35	B7N-12576-00	HOSE 1	1				
36	90450-32003	HOSE CLAMP ASSY	1				
37	90467-310A0	CLIP	1				

FIG. 7 RADIATOR & HOSE



REF. NO.	PART NO.	DESCRIPTION	BWF1				REMARKS
1	BME-12461-00	RADIATOR COMP	1				
2	BME-12405-01	BLOWER ASSY	1				
3	5GJ-12675-00	BOLT, BLOWER HOLDING	3				
4	5YP-E2671-00	NUT 1	3				
5	B7N-12467-00	COVER, RADIATOR	1				
6	90111-06161	BOLT, HEXAGON SOCKET BUTTON	1				
7	90387-07717	COLLAR	1				
8	90269-05005	RIVET	1				
9	5SL-12462-01	CAP, RADIATOR	1				
10	663-45119-01	CAP, GREASE NIPPLE	1				
11	B7N-12638-01	STAY 2	1				
12	95D32-06012	BOLT, FLANGE DEEP RECESS	1				
13	90480-15363	GROMMET	4				
14	90387-063E6	COLLAR	1				
15	BME-26132-00	GUIDE, CABLE 2	1				
16	91317-06030	BOLT, HEXAGON SOCKET HEAD	2				
17	90201-06071	WASHER, PLATE	1				
18	B7N-1243A-00	HOSE 1	1				
19	90467-10039	CLIP	1				
20	90464-16003	CLAMP	1				
21	90467-10039	CLIP	1				
22	BME-2175T-00	BRACKET 1	1				
23	B7N-83321-00	DAMPER, FLASHER 1	1				
24	90387-06382	COLLAR	2				
25	90111-06161	BOLT, HEXAGON SOCKET BUTTON	2				
26	90183-05076	NUT, SPRING	2				
27	BME-2175U-00	BRACKET 2	1				

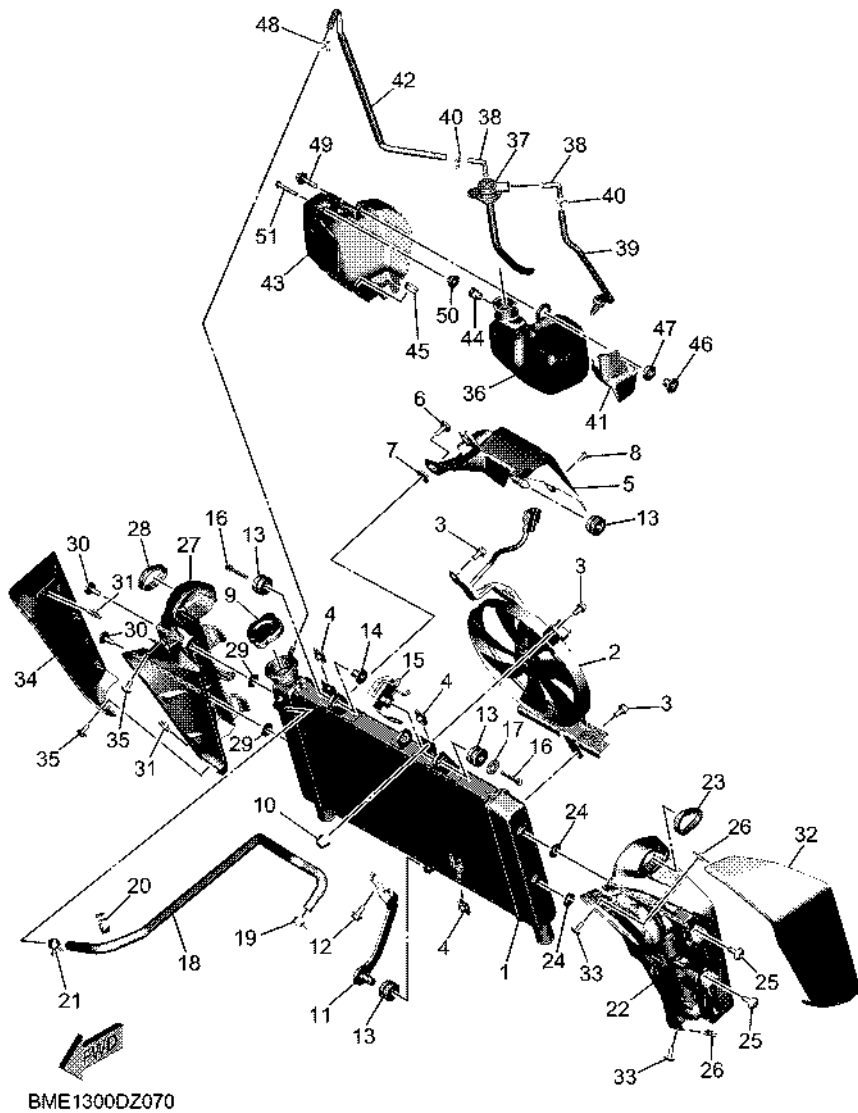
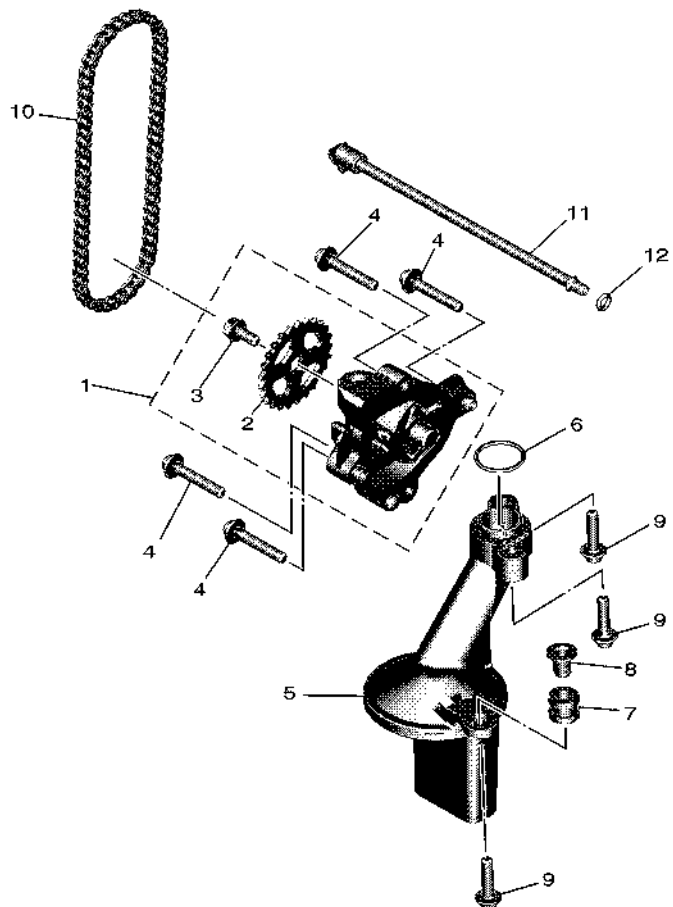


FIG. 7 RADIATOR & HOSE

REF. NO.	PART NO.	DESCRIPTION	BWF1				REMARKS
28	B7N-83321-00	DAMPER, FLASHER 1	1				
29	90387-06382	COLLAR	2				
30	90111-06161	BOLT, HEXAGON SOCKET BUTTON	2				
31	90183-05076	NUT, SPRING	2				
32	BME-2171E-00	COVER, SIDE 5	1				
33	90111-05002	BOLT, HEXAGON SOCKET BUTTON	2				
34	BME-2171X-00	COVER, SIDE 6	1				
35	90111-05002	BOLT, HEXAGON SOCKET BUTTON	2				
36	1RC-21871-00	TANK, RECOVERY	1				
37	B7N-21875-00	CAP	1				
38	1RC-21828-00	ELBOW	2				
39	B7N-21826-00	PIPE, BREATHER	1				
40	90467-08075	CLIP	2				
41	B7N-22825-00	PROTECTOR 1	1				
42	B7N-21816-00	PIPE 1	1				
43	1RC-2172W-00	COVER	1				
44	90179-05523	NUT	1				
45	90480-13203	GROMMET	1				
46	90387-06285	COLLAR	1				
47	1RC-21749-00	COLLAR	1				
48	90467-08075	CLIP	1				
49	90110-06434	BOLT, HEXAGON SOCKET HEAD	1				
50	1RC-21748-00	COLLAR	1				
51	92012-05030	BOLT, BUTTON HEAD	1				

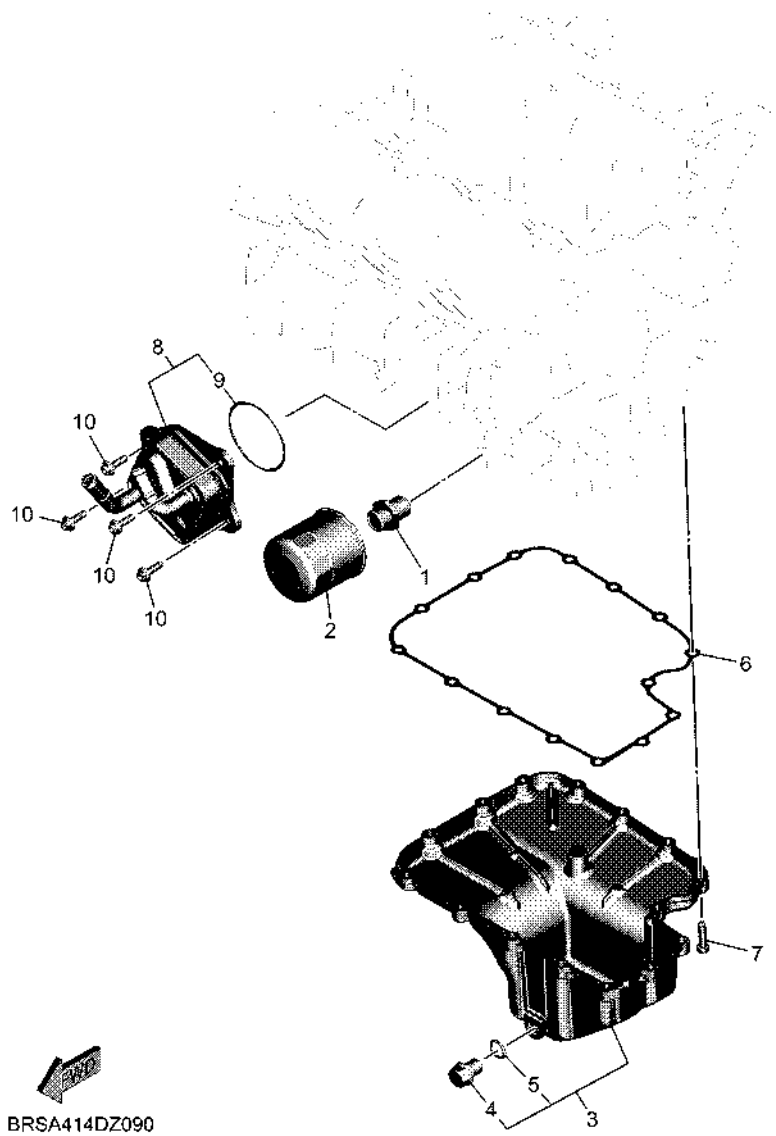
FIG. 8 OIL PUMP




 B7N1300DW070

REF. NO.	PART NO.	DESCRIPTION	BWF1				REMARKS
1	B7N-13300-00	OIL PUMP ASSY	1				
2	1RC-13355-00	.SPROCKET, DRIVEN	1				
3	90105-06066	.BOLT, FLANGE	1				
4	90110-06432	BOLT, HEXAGON SOCKET HEAD	4				
5	B7N-13410-00	STRAINER HOUSING ASSY	1				
6	93210-22001	O-RING	1				
7	90480-13010	GROMMET	1				
8	5VY-13117-10	COLLAR, DISTANCE	1				
9	90110-06173	BOLT, HEXAGON SOCKET HEAD	3				
10	94581-79066	CHAIN (DID 25H)	1				
11	B7N-1316E-00	PIPE, DELIVERY 5	1				
12	93210-06667	O-RING	1				

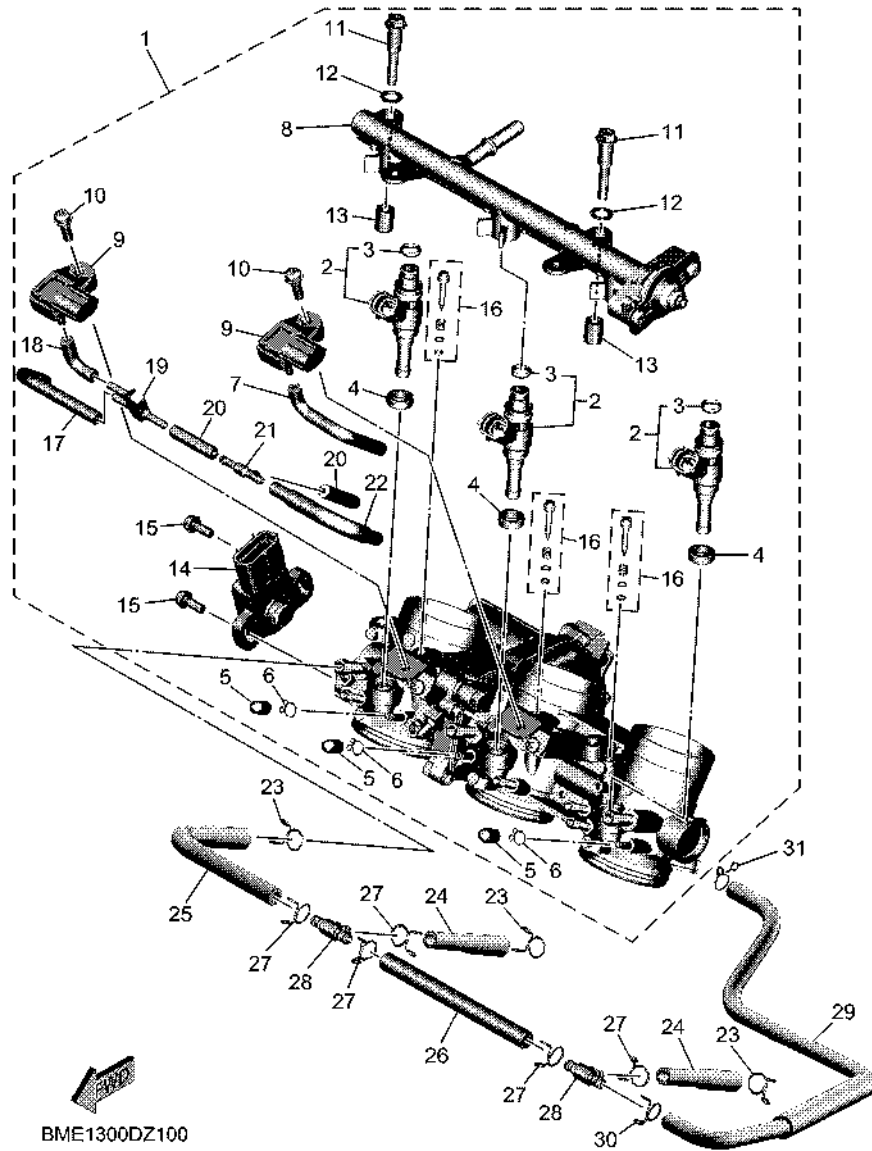
FIG. 9 OIL CLEANER



BRSA414DZ090

REF. NO.	PART NO.	DESCRIPTION	BWF1				REMARKS
1	BME-12858-00	BOLT, UNION	1				
2	5GH-13440-90	ELEMENT ASSY, OIL CLEANER	1				
3	B7N-13400-01	STRAINER COVER ASSY	1				
4	90340-14132	.PLUG, STRAIGHT SCREW	1				
5	214-11198-01	.GASKET	1				
6	B7N-13414-01	GASKET, STRAINER COVER	1				
7	90110-06390	BOLT, HEXAGON SOCKET HEAD	15				
8	BS2-13470-10	OIL COOLER ASSY	1				
9	2HC-13473-00	.O-RING	1				
10	90110-06164	BOLT, HEXAGON SOCKET HEAD	4				

FIG. 10 INTAKE



REF. NO.	PART NO.	DESCRIPTION	BWF1				REMARKS
1	BME-13750-00	THROTTLE BODY ASSY	1				
2	B7N-13761-00	.INJECTOR	3				
3	5PS-14147-00	.O-RING	1				
4	8FP-13556-00	.RUBBER, INJECTOR	3				
5	895-14169-00	.CAP	3				
6	8A7-14139-00	.CLIP, PIPE	3				
7	68V-13533-00	.HOSE, VACUUM SENSING 4	1				
8	B7N-13930-00	.PIPE INLET ASSEMBLY	1				
9	1WS-82380-00	.SENSOR, PRESSURE	2				
10	2C0-14216-00	.SCREW	2				
11	8HG-13573-00	.BOLT 1	2				
12	8GL-13571-00	.WASHER	2				
13	8HG-14534-00	.COLLAR	2				
14	B3L-85885-01	.THROTTLE SENSOR ASSY	1				
15	8CC-14216-10	.SCREW	2				
16	2C0-14105-00	.PILOT SCREW SET	3				
17	5FL-14348-00	.PIPE 1	1				
18	8FP-14349-00	.PIPE	1				
19	3XV-14251-00	.NIPPLE	1				
20	5FL-14348-10	.PIPE 1	2				
21	68V-24376-00	.PIPE, JOINT 1	1				
22	B7N-13542-00	.HOSE, VACUUM SENSING 1	1				
23	90467-11106	CLIP	3				
24	BME-14465-00	PIPE	2				
25	BME-14466-00	PIPE	1				
26	90445-10007	HOSE (L110)	1				
27	90467-100A1	CLIP	5				

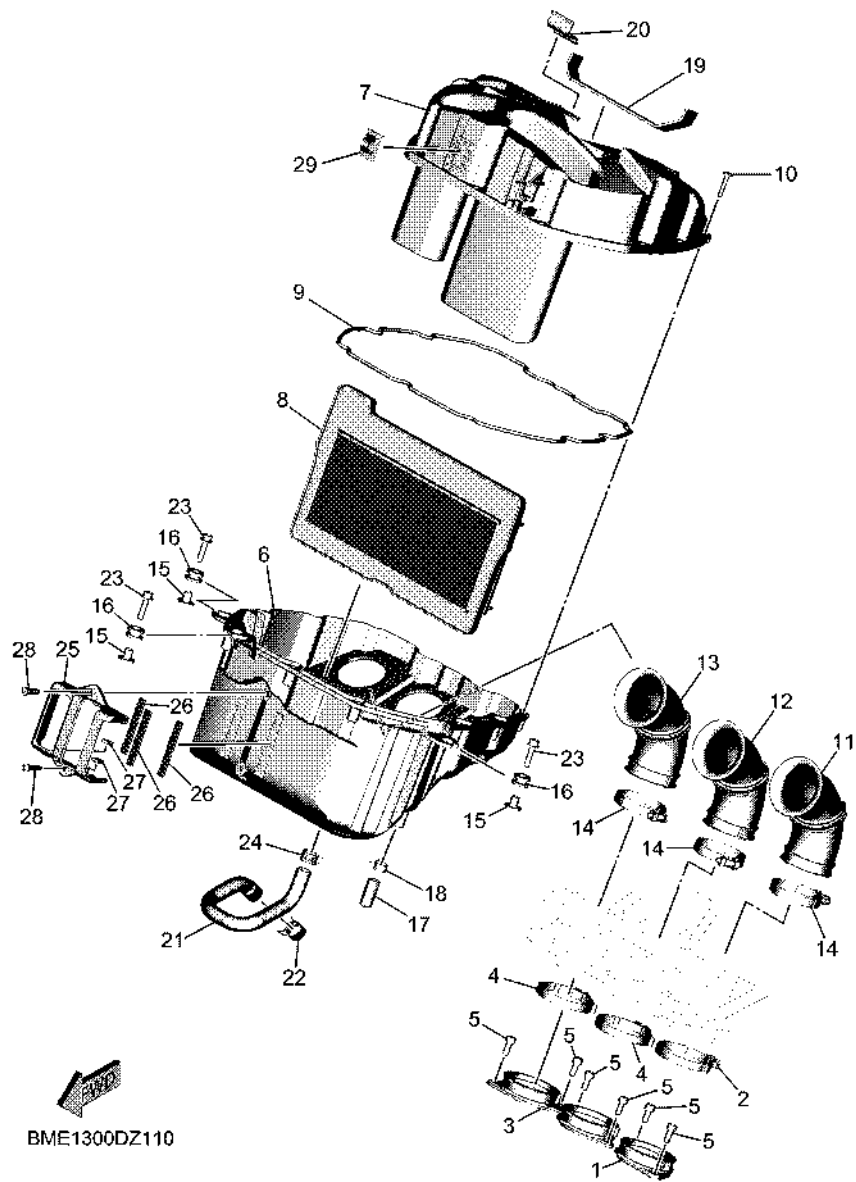
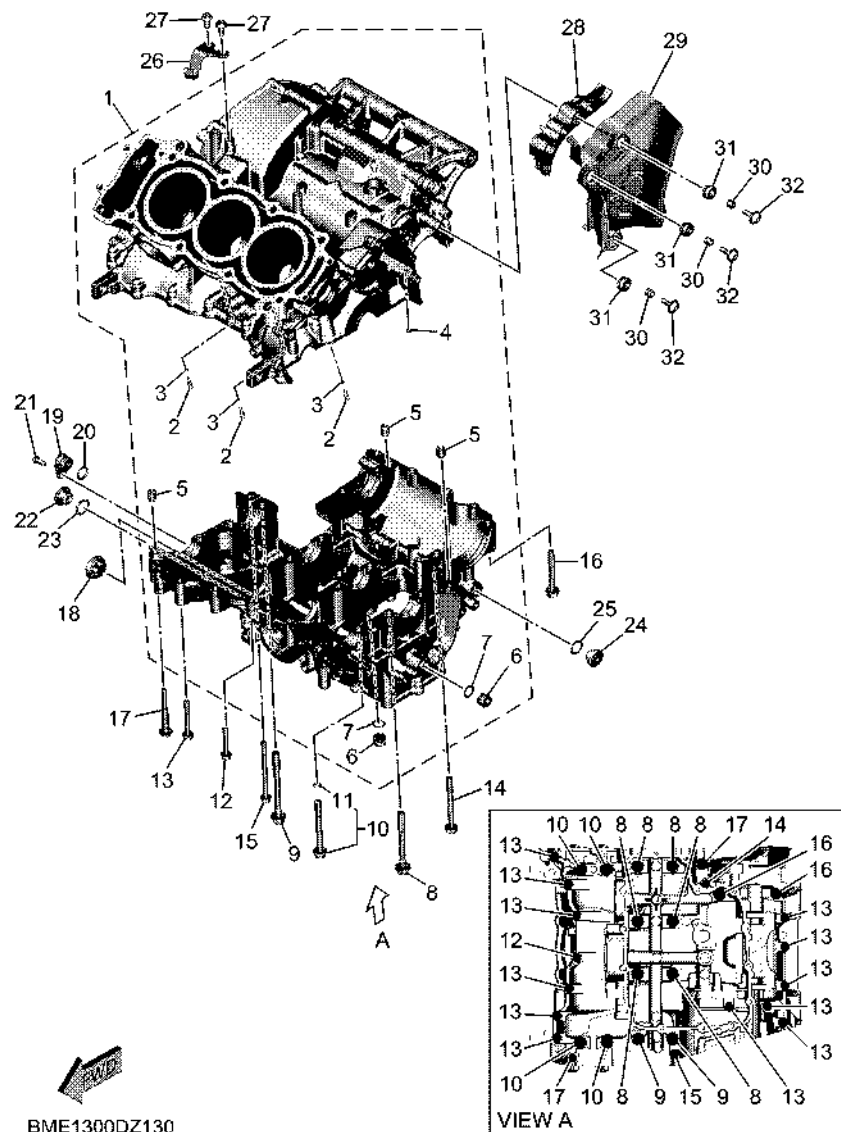


FIG. 11 INTAKE 2

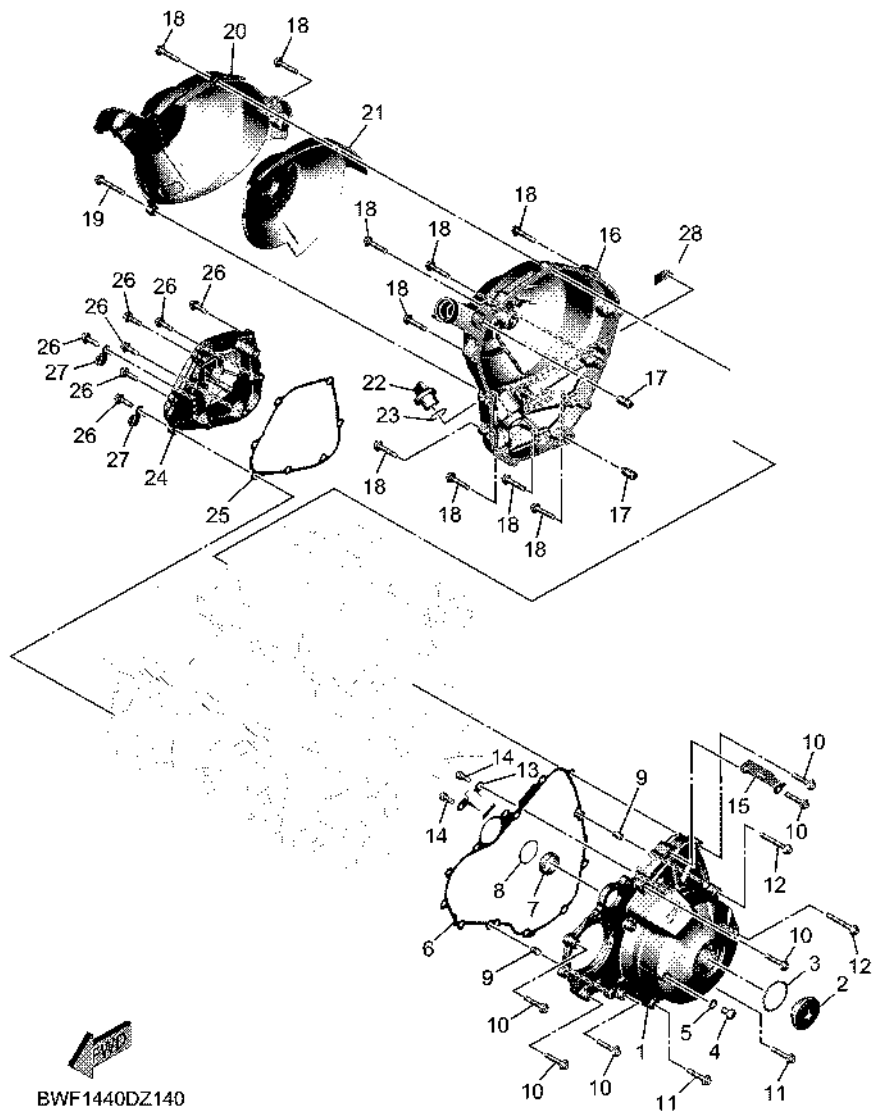
REF. NO.	PART NO.	DESCRIPTION	BWF1				REMARKS
1	B7N-13635-00	JOINT, INTAKE 1	1				
2	90450-58008	HOSE CLAMP ASSY	1				
3	B7N-13636-00	JOINT, INTAKE 2	1				
4	90450-58008	HOSE CLAMP ASSY	2				
5	90110-06168	BOLT, HEXAGON SOCKET HEAD	6				
6	BME-14411-00	CASE, AIR CLEANER 1	1				
7	BME-14421-00	CASE, AIR CLEANER 2	1				
8	BME-14451-00	ELEMENT, AIR CLEANER	1				
9	BME-14452-00	SEAL	1				
10	90160-05013	SCREW, ROUND TAPPING	10				
11	B7N-14453-00	JOINT, AIR CLEANER 1	1				
12	B7N-14463-00	JOINT, AIR CLEANER 2	1				
13	B7N-14454-00	JOINT	1				
14	90450-53007	HOSE CLAMP ASSY	3				
15	90387-06205	COLLAR	3				
16	90480-12314	GROMMET	3				
17	1WS-1443E-00	PIPE, DRAIN	1				
18	90467-13083	CLIP	1				
19	B7N-14425-00	DAMPER 1	1				
20	B7N-14426-01	DAMPER 2	1				
21	B7N-15393-00	PIPE, BREATHER 2	1				
22	90467-17003	CLIP	1				
23	90110-06232	BOLT, HEXAGON SOCKET HEAD	3				
24	90467-15001	CLIP	1				
25	BME-14417-00	COVER 1	1				
26	90520-03022	DAMPER, PLATE	3				
27	90520-03021	DAMPER, PLATE	2				

FIG. 13 CRANKCASE

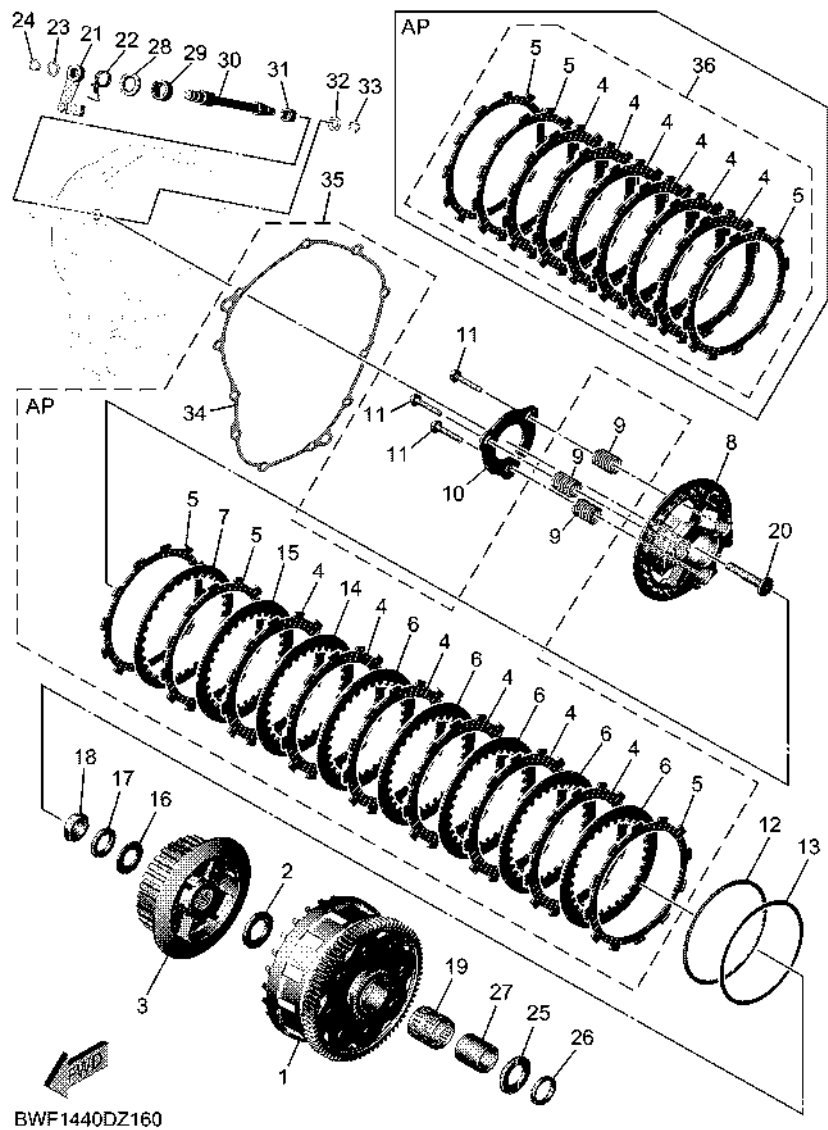


REF. NO.	PART NO.	DESCRIPTION	BWF1	REMARKS
1	B7N-15100-29	CRANKCASE ASSY	1	MDNM9
2	5EB-15155-00	.NOZZLE 3	3	
3	93210-04092	.O-RING	3	
4	B7N-15138-00	.NOZZLE 1	1	
5	99530-10014	.PIN, DOWEL	3	
6	BME-15189-00	.PLUG	2	
7	93210-12790	.O-RING	2	
8	90119-09013	BOLT, WITH WASHER	6	
9	90119-09010	BOLT, WITH WASHER	2	
10	23P-15156-00	BOLT, CRANKCASE JOURNAL	4	
11	93210-07540	.O-RING	1	
12	95812-06040	BOLT, FLANGE	1	
13	95812-06050	BOLT, FLANGE	12	
14	95812-06065	BOLT, FLANGE	1	
15	90105-06202	BOLT, FLANGE	1	
16	95812-08060	BOLT, FLANGE	2	
17	90109-06100	BOLT	2	
18	2H7-15361-00	GAUGE, LEVEL	1	
19	2CR-15319-02	JOINT	1	
20	93210-13657	O-RING	1	
21	90149-06068	SCREW	1	
22	36Y-15189-01	PLUG	1	
23	93210-16325	O-RING	1	
24	90340-14011	PLUG, STRAIGHT SCREW	1	
25	93210-14369	O-RING	1	
26	B7N-15441-00	HOLDER, CLUTCH CABLE	1	
27	90110-06431	BOLT, HEXAGON SOCKET HEAD	2	

FIG. 14 CRANKCASE COVER



REF. NO.	PART NO.	DESCRIPTION	BWF1			REMARKS
1	BME-15411-00	COVER, CRANKCASE 1	1			MDNM9
2	90340-36008	PLUG, STRAIGHT SCREW	1			
3	93210-357A3	O-RING	1			
4	92017-08012	BOLT, BUTTON HEAD	1			
5	90430-08143	GASKET	1			
6	BD5-15451-01	GASKET, CRANKCASE COVER 1	1			
7	1RC-12564-00	PIPE, WATER	1			
8	93210-28543	O-RING	1			
9	99530-08012	PIN, DOWEL	2			
10	90110-06388	BOLT, HEXAGON SOCKET HEAD	6			
11	90110-06389	BOLT, HEXAGON SOCKET HEAD	2			
12	90110-06394	BOLT, HEXAGON SOCKET HEAD	2			
13	1RC-15484-00	CLAMP 2	1			
14	90110-06168	BOLT, HEXAGON SOCKET HEAD	2			
15	B7N-14867-00	BRACKET	1			
16	B7N-15421-00	COVER, CRANKCASE 2	1			MDNM9
17	93610-20189	PIN, DOWEL	2			
18	90110-06388	BOLT, HEXAGON SOCKET HEAD	10			
19	90110-06321	BOLT, HEXAGON SOCKET HEAD	1			
20	B7N-15499-00	PROTECTOR, COVER	1			
21	B7N-15789-00	DAMPER	1			
22	5GJ-15363-10	PLUG, OIL	1			
23	93210-19123	O-RING	1			
24	B7N-15416-00	COVER, OIL PUMP	1			MDNM9
25	B7N-15456-01	GASKET, OIL PUMP COVER 1	1			
26	90110-06396	BOLT, HEXAGON SOCKET HEAD	7			
27	BME-15484-00	CLAMP 2	2			



BWF1440DZ160

FIG. 16 CLUTCH

REF. NO.	PART NO.	DESCRIPTION	BWF1		REMARKS
1	B7N-16150-00	PRIMARY DRIVEN GEAR COMP.	1		
2	363-16154-00	PLATE, THRUST 1	1		
3	B7N-16371-00	BOSS, CLUTCH	1		
4	B7N-16321-00	PLATE, FRICTION	6		
5	B90-16331-00	PLATE, FRICTION 2	3		
6	5VY-16325-10	PLATE, CLUTCH 2	5		(T2.0)
7	1TD-16324-00	PLATE, CLUTCH 1	1		(T2.3)
8	B7N-16350-00	PRESSURE PLATE ASSY	1		
9	B7N-16173-00	SPRING, COMPRESSION	3		
10	B90-16352-00	PLATE, PRESSURE 2	1		
11	2CR-16337-00	SCREW, SPRING	3		
12	1TD-16383-01	SPRING, CUSHION	1		
13	1TD-16384-00	PLATE, SEAT	1		
14	4B1-16325-00	PLATE, CLUTCH 2	1		UR (T2.3)
	BR9-16324-10	PLATE, CLUTCH 1	1		UR (T1.6)
	5VY-16325-10	PLATE, CLUTCH 2	1		UR (T2.0)
15	4B1-16325-00	PLATE, CLUTCH 2	1		UR (T2.3)
	BR9-16324-10	PLATE, CLUTCH 1	1		UR (T1.6)
	5VY-16325-10	PLATE, CLUTCH 2	1		UR (T2.0)
16	90201-20030	WASHER, PLATE	1		
17	90208-20001	WASHER, CONICAL SPRING	1		
18	90179-20010	NUT	1		
19	93310-33277	BEARING	1		
20	B7N-16356-00	ROD, PUSH 1	1		
21	1RC-16340-01	PUSH LEVER ASSY	1		
22	90508-18051	SPRING, TORSION	1		
23	90201-10029	WASHER, PLATE	1		

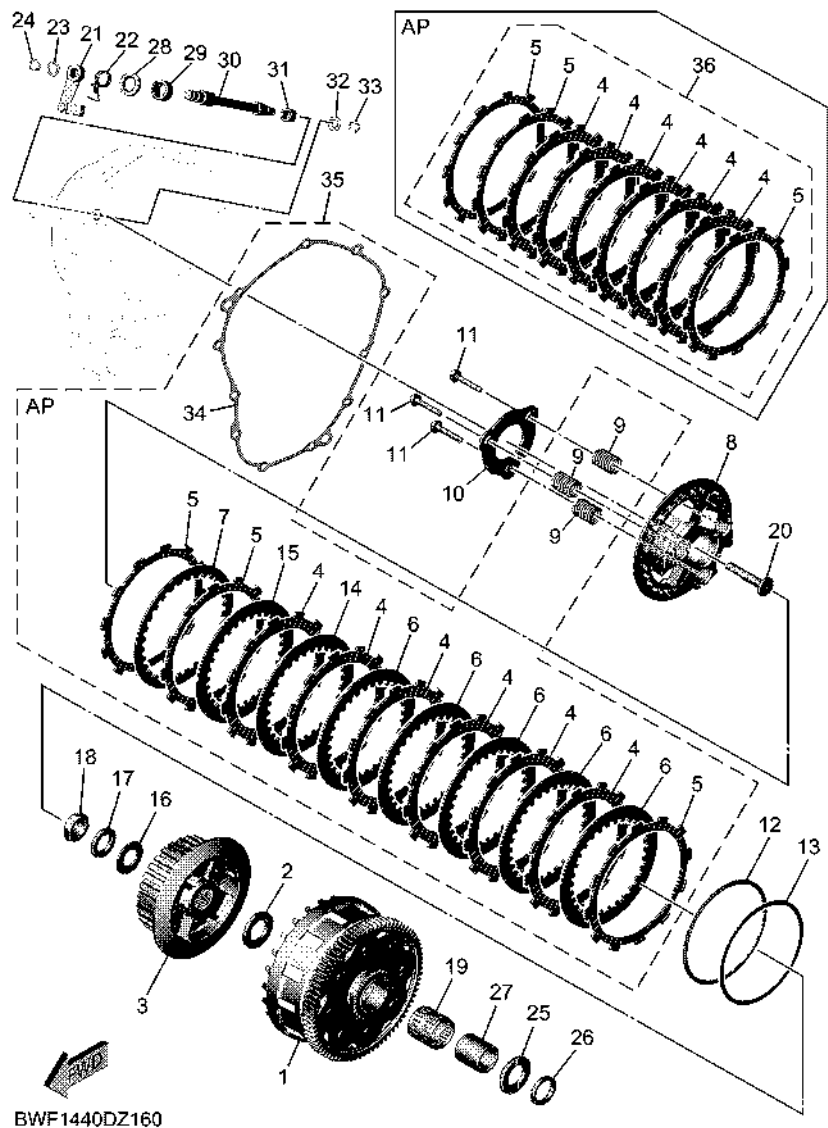


FIG. 16 CLUTCH

REF. NO.	PART NO.	DESCRIPTION	BWF1				REMARKS
24	99009-10400	CIRCLIP	1				
25	B7N-16164-00	PLATE, THRUST 2	1				
26	2C0-16164-00	PLATE, THRUST 2	1				
27	1RC-16181-00	SPACER 1	1				
28	93102-15212	OIL SEAL	1				
29	93315-21570	BEARING	1				
30	5VY-16382-10	AXLE, PUSH LEVER	1				
31	93317-11096	BEARING	1				
32	92907-08600	WASHER, PLATE	1				
33	99001-07600	CIRCLIP	1				
34	B7N-15461-01	GASKET, CRANKCASE COVER 2	1				
35	B7N-W001G-01	CLUTCH PLATE KIT	1				AP
36	B7N-W001M-00	FRICTION PLATE KIT	1				AP

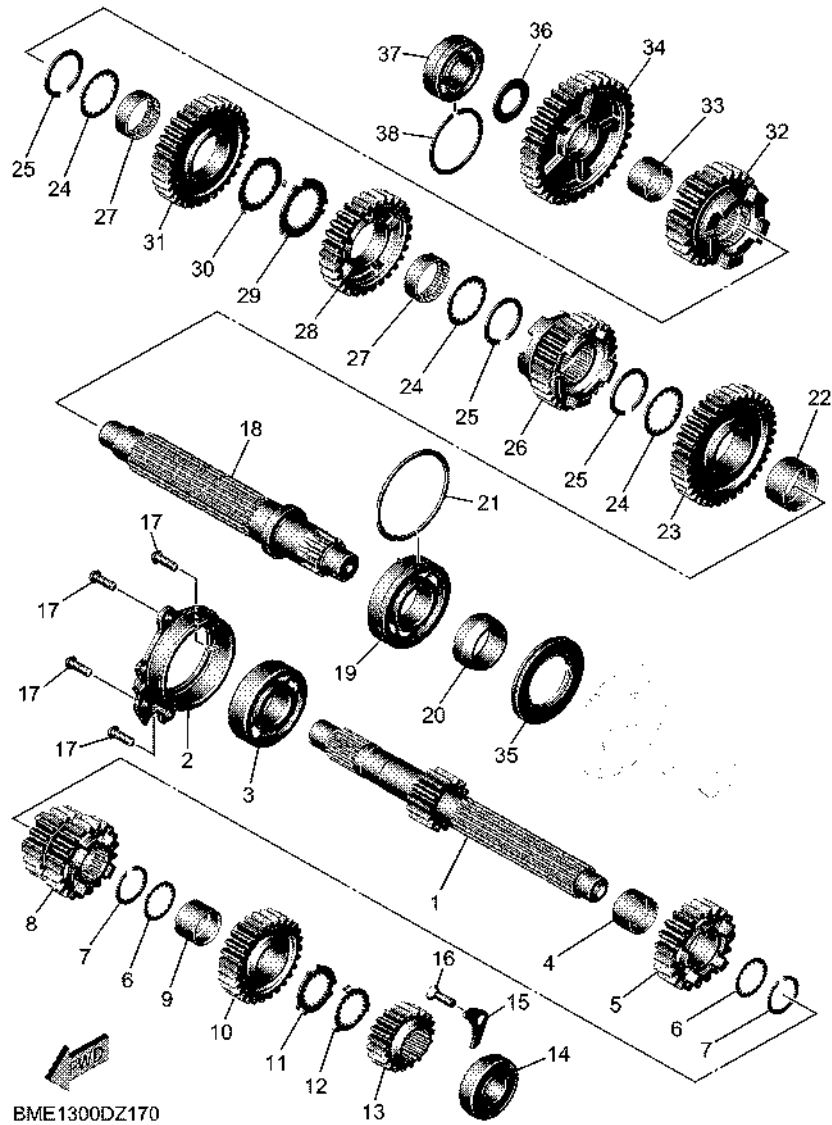


FIG. 17 TRANSMISSION

REF. NO.	PART NO.	DESCRIPTION	BWF1				REMARKS
1	B7N-17411-01	AXLE, MAIN (14T)	1				
2	B7N-15163-00	HOUSING, BEARING 1	1				
3	93306-30534	BEARING	1				
4	90387-25040	COLLAR	1				
5	BME-17151-00	GEAR, 5TH PINION (21T)	1				
6	90209-22008	WASHER	2				
7	93440-25186	CIRCLIP	2				
8	BME-17131-00	GEAR, 3RD PINION (21T/21T)	1				
9	90387-22006	COLLAR	1				
10	BME-17161-00	GEAR, 6TH PINION (27T)	1				
11	90214-22003	WASHER, CLAW	1				
12	90214-22002	WASHER, CLAW	1				
13	B7N-17121-01	GEAR, 2ND PINION (19T)	1				
14	93306-20487	BEARING	1				
15	B7N-15381-00	PLATE, BEARING COVER	1				
16	90149-06086	SCREW	1				
17	90149-06213	SCREW	4				
18	B7N-17421-01	AXLE, DRIVE	1				
19	93306-20663	BEARING	1				
20	90387-30012	COLLAR	1				
21	93440-64199	CIRCLIP	1				
22	90387-31004	COLLAR	1				
23	B7N-17221-01	GEAR, 2ND WHEEL (37T)	1				
24	90209-28008	WASHER	3				
25	93440-31187	CIRCLIP	3				
26	BME-17261-00	GEAR, 6TH WHEEL (28T)	1				
27	90387-28030	COLLAR	2				

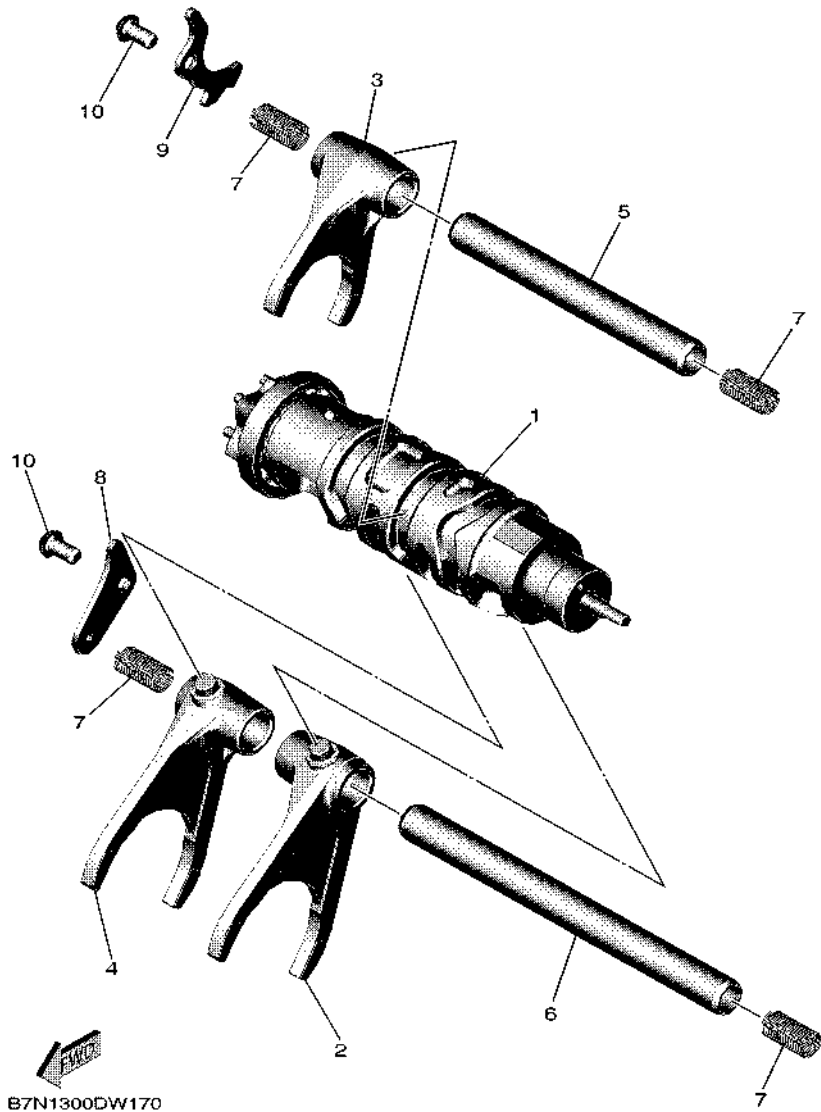


FIG. 18 SHIFT CAM & FORK

REF. NO.	PART NO.	DESCRIPTION	BWF1				REMARKS
1	BME-18540-00	SHIFT CAM ASSY	1				
2	1RC-18511-00	FORK, SHIFT 1	1				
3	1RC-18512-00	FORK, SHIFT 2	1				
4	1RC-18513-00	FORK, SHIFT 3	1				
5	B7N-18531-00	BAR, SHIFT FORK GUIDE 1	1				
6	B7N-18535-00	BAR, SHIFT FORK GUIDE 2	1				
7	90501-080A2	SPRING, COMPRESSION	4				
8	B7N-18536-00	STOPPER, SHIFT BAR	1				
9	B7N-18562-00	PLATE, STOPPER 2	1				
10	90149-06158	SCREW	2				

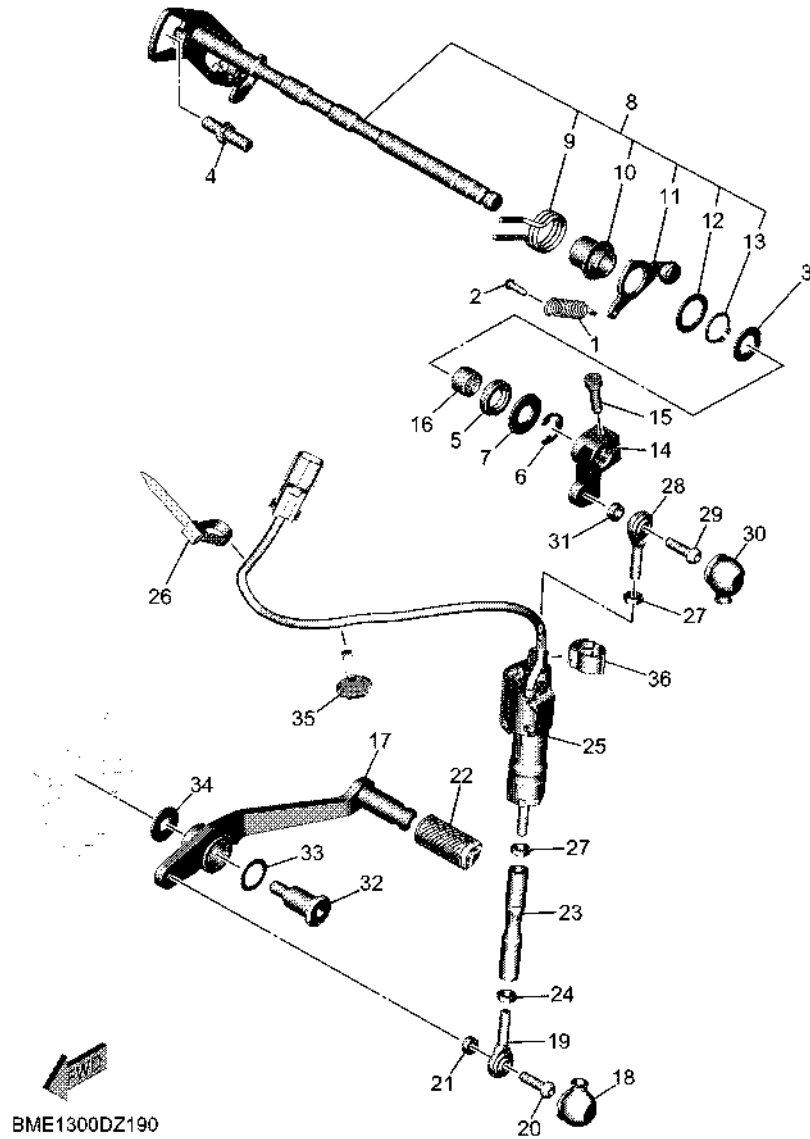
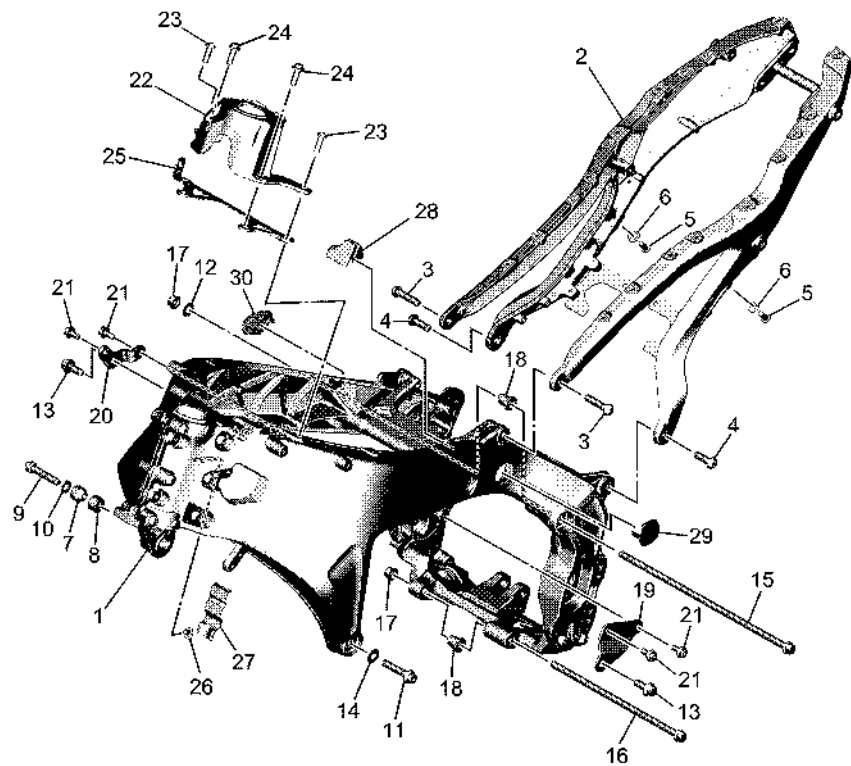


FIG. 19 SHIFT SHAFT

REF. NO.	PART NO.	DESCRIPTION	BWF1			REMARKS
1	B7N-18143-00	SPRING	1			
2	132-16346-00	HOOK, SPRING	1			
3	90201-127E1	WASHER, PLATE	1			
4	1D7-18127-00	STOPPER, SCREW	1			
5	93102-12106	OIL SEAL (SD 12-22-5 HS)	1			
6	99002-10600	CIRCLIP	1			
7	90201-12575	WASHER, PLATE	1			
8	B7N-18101-00	SHIFT SHAFT ASSY	1			
9	90508-32141	.SPRING, TORSION	1			
10	B7N-18175-00	.SPACER	1			
11	B7N-18140-00	.STOPPER LEVER ASSY	1			
12	90201-177G4	.WASHER, PLATE	1			
13	99009-17400	.CIRCLIP	1			
14	B7N-18112-00	ARM, SHIFT	1			
15	91312-06020	BOLT, HEXAGON SOCKET HEAD	1			
16	93317-11295	BEARING	1			
17	BME-18111-00	PEDAL, SHIFT	1			
18	4XV-18154-00	COVER, DUST	1			
19	5LV-18117-00	JOINT, ROD 2	1			
20	90111-06098	BOLT, HEXAGON SOCKET BUTTON	1			
21	90387-06322	COLLAR	1			
22	BME-18113-00	COVER, SHIFT PEDAL	1			
23	B7N-18115-00	ROD, SHIFT	1			
24	90170-06228	NUT (COUNTER CLOCKWISE)	1			
25	BME-82480-00	SHIFT SENSOR ASSY.	1			
26	90464-13077	CLAMP	1			(95.0X7.0)
27	95304-06700	NUT	2			

FIG. 20 FRAME



BME1300DZ200

REF. NO.	PART NO.	DESCRIPTION	BWF1				REMARKS
1	BME-2111B-09	FRAME SUB COMP.	1				
2	BME-21190-09	REAR FRAME COMP.	1				
3	90149-10083	SCREW	2				
4	90149-10082	SCREW	2				
5	92017-08016	BOLT, BUTTON HEAD	2				
6	92907-08200	WASHER	2				
7	2C0-21414-00	BOSS, ENGINE MOUNT	1				
8	5VY-21424-00	BOSS, ENGINE MOUNT	1				
9	91314-10050	BOLT, HEXAGON SOCKET HEAD	1				
10	90201-10013	WASHER, PLATE	1				
11	90110-10043	BOLT, HEXAGON SOCKET HEAD	1				
12	90201-10084	WASHER, PLATE	1				
13	95D37-10025	BOLT, FLANGE DEEP RECESS	2				
14	90201-10075	WASHER, PLATE	1				
15	90105-10487	BOLT, FLANGE	1				
16	90105-10488	BOLT, FLANGE	1				
17	90179-10247	NUT	2				
18	4C8-21495-00	BOLT, ENGINE ADJUSTING	2				
19	B5U-21315-00	STAY, ENGINE 1	1				
20	B5U-21316-00	STAY, ENGINE 2	1				
21	90109-085E2	BOLT	4				
22	BME-2137F-00	STAY 1	1				
23	90109-08246	BOLT	2				
24	90110-08126	BOLT, HEXAGON SOCKET HEAD	2				
25	BME-2137G-00	STAY 2	1				
26	5VX-21289-00	PLUG, BLIND	1				
27	34D-82176-00	DAMPER	1				

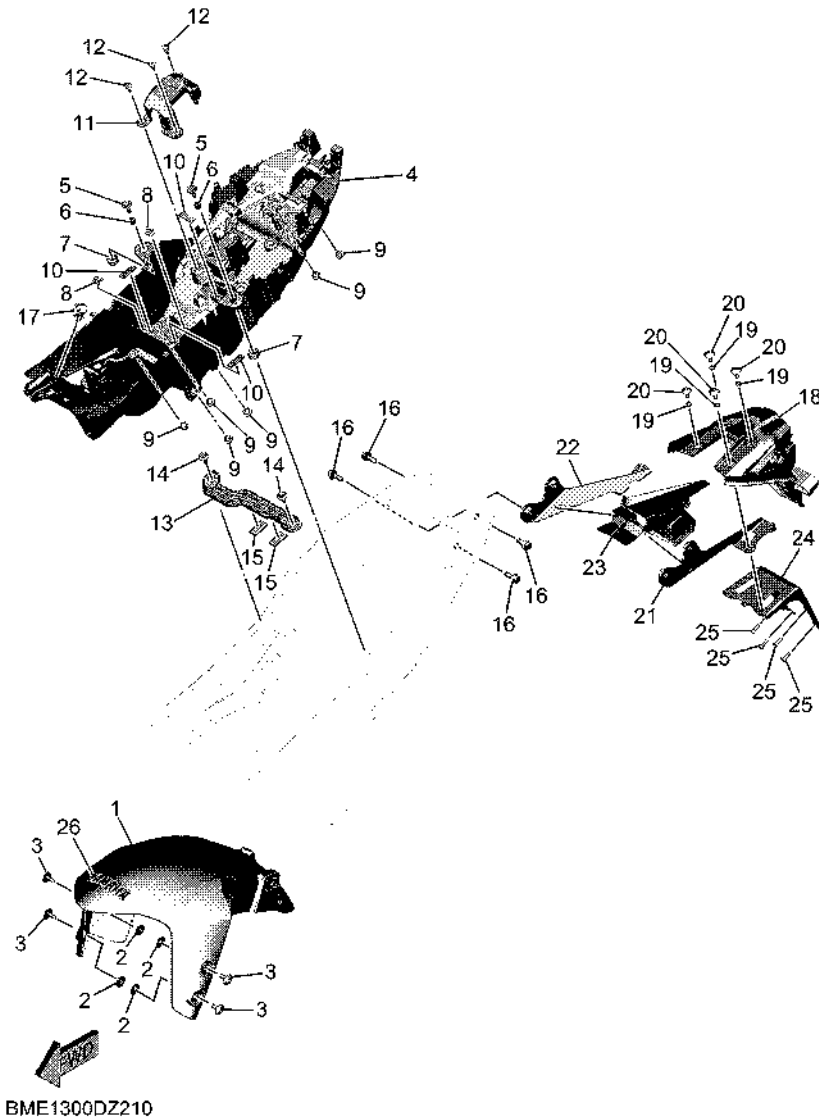
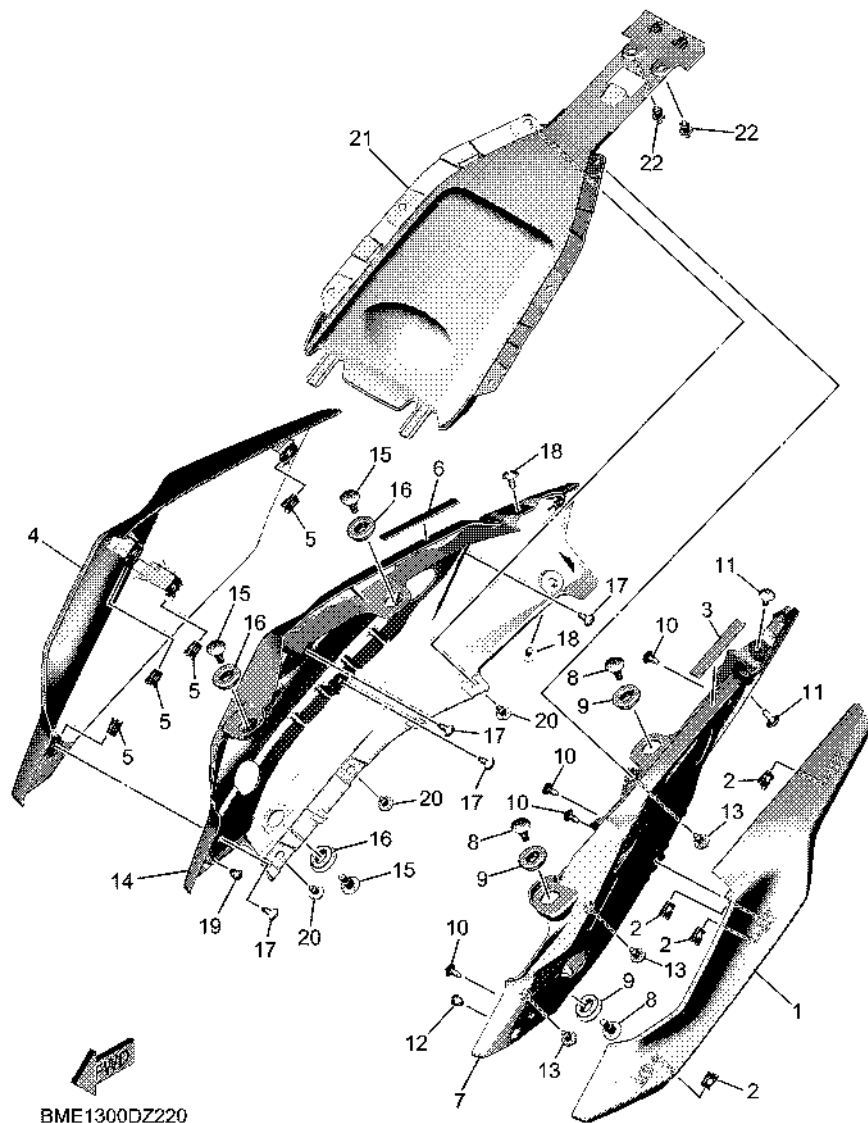


FIG. 21 FENDER

REF. NO.	PART NO.	DESCRIPTION	BWF1				REMARKS
1	B7N-21511-00-P2	FENDER, FRONT	1				UR SMX FOR DBNM8
	B7N-21511-00-P1	FENDER, FRONT	1				UR FOR MDNM6
2	90387-07717	COLLAR	4				
3	90111-06191	BOLT, HEXAGON SOCKET BUTTON	4				
4	BME-8212B-00	BOX, BATTERY 1	1				
5	90119-06313	BOLT, WITH WASHER	2				
6	90387-060A7	COLLAR	2				
7	90480-14035	GROMMET	2				
8	90183-06069	NUT, SPRING	2				
9	90338-10132	PLUG	6				
10	B7N-21649-00	DAMPER	3				
11	BME-2116H-00	COVER 9	1				
12	90269-06008	RIVET	3				
13	BME-2116B-00	BRKT.	1				
14	90109-063F1	BOLT	2				
15	90520-04015	DAMPER, PLATE	2				
16	90105-08171	BOLT, FLANGE	4				
17	90464-14013	CLAMP	1				
18	B7N-21629-00	GUARD, MUD	1				
19	90387-06372	COLLAR	4				
20	90111-06190	BOLT, HEXAGON SOCKET BUTTON	4				
21	BME-2164F-00	STAY 1	1				
22	BME-2164G-00	STAY 2	1				
23	BME-2163E-00	COVER, REAR FENDER 2	1				
24	B7N-21682-00	STAY, PLATE	1				
25	90160-05012	SCREW, ROUND TAPPING	4				
26	99247-00080	EMBLEM, YAMAHA	1				

FIG. 22 SIDE COVER



REF. NO.	PART NO.	DESCRIPTION	BWF1			REMARKS
1	BME-21711-00-P1	COVER, SIDE 1	1			UR FOR DBNM8
	BME-21711-00-P2	COVER, SIDE 1	1			UR FOR MDNM6
2	90183-05042	NUT, SPRING	4			
3	90520-02011	DAMPER, PLATE	1			
4	BME-21721-00-P1	COVER, SIDE 2	1			UR FOR DBNM8
	BME-21721-00-P2	COVER, SIDE 2	1			UR FOR MDNM6
5	90183-05042	NUT, SPRING	4			
6	90520-02011	DAMPER, PLATE	1			
7	BME-21731-00	COVER, SIDE 3	1			
8	90109-06336	BOLT	3			
9	90480-01559	GROMMET	3			
10	97702-50012	SCREW, TAPPING	4			
11	90111-05002	BOLT, HEXAGON SOCKET BUTTON	2			
12	90338-06018	PLUG	1			
13	90269-06081	RIVET	3			
14	BME-21741-00	COVER, SIDE 4	1			
15	90109-06336	BOLT	3			
16	90480-01559	GROMMET	3			
17	97702-50012	SCREW, TAPPING	4			
18	90111-05002	BOLT, HEXAGON SOCKET BUTTON	2			
19	90338-06018	PLUG	1			
20	90269-06081	RIVET	3			
21	BME-21651-00	COVER, REAR FENDER	1			
22	90269-06008	RIVET	2			

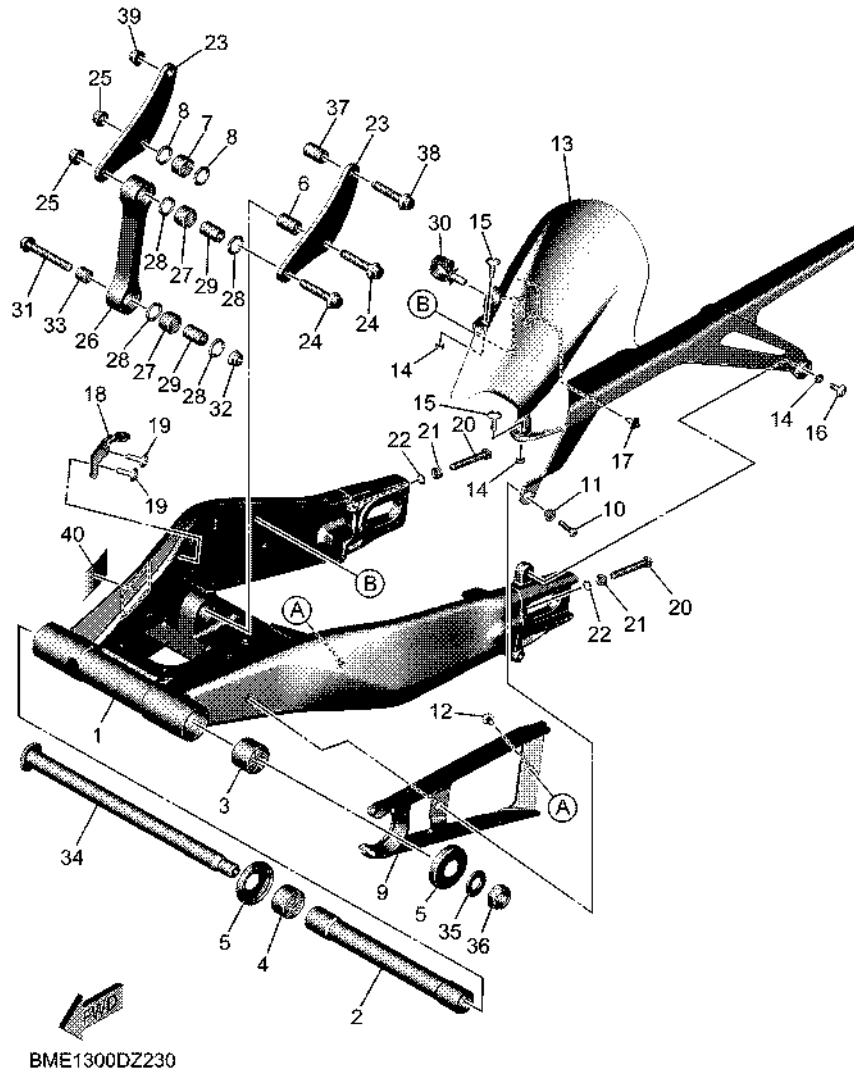
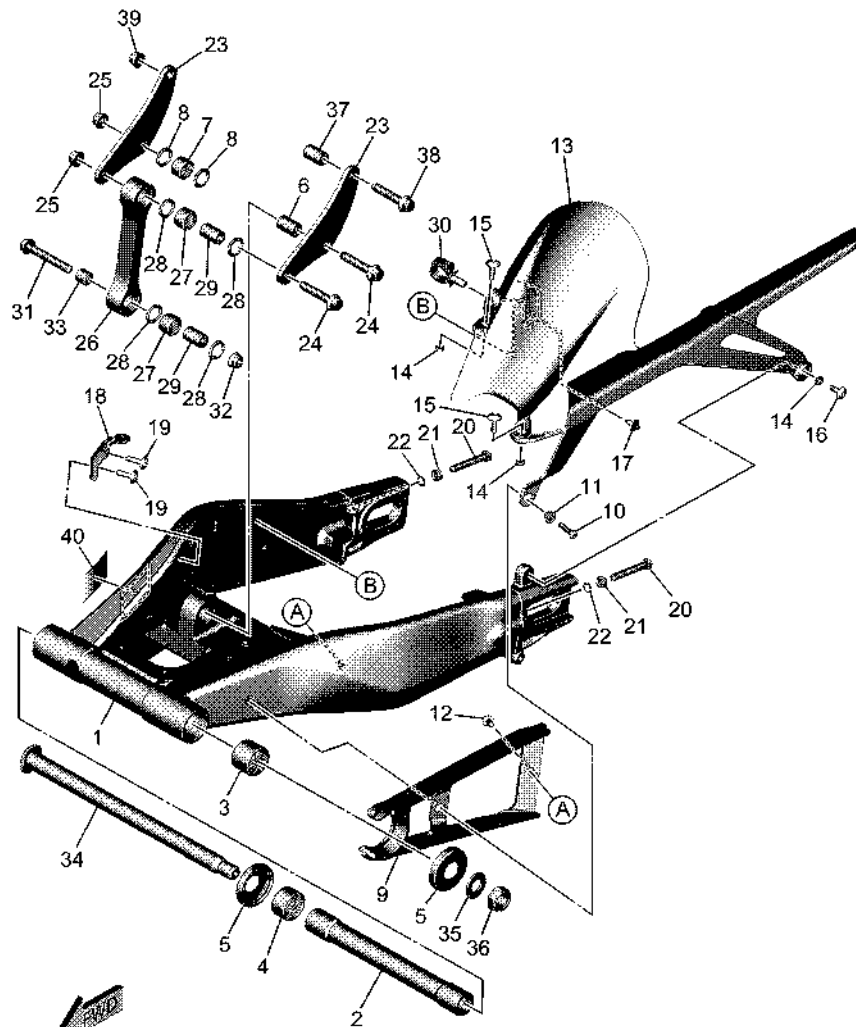


FIG. 23 REAR ARM

REF. NO.	PART NO.	DESCRIPTION	BWF1			REMARKS
1	B7N-22110-00	REAR ARM COMP.	1			MDNM9
2	90387-22037	COLLAR	1			
3	93317-330A0	BEARING	1			
4	93317-330A1	BEARING	1			
5	5VY-22128-00	COVER, THRUST 1	2			
6	90387-1012A	COLLAR	1			
7	93315-31758	BEARING	1			
8	93109-17071	OIL SEAL	2			
9	B7N-22151-00	SEAL, GUARD	1			
10	92012-06025	BOLT, BUTTON HEAD	1			
11	90387-062X0	COLLAR	1			
12	90269-07007	RIVET	1			
13	B7N-21650-01	REAR FENDER COMP.	1			
14	90387-06372	COLLAR	3			
15	90149-06104	SCREW	2			
16	90111-06151	BOLT, HEXAGON SOCKET BUTTON	1			
17	90269-07007	RIVET	1			
18	BME-22538-00	STAY	1			
19	90149-06104	SCREW	2			
20	90101-08013	BOLT	2			
21	95302-08600	NUT, HEXAGON	2			
22	90201-08052	WASHER, PLATE	2			
23	BME-2217A-00	ARM, RELAY	2			
24	90105-10030	BOLT, FLANGE	2			
25	95607-10200	NUT, U FLANGE	2			
26	BME-2217M-00	ARM 1	1			
27	93315-31758	BEARING	2			



BME1300DZ230

FIG. 23 REAR ARM

REF. NO.	PART NO.	DESCRIPTION	BWF1				REMARKS
28	93109-17071	OIL SEAL	4				
29	90387-1012A	COLLAR	2				
30	90464-20009	CLAMP	1				
31	90105-10211	BOLT, FLANGE	1				
32	95602-10200	NUT, SELF-LOCKING	1				
33	90387-10043	COLLAR	1				
34	B7N-22141-00	SHAFT, PIVOT	1				
35	90201-18013	WASHER, PLATE	1				
36	90185-18009	NUT, SELF-LOCKING	1				
37	90387-10125	COLLAR	1				
38	90105-10030	BOLT, FLANGE	1				
39	95607-10200	NUT, U FLANGE	1				
40	BM6-21668-01	LABEL, TIRE	1				

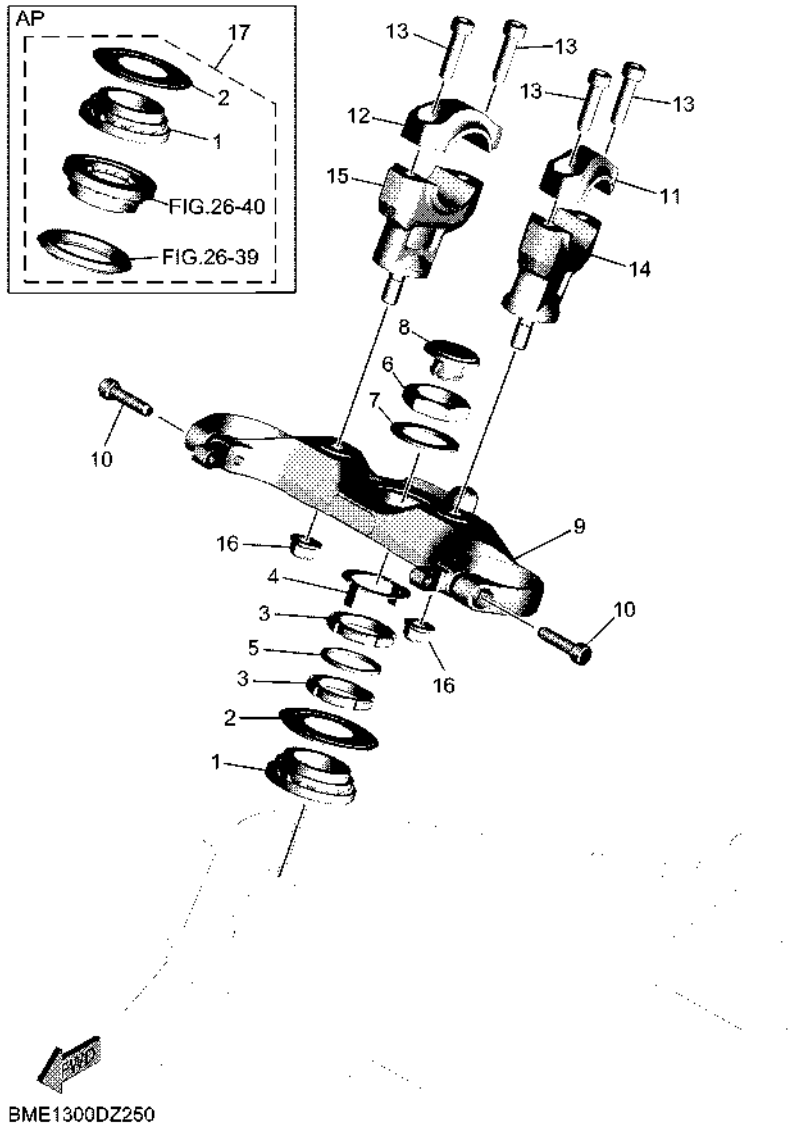


FIG. 25 STEERING

REF. NO.	PART NO.	DESCRIPTION	BWF1				REMARKS
1	93399-99932	BEARING	1				
2	4XV-23415-01	COVER, BALL RACE 1	1				
3	90179-30006	NUT	2				
4	4XV-23418-00	WASHER, SPECIAL	1				
5	90202-30235	WASHER, PLATE	1				
6	90170-28419	NUT	1				
7	90201-281U8	WASHER, PLATE	1				
8	BEA-2319U-00	CAP	1				
9	BME-23435-00	CROWN, HANDLE	1				
10	91317-08030	BOLT, HEXAGON SOCKET HEAD	2				
11	1RC-23441-11	HOLDER, HANDLE UPPER	1				
12	1RC-2344A-11	HOLDER, HANDLE UPPER 1	1				
13	91317-08030	BOLT, HEXAGON SOCKET HEAD	4				
14	B67-24847-10	HOLDER 1	1				
15	B67-24848-10	HOLDER 2	1				
16	95602-10200	NUT, SELF-LOCKING	2				
17	BMP-W000B-00	STEERING BEARING KIT	1				AP

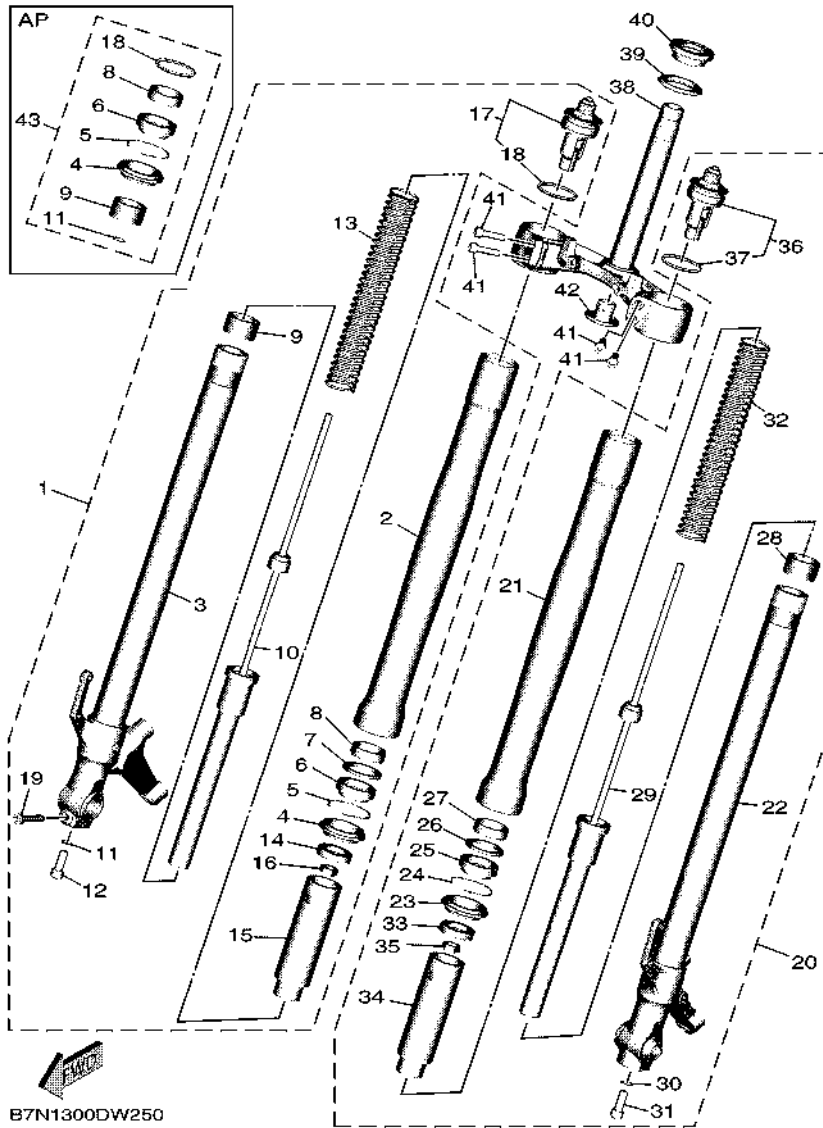


FIG. 26 FRONT FORK

REF. NO.	PART NO.	DESCRIPTION	BWF1	REMARKS
1	BME-23103-00	FRONT FORK ASSY (R.H)	1	
2	B7N-23126-00	.TUBE, OUTER (L.H)	1	
3	BME-23120-00	.INNER TUBE COMP.2	1	
4	4EB-23144-00	.SEAL, DUST	1	
5	26H-23156-00	.RING, SNAP	1	
6	4EB-23145-01	.OIL SEAL	1	
7	36Y-23146-10	.WASHER, OIL SEAL	1	
8	1RC-23125-00	.METAL, SLIDE 1	1	
9	4FM-23171-40	.METAL, SLIDE	1	
10	BME-23170-10	.CYLINDER COMP., FRONT FORK	1	
11	509-23158-L0	.GASKET	1	(KYB)
12	278-23181-50	.BOLT, HEXAGON SOCKET HEAD	1	
13	BME-23141-00	.SPRING, FRONT FORK	1	
14	5VY-12277-00	.WASHER	1	
15	5VY-23118-00	.SPACER	1	
16	3LC-23357-00	.NUT	1	
17	BS2-23111-13	.BOLT, CAP	1	
18	3XJ-23147-L2	.O-RING	1	
19	91314-08040	.BOLT, HEXAGON SOCKET HEAD	1	
20	BME-23102-00	FRONT FORK ASSY (L.H)	1	
21	B7N-23126-00	.TUBE, OUTER (L.H)	1	
22	BME-23110-00	.INNER TUBE COMP.1	1	
23	4EB-23144-00	.SEAL, DUST	1	
24	26H-23156-00	.RING, SNAP	1	
25	4EB-23145-01	.OIL SEAL	1	
26	36Y-23146-10	.WASHER, OIL SEAL	1	
27	1RC-23125-00	.METAL, SLIDE 1	1	

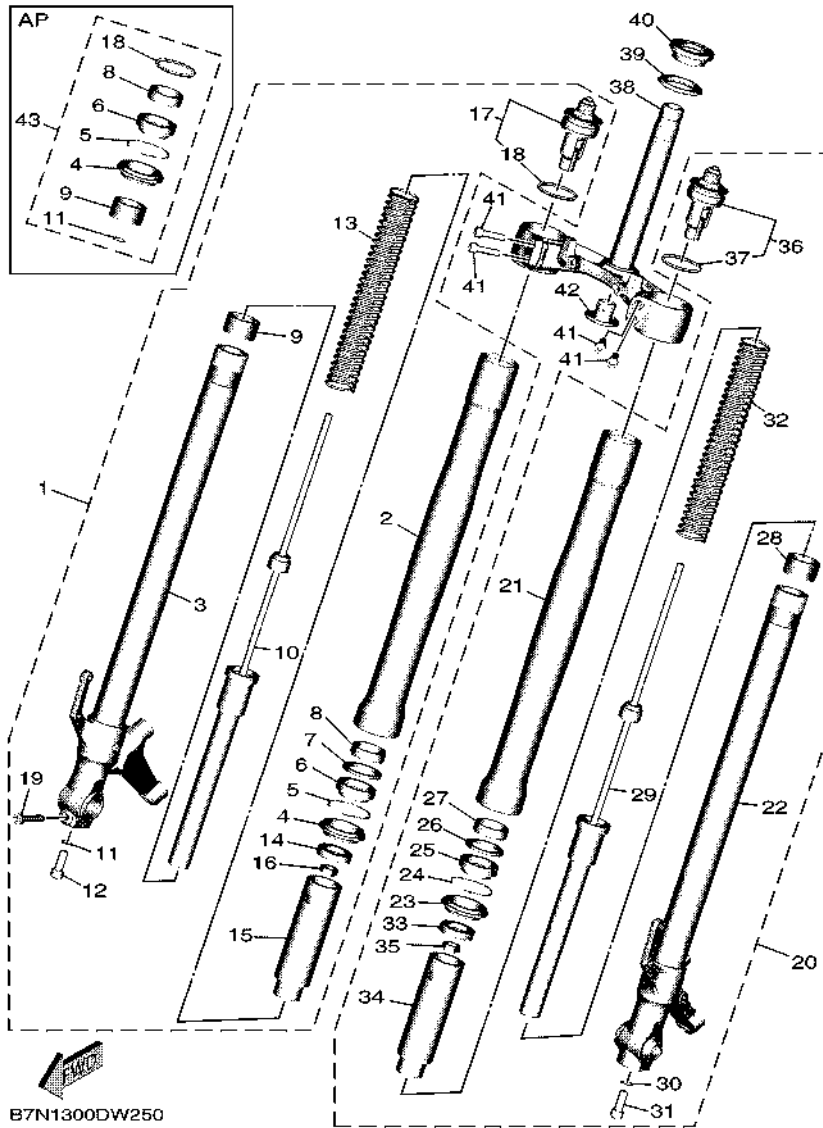
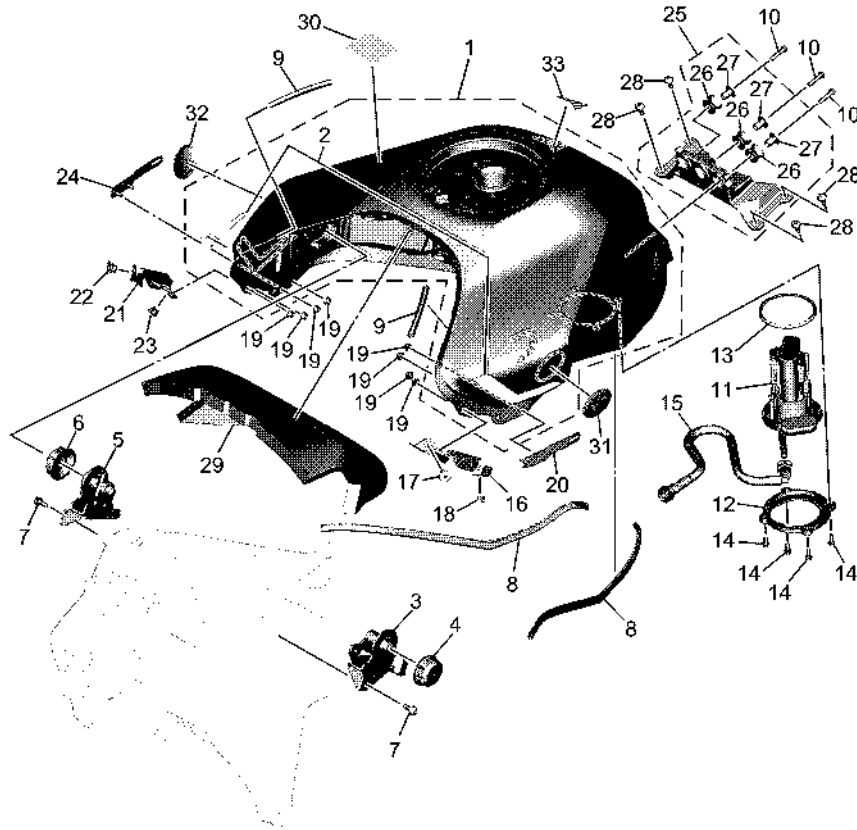


FIG. 26 FRONT FORK

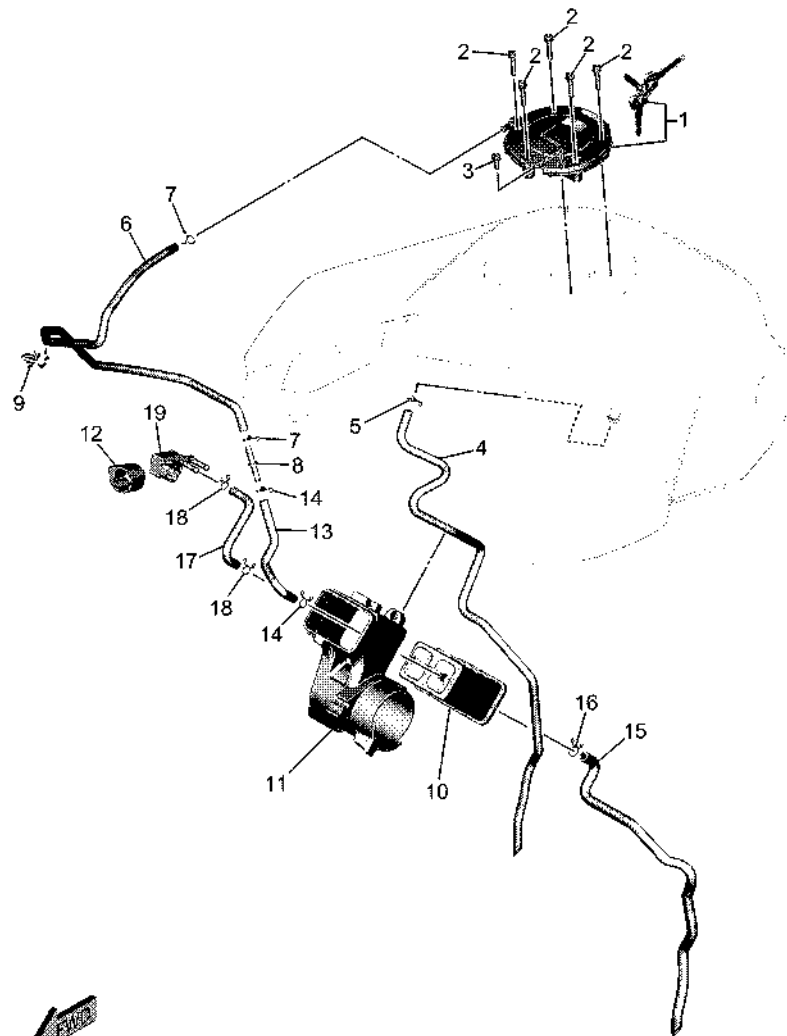
REF. NO.	PART NO.	DESCRIPTION	BWF1		REMARKS
28	4FM-23171-40	.METAL, SLIDE	1		
29	BME-23170-00	.CYLINDER COMP., FRONT FORK	1		
30	509-23158-L0	.GASKET	1		(KYB)
31	278-23181-50	.BOLT, HEXAGON SOCKET HEAD	1		
32	BME-23141-00	.SPRING, FRONT FORK	1		
33	5VY-12277-00	.WASHER	1		
34	5VY-23118-00	.SPACER	1		
35	3LC-23357-00	.NUT	1		
36	BS2-23111-03	.BOLT, CAP	1		
37	3XJ-23147-L2	..O-RING	1		
38	BME-23340-00	UNDER BRACKET COMP.	1		
39	3FV-23462-00	SEAL, STEERING	1		
40	93399-99957	BEARING	1		
41	91317-08030	BOLT, HEXAGON SOCKET HEAD	4		
42	4KM-23123-01	COVER, UNDER 1	1		
43	BEA-W003B-00	FORK SEALS KIT	1		AP

FIG. 27 FUEL TANK




BME7664DZ270

REF. NO.	PART NO.	DESCRIPTION	BWF1				REMARKS
1	BME-Y2410-00-02	FUEL TANK COMP.	1				UR FOR DBNM8
	BME-YG241-00-01	FUEL TANK COMP.	1				UR FOR MDNM6
2	BME-24240-10	.GRAPHIC SET	1				UR FOR DBNM8
	BME-24240-20	.GRAPHIC SET	1				UR FOR MDNM6
3	BME-24191-00	BRACKET, FUEL TANK 1	1				
4	BME-24181-00	DAMPER, LOCATING 1	1				
5	BME-24192-00	BRACKET, FUEL TANK 2	1				
6	BME-24181-00	DAMPER, LOCATING 1	1				
7	90111-06059	BOLT, HEXAGON SOCKET BUTTON	2				
8	BME-24188-00	MOLD, FUEL TANK	2				
9	BAG-24188-00	MOLD, FUEL TANK	2				
10	92012-06025	BOLT, BUTTON HEAD	3				
11	1RC-13907-20	FUEL PUMP COMP.	1				
12	1RC-24491-00	BRACKET, FUEL PUMP	1				
13	1RC-24486-00	O-RING	1				
14	90110-05028	BOLT, HEXAGON SOCKET HEAD	4				
15	B7N-13971-00	PIPE, FUEL 1	1				
16	BME-2411F-00	PLATE, FITTING	1				
17	90179-05525	NUT	1				
18	2RP-21719-00	GROMMET	1				
19	95702-05500	NUT, FLANGE	8				
20	BME-2412J-00	STAY, RR. LH.	1				
21	BME-2411L-00	HOOK TANK FITTING	1				
22	90179-05525	NUT	1				
23	2RP-21719-00	GROMMET	1				
24	BME-2412K-00	STAY, RR. RH.	1				
25	BME-24105-00	TANK BRACKET ASSY 2	1				



BME1300DZ280

FIG. 28 FUEL TANK 2

REF. NO.	PART NO.	DESCRIPTION	BWF1				REMARKS
1	BME-24602-00	CAP ASSY	1				
2	90110-05082	BOLT, HEXAGON SOCKET HEAD	5				
3	90110-05081	BOLT, HEXAGON SOCKET HEAD	1				
4	BME-24315-00	PIPE 5	1				
5	90467-090A2	CLIP	1				
6	BME-24312-00	PIPE 2	1				
7	90467-090A2	CLIP	2				
8	4XY-14568-00	JOINT	1				
9	90464-10M32	CLAMP	1				
10	B7N-24170-00	CANISTER ASSY	1				
11	BME-24183-00	DAMPER, LOCATING 3	1				
12	BME-24398-00	BAND 1	1				
13	BME-24313-00	PIPE 3	1				
14	90467-090A2	CLIP	2				
15	BME-24316-00	PIPE 6	1				
16	90467-10041	CLIP	1				
17	BME-24317-00	PIPE 7	1				
18	90467-090A2	CLIP	2				
19	B7N-86120-00	SOLENOID VALVE ASSY	1				

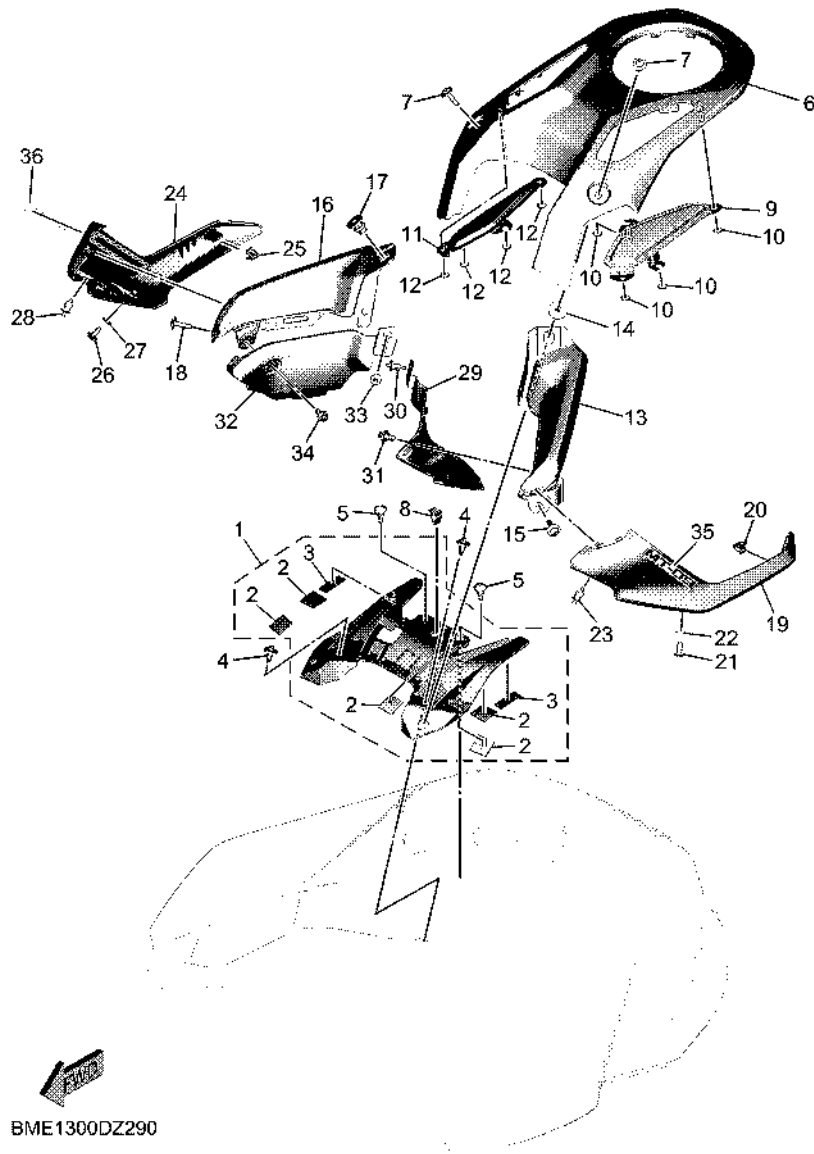


FIG. 29 FUEL TANK 3

REF. NO.	PART NO.	DESCRIPTION	BWF1			REMARKS
1	BME-24141-00	PROTECTOR, FUEL TANK	1			
2	90520-02009	.DAMPER, PLATE	5			
3	90520-02014	.DAMPER, PLATE	2			
4	90269-07071	RIVET	2			
5	90111-05020	BOLT, HEXAGON SOCKET BUTTON	2			
6	BME-241B1-00-P0	COVER, TANK	1			MBL2
7	90111-05063	BOLT, HEXAGON SOCKET BUTTON	2			
8	90464-07018	CLAMP	1			
9	BME-2837V-00	GRILL, AIR OUTLET 1	1			
10	90183-05M02	NUT, SPRING	4			
11	BME-2837W-00	GRILL, AIR OUTLET 2	1			
12	90183-05M02	NUT, SPRING	4			
13	BME-2418B-00	MOLE, FUEL TANK 1	1			
14	90179-05525	NUT	1			
15	90111-05063	BOLT, HEXAGON SOCKET BUTTON	1			
16	BME-2419B-00	MOLE, FUEL TANK 2	1			
17	90179-05525	NUT	1			
18	90111-05063	BOLT, HEXAGON SOCKET BUTTON	1			
19	BME-2137W-00-P1	SCOOP, AIR 1	1			SMX
20	90468-040A0	CLIP	1			
21	90167-05079	SCREW, TAPPING	1			
22	90202-05088	WASHER, PLATE	1			
23	90269-06008	RIVET	1			
24	BME-2137X-00-P1	SCOOP, AIR 2	1			SMX
25	90468-040A0	CLIP	1			
26	90167-05079	SCREW, TAPPING	1			
27	90202-05088	WASHER, PLATE	1			

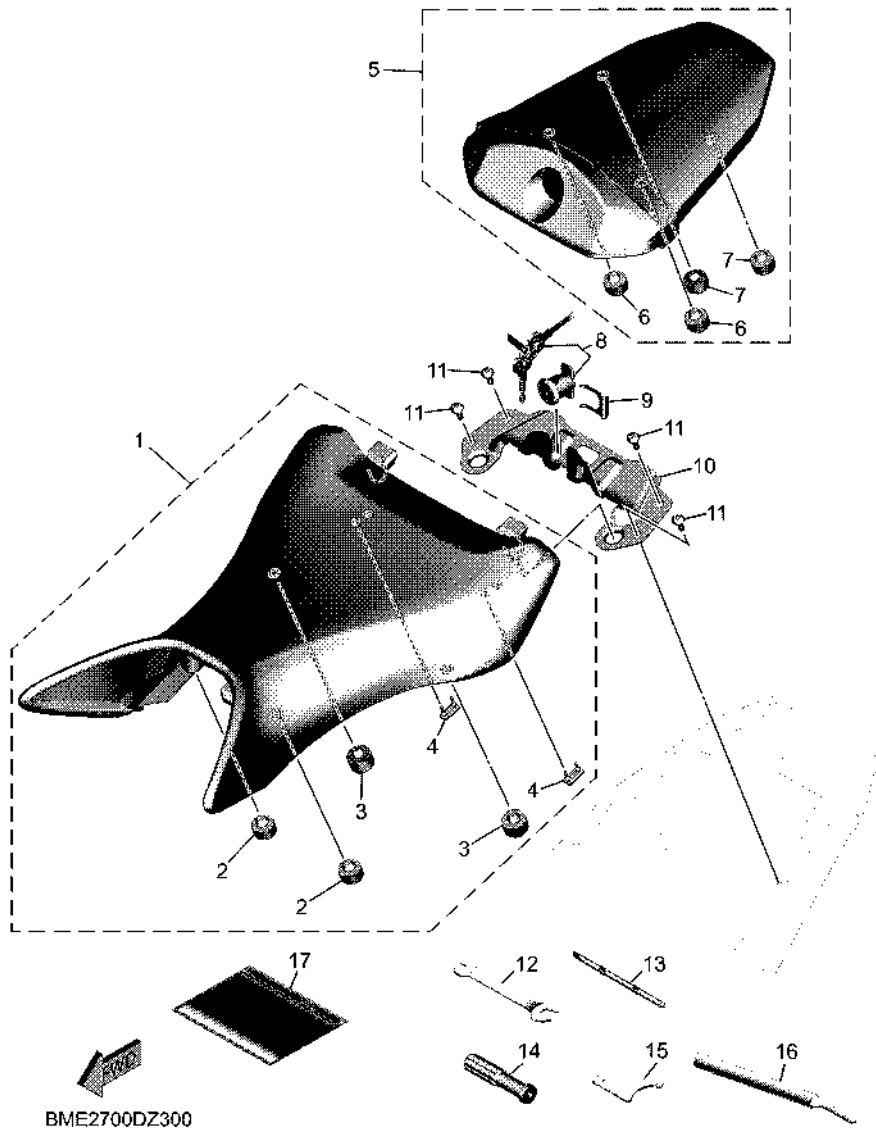
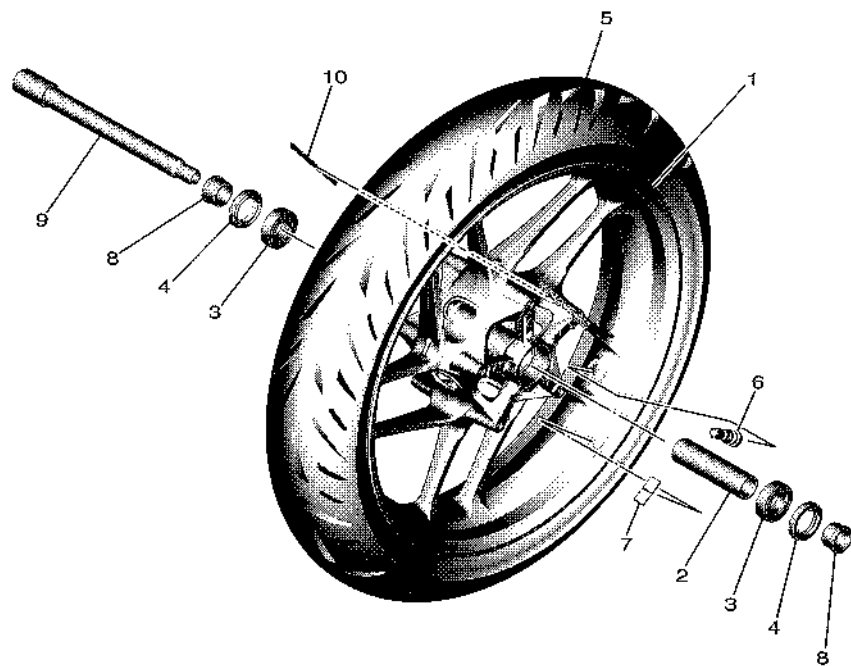


FIG. 30 SEAT

REF. NO.	PART NO.	DESCRIPTION	BWF1				REMARKS
1	BME-24710-00	SINGLE SEAT ASSY	1				
2	5JW-24741-00	.PAD, SEAT	2				
3	371-27114-00	.STOPPER, MAIN STAND	2				
4	682-44532-01	.STOPPER, UPPER MOUNT	2				
5	BME-24750-00	TANDEM SEAT ASSY	1				
6	5JW-24741-00	.PAD, SEAT	2				
7	B7N-27114-00	.STOPPER, MAIN STAND	2				
8	BME-W2470-00	ROTOR SET	1				
9	59C-2176V-00	SPRING, LOCK 1	1				
10	BME-2478X-00	BRACKET, SEAT LOCK	1				
11	90111-06029	BOLT, HEXAGON SOCKET BUTTON	4				
12	33M-28125-00	SPANNER 12-14	1				
13	2GV-28152-00	DRIVER	1				
14	2H7-28151-00	GRIP, DRIVER	1				
15	BME-28135-00	SPANNER, SPECIAL	1				
16	BME-28138-00	HANDLE, SPANNER	1				
17	B7N-28186-00	POUCH	1				

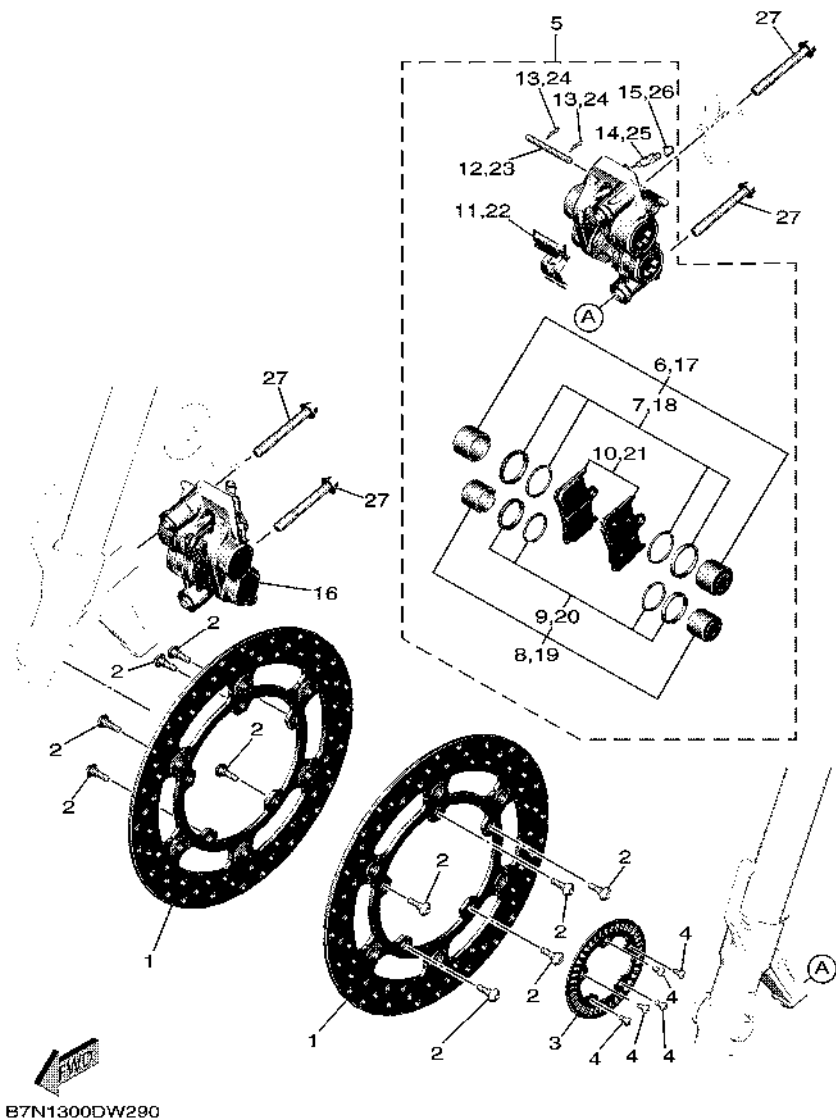
FIG. 31 FRONT WHEEL



REF. NO.	PART NO.	DESCRIPTION	BWF1		REMARKS
1	B7N-25168-00-P2	CAST WHEEL, FRONT	1		CS8 FOR DBNM8
	B7N-25168-00-98	CAST WHEEL, FRONT	1		LGB FOR MDNM6
2	4XV-25117-00	SPACER, BEARING	1		
3	93306-07208	BEARING	2		
4	93106-28043	OIL SEAL	2		
5	94112-17150	TIRE (120/70ZR17M/C 58W)	1		BRIDGESTONE
6	93900-00030	VALVE, RIM (TR412)	1		TAIHEIYO
7	23P-25398-00	BALANCER, WHEEL	1		UN
8	90387-22016	COLLAR	2		
9	4XV-25181-10	AXLE, WHEEL	1		
10	B7N-251G3-10	EMBLEM	1		UR FOR DBNM8
	B7N-251G3-00	EMBLEM	1		UR FOR MDNM6

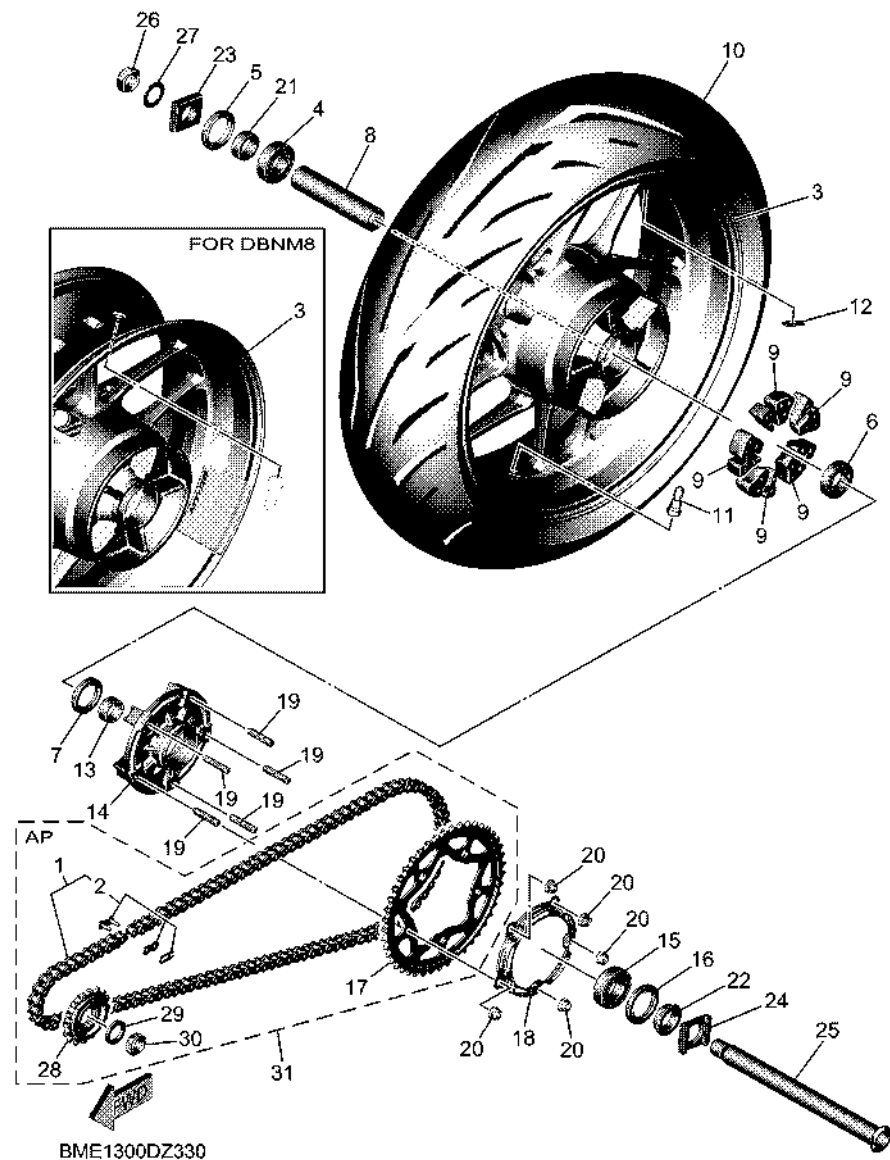

 B7N1300DW280

FIG. 32 FRONT BRAKE CALIPER



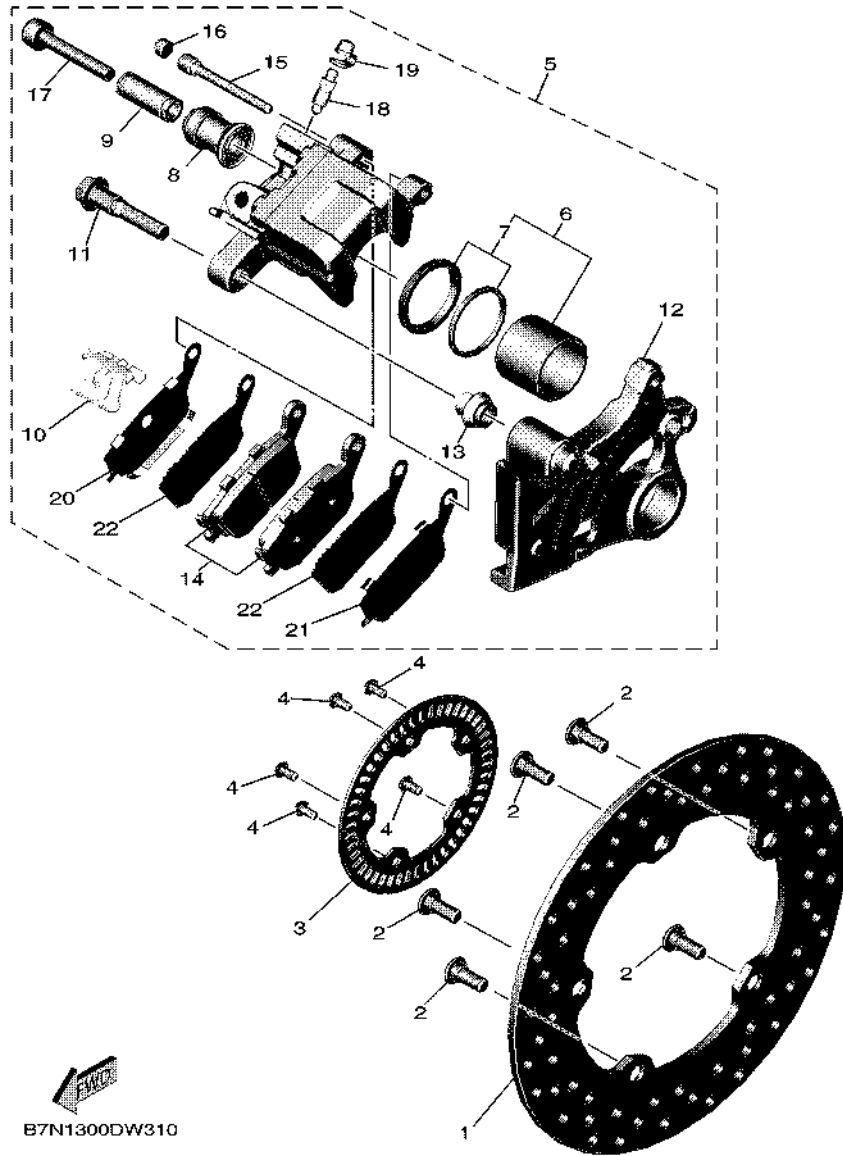
REF. NO.	PART NO.	DESCRIPTION	BWF1				REMARKS
1	1RC-2581T-00	DISK BRAKE ASSY	2				
2	90109-064G6	BOLT	10				
3	1SD-2517G-00	ROTOR, SENSOR	1				
4	90149-05029	SCREW	5				
5	1RC-2580T-00	CALIPER ASSY (LEFT)	1				
6	4SV-25802-10	.PISTON ASSY, CALIPER	1				
7	3GM-25803-10	..CALIPER SEAL KIT	1				
8	4SV-25802-00	.PISTON ASSY, CALIPER	1				
9	3MA-25803-10	..CALIPER SEAL KIT	1				
10	5SL-25805-00	.BRAKE PAD KIT	1				
11	13S-25919-00	.SUPPORT, PAD	1				
12	4SV-25924-00	.PIN, PAD	1				
13	3GM-25925-00	.CLIP	2				
14	1J3-25824-00	.SCREW, BLEED	1				
15	306-25825-01	.CAP	1				
16	1RC-2580U-00	CALIPER ASSY (RIGHT)	1				
17	4SV-25802-10	.PISTON ASSY, CALIPER	1				
18	3GM-25803-10	..CALIPER SEAL KIT	1				
19	4SV-25802-00	.PISTON ASSY, CALIPER	1				
20	3MA-25803-10	..CALIPER SEAL KIT	1				
21	5SL-25805-00	.BRAKE PAD KIT	1				
22	13S-25919-00	.SUPPORT, PAD	1				
23	4SV-25924-00	.PIN, PAD	1				
24	3GM-25925-00	.CLIP	2				
25	1J3-25824-00	.SCREW, BLEED	1				
26	306-25825-01	.CAP	1				
27	90105-10440	BOLT, FLANGE	4				

FIG. 33 REAR WHEEL



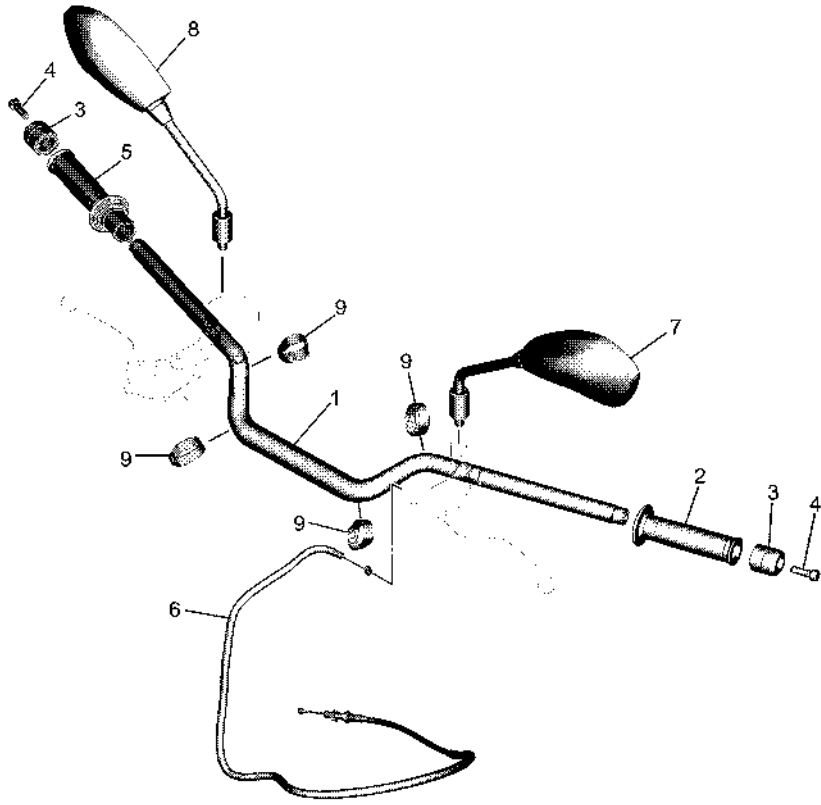
REF. NO.	PART NO.	DESCRIPTION	BWF1				REMARKS
1	94A40-17110	SET, CHAIN (DID525VZ2 110LL)	1				
2	94682-5502R	.JOINT, CHAIN (DID525VZ2 ZJ)	1				
3	B7N-W2533-10-P2	CAST WHEEL, REAR	1				CS8 FOR DBNM8
	B7N-25338-00-98	CAST WHEEL, REAR	1				LGB FOR MDNM6
4	93306-20531	BEARING	1				
5	93106-40013	OIL SEAL	1				
6	93306-07806	BEARING	1				
7	93106-35042	OIL SEAL	1				
8	90387-28031	COLLAR	1				
9	BD5-25364-00	DAMPER	5				
10	94118-17094	TIRE (180/55ZR17M/C 73W)	1				BRIDGESTONE
11	93900-00030	VALVE, RIM (TR412)	1				TAIHEIYO
12	23P-25398-00	BALANCER, WHEEL	1				UN
13	5EB-25377-00	COLLAR, WHEEL	1				
14	2CR-25366-00	CLUTCH, HUB	1				
15	93306-20531	BEARING	1				
16	93106-40013	OIL SEAL	1				
17	B7N-25445-00	SPROCKET, DRIVEN (45T)	1				
18	B7N-2537W-00	BRACKET 1	1				
19	90116-10048	BOLT, STUD	5				
20	95602-10200	NUT, SELF-LOCKING	5				
21	13S-25376-00	COLLAR, WHEEL	1				
22	90387-28029	COLLAR	1				
23	4XV-25388-00	PULLER, CHAIN 1	1				
24	4XV-25389-00	PULLER, CHAIN 2	1				
25	4XV-25381-10	AXLE, WHEEL	1				
26	90185-24002	NUT, SELF-LOCKING	1				

FIG. 34 REAR BRAKE CALIPER



B7N1300DW310

REF. NO.	PART NO.	DESCRIPTION	BWF1				REMARKS
1	1RC-2582W-00	DISK, REAR BRAKE 2	1				
2	90109-08045	BOLT	5				
3	2PW-2517G-00	ROTOR, SENSOR	1				
4	90149-05029	SCREW	5				
5	B7N-2580W-00	CALIPER ASSY, REAR 2	1				
6	5SL-25802-00	.PISTON ASSY, CALIPER	1				
7	5SL-25803-00	..CALIPER SEAL KIT	1				
8	5SL-25917-00	.BOOT, CALIPER	1				
9	5SL-25838-00	.SLEEVE, CALIPER	1				
10	5SL-25919-00	.SUPPORT, PAD	1				
11	5SL-25914-00	.PIN, SLIDE	1				
12	B7N-25921-50	.BRACKET, SUPPORT	1				
13	3JD-25917-00	.BOOT, CALIPER	1				
14	5VX-25806-00	.BRAKE PAD KIT 2	1				
15	8CR-25924-00	.PIN, PAD	1				
16	5DH-25916-50	.PLUG	1				
17	1RC-25926-00	.BOLT	1				
18	8CR-25824-00	.SCREW, BLEED	1				
19	1UY-25825-51	.CAP	1				
20	5SL-25827-00	.SHIM, CALIPER	1				
21	5SL-25827-10	.SHIM, CALIPER	1				
22	5SL-25828-01	.SHIM, CALIPER	2				

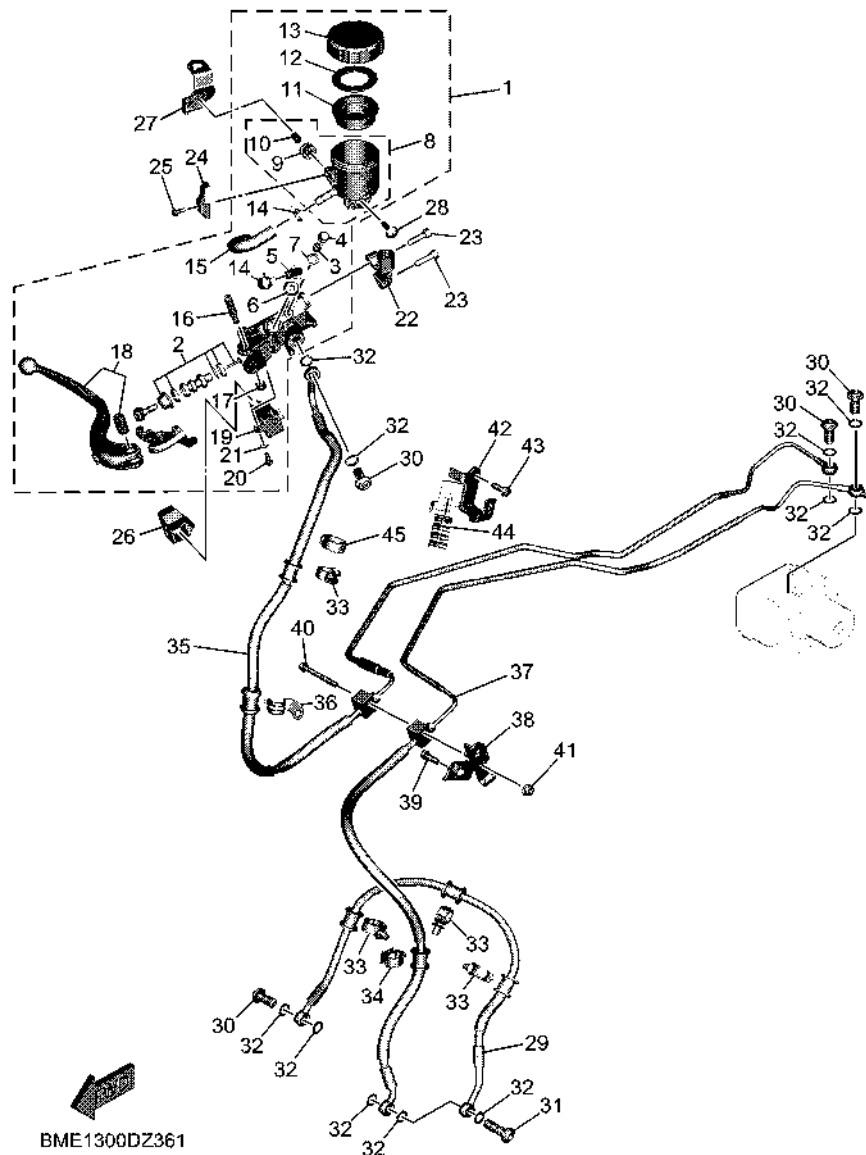



 BME1300DZ350

FIG. 35 STEERING HANDLE & CABLE

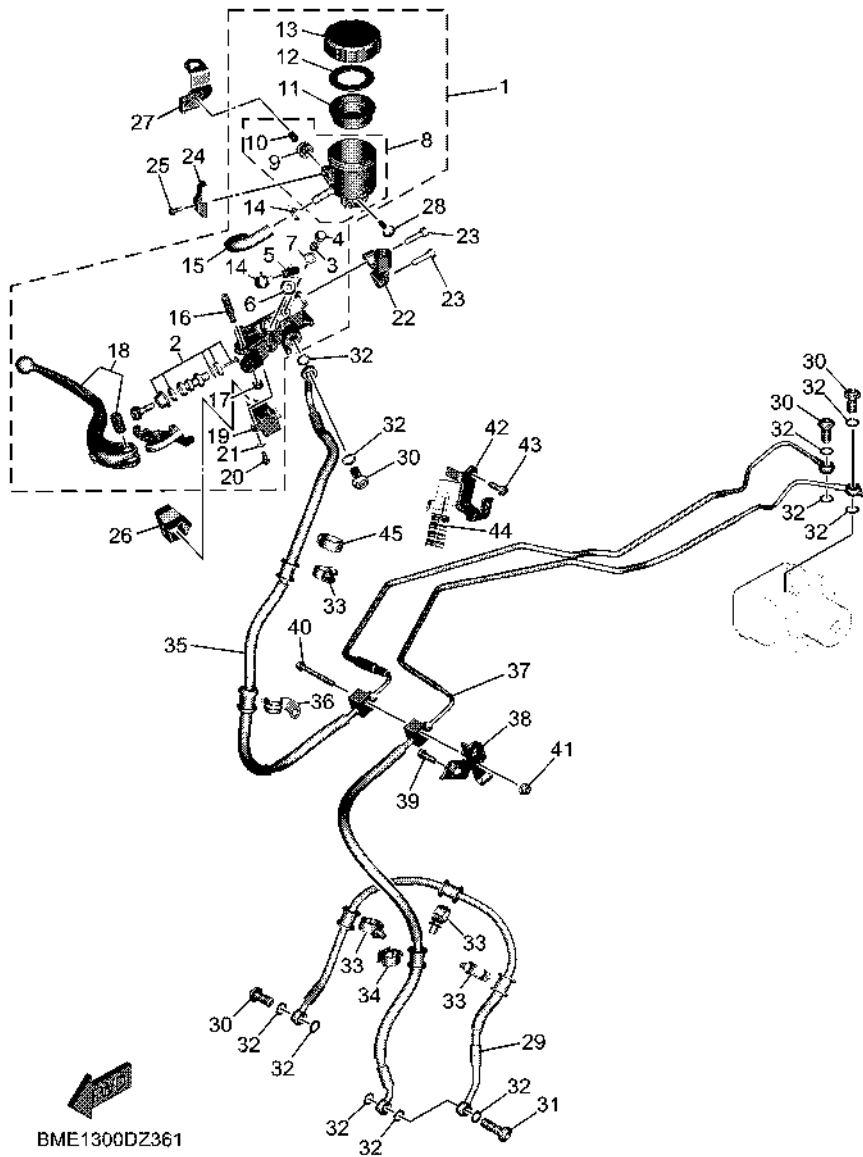
REF. NO.	PART NO.	DESCRIPTION	BWF1				REMARKS
1	BME-26111-00	HANDLEBAR	1				
2	2C0-26241-00	GRIP	1				
3	BME-2624B-00	END, GRIP 2	2				
4	91317-08025	BOLT, HEXAGON SOCKET HEAD	2				
5	BME-26240-00	GRIP ASSY	1				
6	BME-26335-00	WIRE, CLUTCH	1				
7	BME-26280-00	REAR VIEW MIRROR ASSY (LEFT)	1				
8	BME-26290-00	REAR VIEW MIRROR ASSY (RIGHT)	1				
9	B5U-82591-00	BAND	4				

FIG. 36 FRONT MASTER CYLINDER



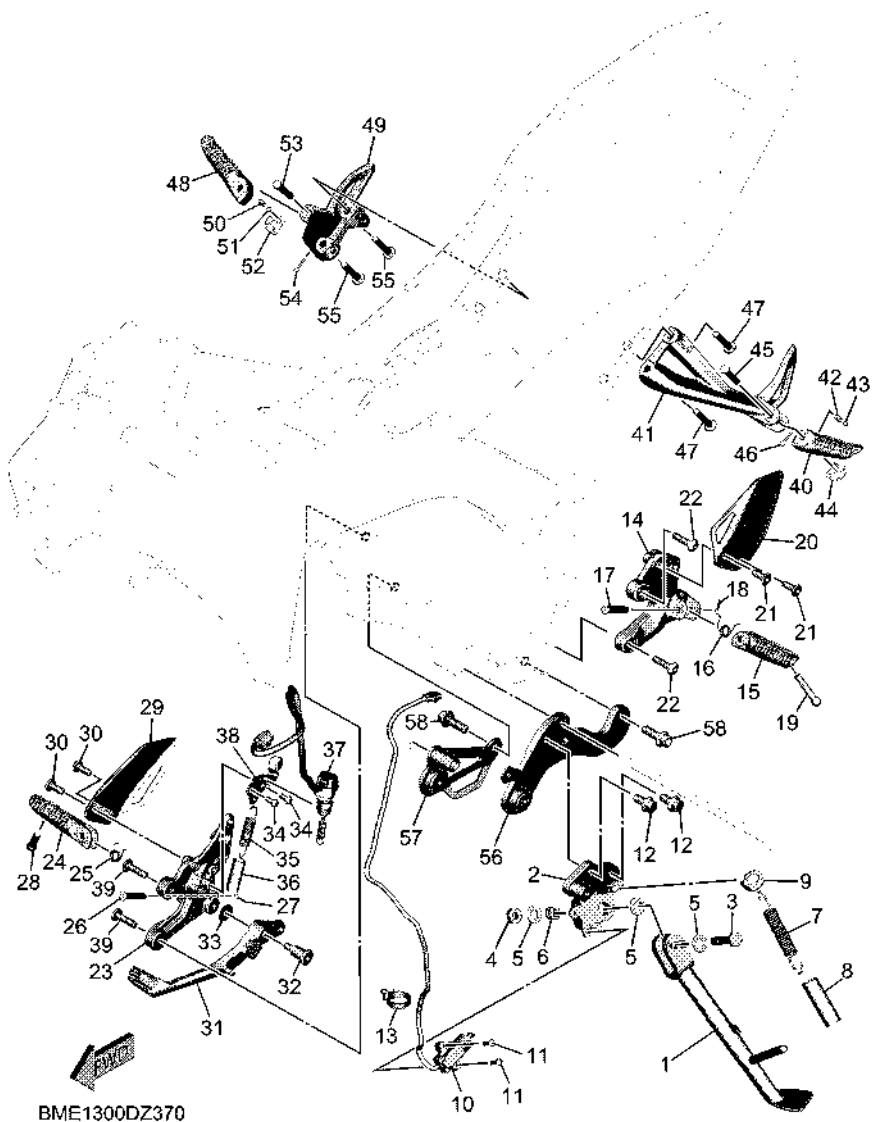
REF. NO.	PART NO.	DESCRIPTION	BWF1				REMARKS
1	BME-2583T-00	MASTER CYLINDER ASSY	1				
2	B5Y-2580B-00	.MASTER CYLINDER SEAL KIT, FR.	1				
3	3YK-25824-00	.SCREW, BLEED	1				
4	3YK-25825-00	.CAP	1				
5	B5Y-2582A-00	.JOINT	1				
6	4BP-2585F-01	.O-RING	1				
7	5VY-25975-00	.SEAL 1	1				
8	BAM-25894-00	.TANK, RESERVOIR	1				
9	5SL-26326-00	..GROMMET	1				
10	5SL-26277-00	..COLLAR	1				
11	5VY-25854-00	.DIAPHRAGM, RESERVOIR	1				
12	5VY-25855-00	.BUSH,DIAPHRAGM	1				
13	5VY-25852-00	.CAP, RESERVOIR	1				
14	90467-120A3	.CLIP	2				
15	BEA-25895-00	.HOSE, RESERVOIR	1				
16	B5Y-2589F-00	.BOLT, LEVER	1				
17	95617-06100	.NUT, SELF-LOCKING	1				
18	BEB-W2616-00	.LEVER SET	1				
19	BME-83980-00	.FRONT STOP SWITCH ASSY	1				
20	98502-04014	.SCREW, PAN HEAD	1				
21	92902-04600	.WASHER, PLATE	1				
22	B5Y-25867-10	BRACKET, MASTER CYLINDER	1				
23	91314-06020	BOLT, HEXAGON SOCKET HEAD	2				
24	5VY-2589G-00	HOLDER	1				
25	5VY-2589H-00	SCREW	1				
26	BME-82549-00	COVER, STOP SWITCH	1				
27	BME-2629K-00	STAY	1				

FIG. 36 FRONT MASTER CYLINDER



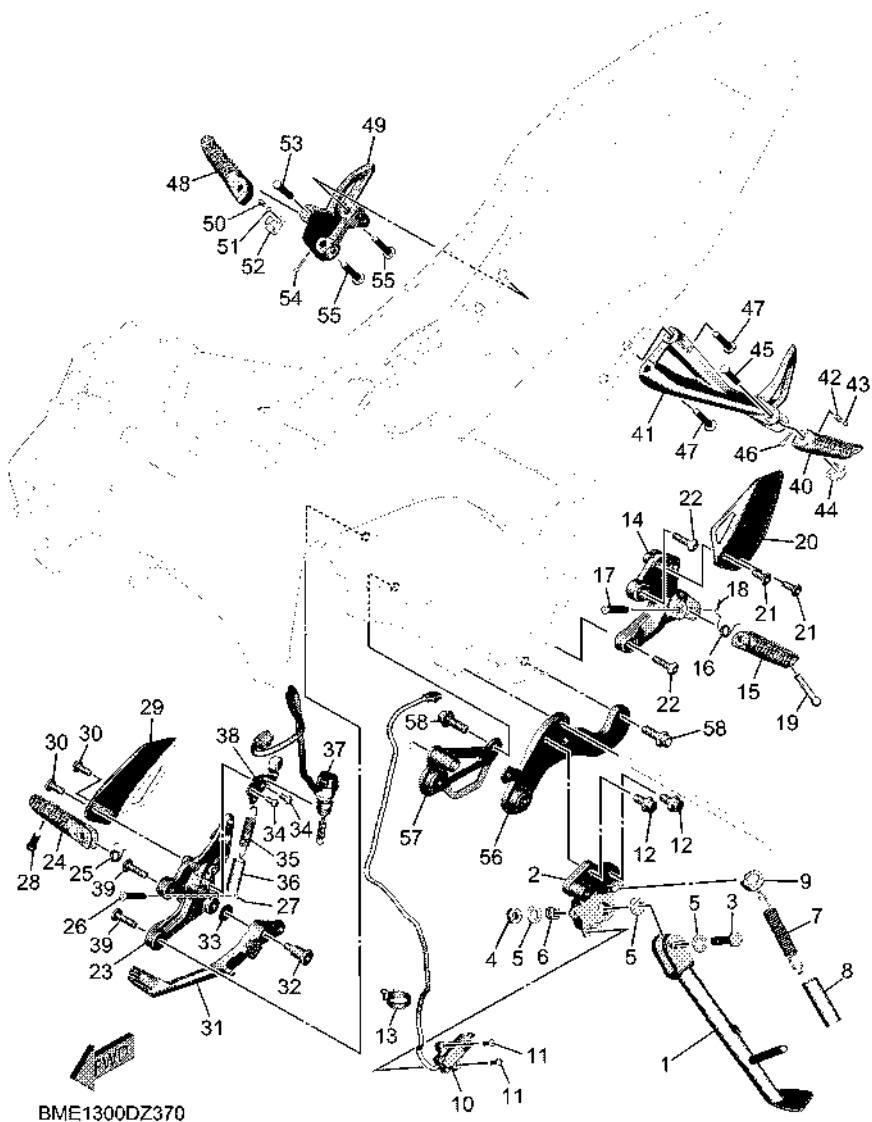
REF. NO.	PART NO.	DESCRIPTION	BWF1				REMARKS
28	90111-05026	BOLT, HEXAGON SOCKET BUTTON	1				
29	BME-25872-00	HOSE, BRAKE 1	1				
30	90401-10172	BOLT, UNION	4				
31	90401-10042	BOLT, UNION	1				
32	90430-10005	GASKET	11				
33	90464-18002	CLAMP	4				
34	90464-14013	CLAMP	1				
35	BME-2584A-00	BRAKE HOSE ASSY	1				
36	BME-25875-00	HOLDER, BRAKE HOSE 1	1				
37	BME-2584B-00	HOSE, BRAKE	1				
38	BME-85132-00	BRACKET, REFLECTOR 1	1				
39	90105-06187	BOLT, FLANGE	1				
40	95022-06045	BOLT, FLANGE	1				
41	95702-06500	NUT, FLANGE	1				
42	BME-2612E-00	BRACKET	1				
43	90105-06187	BOLT, FLANGE	1				
44	90464-07262	CLAMP	1				
45	90464-16001	CLAMP	1				

FIG. 37 STAND & FOOTREST



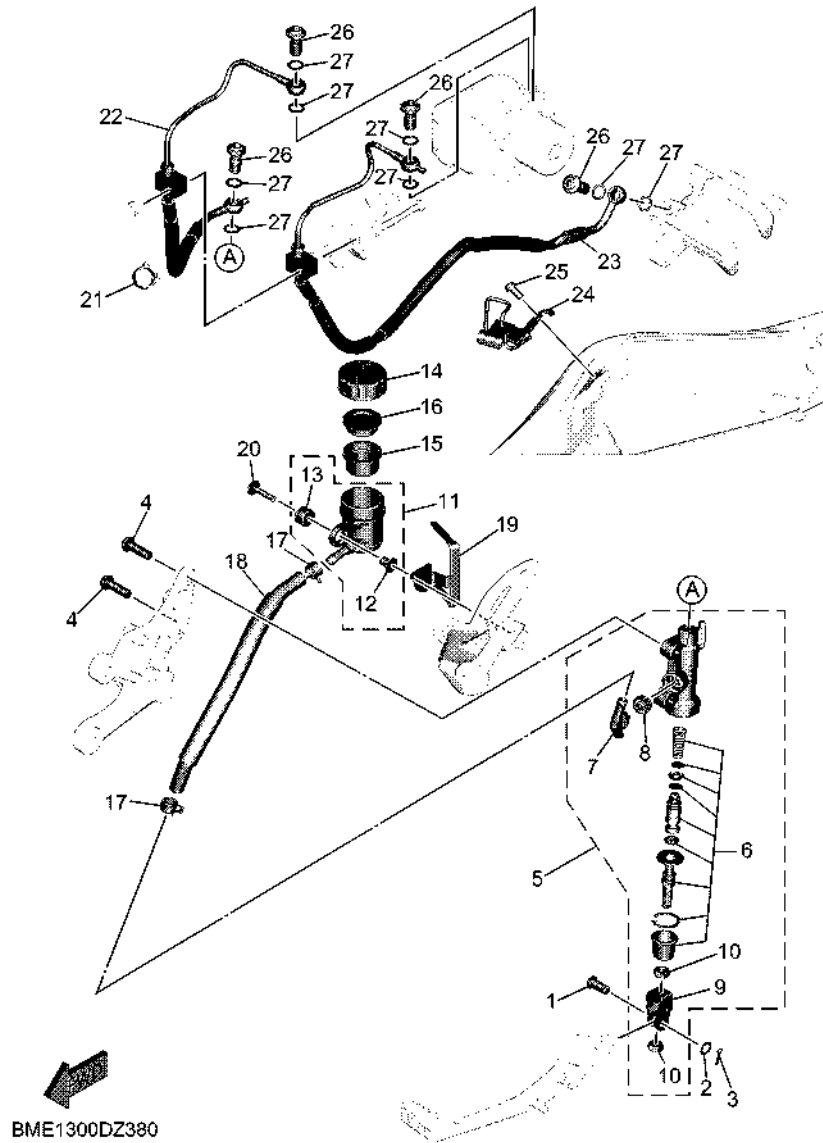
REF. NO.	PART NO.	DESCRIPTION	BWF1				REMARKS
1	BME-27311-00	STAND, SIDE	1				
2	B7N-27321-00	BRACKET, SIDE STAND	1				
3	90101-10034	BOLT	1				
4	90185-10012	NUT, SELF-LOCKING	1				
5	90201-10075	WASHER, PLATE	3				
6	90387-10020	COLLAR	1				
7	90506-26014	SPRING, TENSION	1				
8	90445-197J2	HOSE (L60)	1				
9	B7N-27315-00	LINK, SIDE STAND	1				
10	BME-82566-00	SWITCH, SIDE STAND	1				
11	90149-05037	SCREW	2				
12	90105-10195	BOLT, FLANGE	2				
13	90464-24230	CLAMP	1				
14	BME-27442-00	BRACKET 2	1				
15	B7N-27451-00	FOOTREST 3	1				
16	90508-18134	SPRING, TORSION	1				
17	91701-08040	PIN	1				
18	91402-25015	PIN, COTTER	1				
19	90109-086F8	BOLT	1				
20	BME-27445-00	PLATE 1	1				
21	90111-08093	BOLT, HEXAGON SOCKET BUTTON	2				
22	90110-08220	BOLT, HEXAGON SOCKET HEAD	2				
23	BME-27443-00	BRACKET 3	1				
24	B7N-27461-00	FOOTREST 4	1				
25	90508-18135	SPRING, TORSION	1				
26	91701-08040	PIN	1				
27	91402-25015	PIN, COTTER	1				

FIG. 37 STAND & FOOTREST



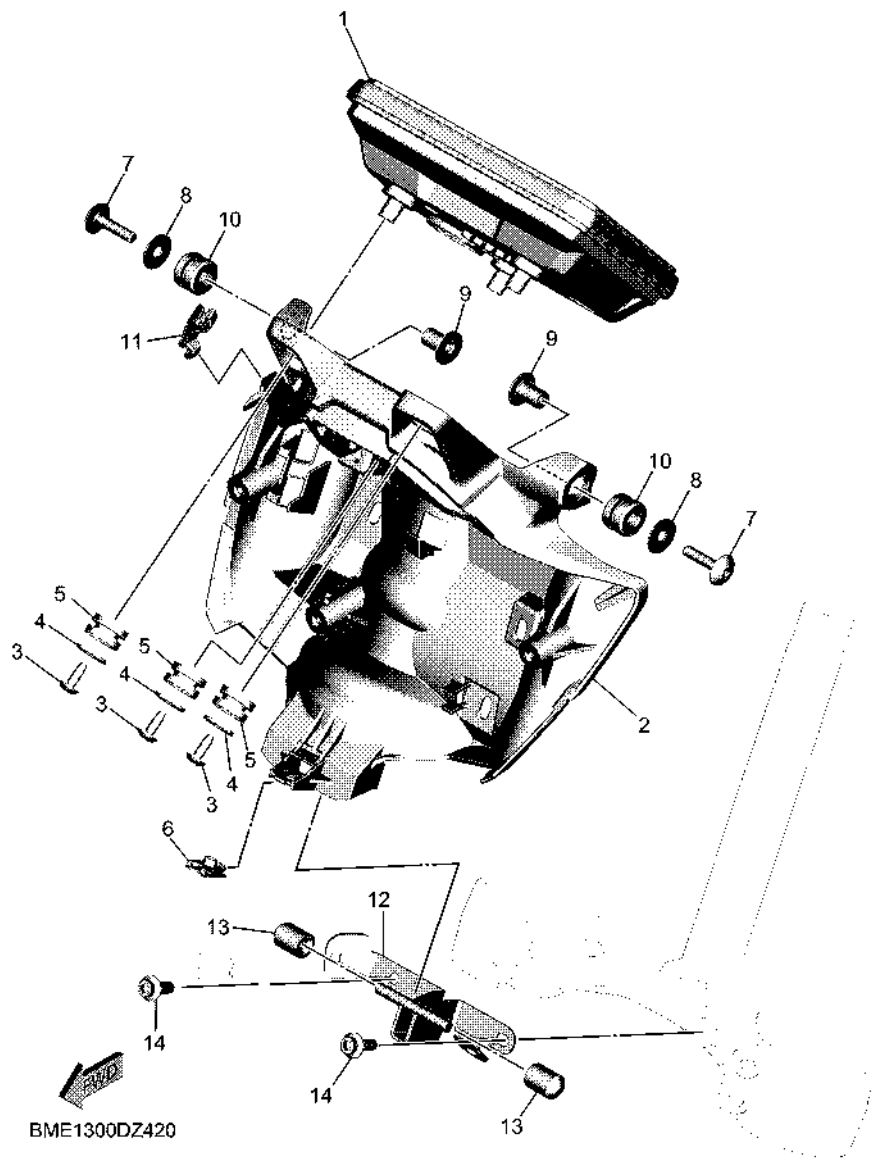
REF. NO.	PART NO.	DESCRIPTION	BWF1				REMARKS
28	90109-086F8	BOLT	1				
29	BME-27446-00	PLATE 2	1				
30	90111-08093	BOLT, HEXAGON SOCKET BUTTON	2				
31	BME-27211-00	PEDAL, BRAKE	1				
32	4C8-27434-01	BOLT	1				
33	90201-08103	WASHER, PLATE	1				
34	92012-06012	BOLT, BUTTON HEAD	2				
35	90506-18022	SPRING, TENSION	1				
36	90446-15386	HOSE	1				
37	BME-82530-00	STOP SWITCH ASSY	1				
38	BME-2144G-00	STAY, STOP SWITCH	1				
39	90110-08220	BOLT, HEXAGON SOCKET HEAD	2				
40	B7N-27431-00	FOOTREST, REAR 1	1				
41	BME-2741L-00	BRACKET 4	1				
42	90501-12743	SPRING, COMPRESSION	1				
43	93501-04011	BALL	1				
44	5VX-27437-00	WASHER, SPECIAL	1				
45	90240-08063	PIN, CLEVIS	1				
46	91402-25015	PIN, COTTER	1				
47	90149-08220	SCREW	2				
48	B7N-27441-00	FOOTREST, REAR 2	1				
49	BME-2742L-00	BRACKET 5	1				
50	90501-12743	SPRING, COMPRESSION	1				
51	93501-04011	BALL	1				
52	5VX-27437-00	WASHER, SPECIAL	1				
53	90240-08063	PIN, CLEVIS	1				
54	91402-25015	PIN, COTTER	1				

FIG. 38 REAR MASTER CYLINDER



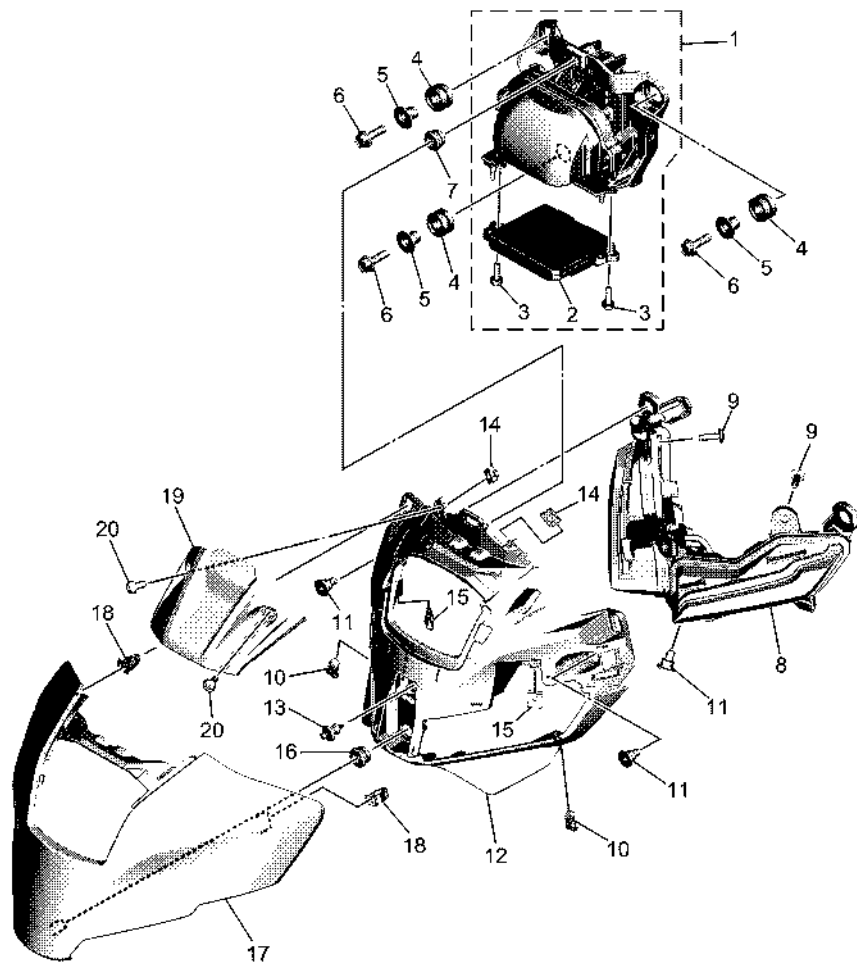
REF. NO.	PART NO.	DESCRIPTION	BWF1				REMARKS
1	90240-08005	PIN, CLEVIS	1				
2	90201-08066	WASHER, PLATE	1				
3	91401-20012	PIN, COTTER	1				
4	90111-08093	BOLT, HEXAGON SOCKET BUTTON	2				
5	56P-2583V-01	RR. MASTER CYLINDER ASSY.	1				
6	56P-25808-50	.CYLINDER KIT, MASTER	1				
7	2D1-2582A-01	.JOINT	1				
8	4BP-2585F-01	.O-RING	1				
9	4BP-27222-02	.JOINT	1				
10	90170-08010	.NUT	2				
11	BAM-25894-50	TANK, RESERVOIR	1				
12	90387-05028	.COLLAR	1				
13	2C0-26326-00	.GROMMET	1				
14	2C0-25852-00	CAP, RESERVOIR	1				
15	2VN-25854-00	DIAPHRAGM, RESERVOIR	1				
16	2VN-25855-00	BUSH,DIAPHRAGM	1				
17	90467-12085	CLIP	2				
18	BME-25895-50	HOSE, RESERVOIR	1				
19	BME-2582E-00	HOLDER, RESERVE TANK	1				
20	90111-05014	BOLT, HEXAGON SOCKET BUTTON	1				
21	90464-16003	CLAMP	1				
22	BME-2581J-00	HOSE, BRAKE 4	1				
23	BME-2581K-00	HOSE, BRAKE 5	1				
24	BME-27267-00	GUIDE, WIRE	1				
25	90149-06233	SCREW	1				
26	90401-10172	BOLT, UNION	4				
27	90430-10005	GASKET	8				

FIG. 42 METER



REF. NO.	PART NO.	DESCRIPTION	BWF1				REMARKS
1	BME-83220-01	CONNECTED METER ASSY.	1				
2	BME-83519-00	BRACKET, METER	1				
3	90160-05017	SCREW, ROUND TAPPING	3				
4	90201-05036	WASHER, PLATE	3				
5	4XV-83513-00	DAMPER	3				
6	90183-06069	NUT, SPRING	1				
7	90111-06189	BOLT, HEXAGON SOCKET BUTTON	2				
8	90201-06063	WASHER, PLATE	2				
9	90387-06136	COLLAR	2				
10	90480-14102	GROMMET	2				
11	BME-83365-00	CAP	1				
12	BME-8431R-00	STAY, SETTING	1				
13	1WS-84527-00	DAMPER	2				
14	90110-06107	BOLT, HEXAGON SOCKET HEAD	2				

FIG. 43 HEADLIGHT



 BME1300DZ430

REF. NO.	PART NO.	DESCRIPTION	BWF1			REMARKS
1	BME-84300-00	HEADLIGHT ASSY	1			
2	BME-85490-00	.LIGHT CONTROL UNIT	1			
3	2PW-84192-00	.SCREW, SPECIAL	2			
4	4XV-83513-00	DAMPER	3			
5	90387-06161	COLLAR	3			
6	95802-06020	BOLT, FLANGE	3			
7	90480-10003	GROMMET	1			
8	BME-84301-00	PILOT LIGHT ASSY 1	1			
9	97702-50016	SCREW, TAPPING	2			
10	90464-04005	CLAMP	2			
11	90109-06232	BOLT	3			
12	BME-84369-00	COVER 1	1			
13	90269-06008	RIVET	1			
14	90183-05061	NUT, SPRING	2			
15	90183-05042	NUT, SPRING	2			
16	90480-10003	GROMMET	1			
17	BME-23122-00-P1	COVER, OUTER 1	1			UR FOR DBNM8
	BME-23122-00-P2	COVER, OUTER 1	1			UR FOR MDNM6
18	90464-07018	CLAMP	2			
19	BME-83559-00	COVER, METER	1			
20	90111-05048	BOLT, HEXAGON SOCKET BUTTON	2			

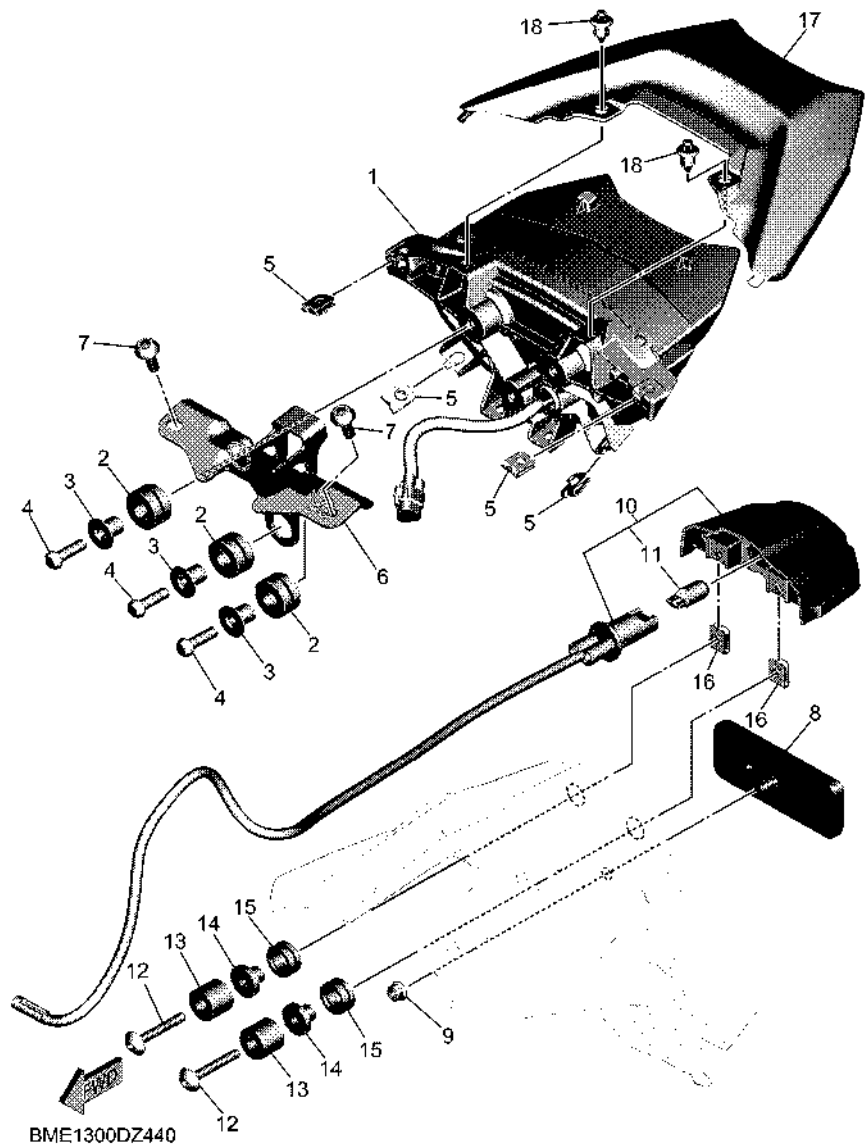
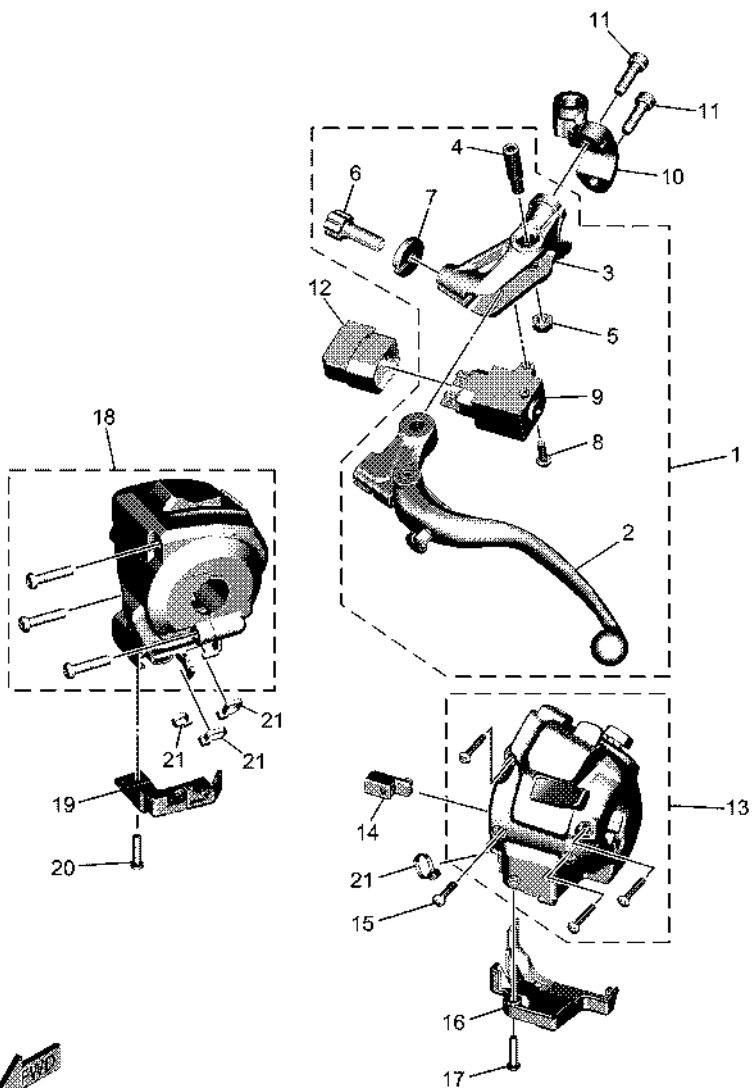


FIG. 44 TAILLIGHT

REF. NO.	PART NO.	DESCRIPTION	BWF1				REMARKS
1	BME-84700-00	TAILLIGHT ASSY	1				
2	90480-14229	GROMMET	3				
3	90387-06289	COLLAR	3				
4	92012-06020	BOLT, BUTTON HEAD	3				
5	90183-05076	NUT, SPRING	4				
6	BME-2117E-00	BRACKET, TAILLIGHT	1				
7	90111-06029	BOLT, HEXAGON SOCKET BUTTON	2				
8	3Y6-85130-02	REAR REFLECTOR ASSY	1				
9	95602-05200	NUT, SELF-LOCKING	1				
10	2PN-84745-02	LICENCE LIGHT UNIT ASSY	1				
11	2DP-H4347-00	.BULB (12V-5W)	1				
12	90111-05006	BOLT, HEXAGON SOCKET BUTTON	2				
13	90387-08125	COLLAR	2				
14	90387-05044	COLLAR	2				
15	90480-14017	GROMMET	2				
16	90183-05076	NUT, SPRING	2				
17	BME-2172X-00	COVER, TAILLIGHT	1				
18	90269-06008	RIVET	2				

FIG. 45 HANDLE SWITCH & LEVER



BME1300DZ451

REF. NO.	PART NO.	DESCRIPTION	BWF1				REMARKS
1	BME-82910-10	LEVER HOLDER ASSY (LEFT)	1				
2	BME-83922-00	.LEVER 2	1				
3	BME-82911-10	.HOLDER, LEVER 1	1				
4	BME-2589F-00	.BOLT, LEVER	1				
5	95617-06100	.NUT, SELF-LOCKING	1				
6	BME-26382-00	.BOLT, AJUSTING	1				
7	90179-08148	.NUT	1				
8	BME-2632G-00	.SCREW	1				
9	BME-82917-00	.SWITCH	1				
10	BME-2629N-10	BRACKET, MIRROR 1	1				
11	91314-06020	BOLT, HEXAGON SOCKET HEAD	2				
12	BME-8291G-00	COVER, SWITCH	1				
13	BME-8291L-00	SW., HANDLE LH	1				
14	BME-83525-00	CLIP	1				
15	98507-04016	SCREW, PAN HEAD	1				
16	BME-8246B-00	COVER 1	1				
17	98507-04018	SCREW, PAN HEAD	1				
18	BME-8291R-00	SW., HANDLE RH	1				
19	BME-8249A-00	COVER 2	1				
20	98507-04018	SCREW, PAN HEAD	1				
21	90465-10098	CLAMP	4				

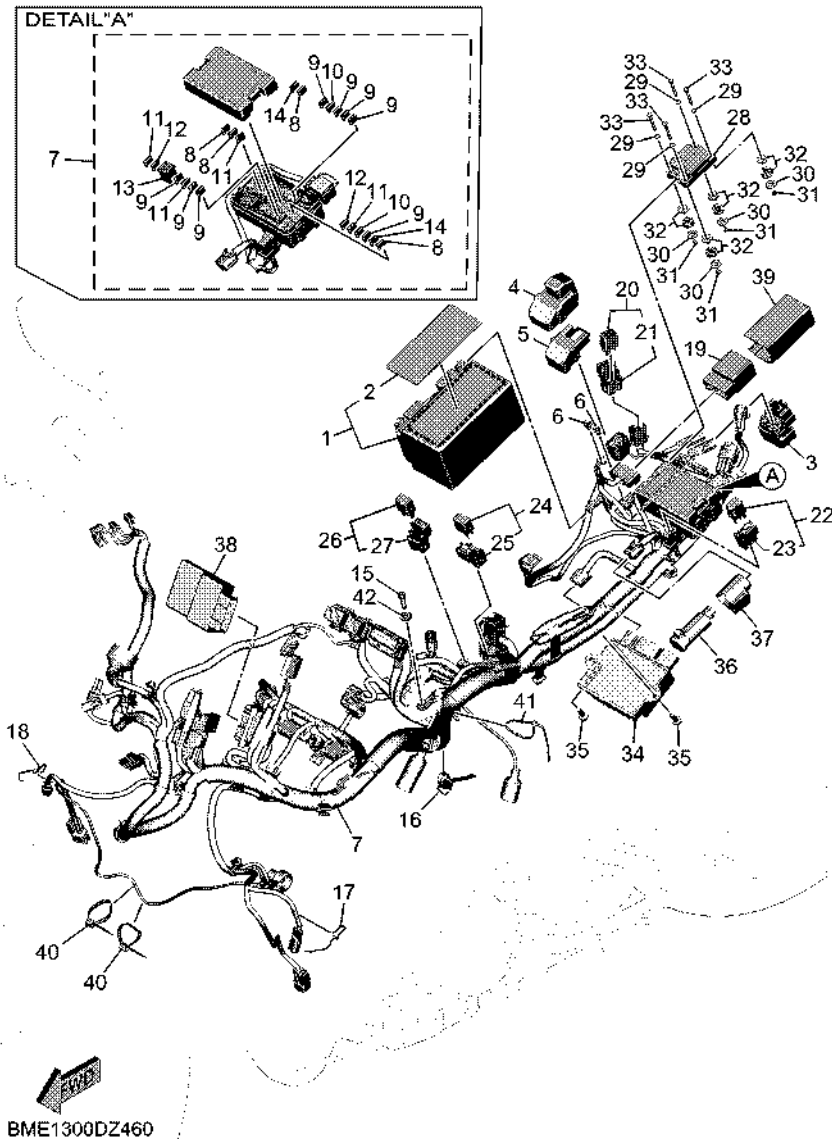


FIG. 46 ELECTRICAL 1

REF. NO.	PART NO.	DESCRIPTION	BWF1				REMARKS
1	BME-82110-01	BATTERY ASSY (YUASA YTZ10S)	1				
2	BME-82118-00	.SEAL, BATTERY	1				
3	B7N-81940-00	STARTER RELAY ASSY	1				
4	BME-81942-00	COVER	1				
5	5SL-82119-30	COVER, LEAD WIRE	1				
6	90105-06230	BOLT, FLANGE	2				
7	BME-82590-20	WIRE HARNESS ASSY	1				
8	B7N-82151-80	.FUSE (2A)	4				
9	B7N-82151-00	.FUSE (7.5A)	8				
10	B7N-82151-30	.FUSE (10A)	2				
11	B7N-82151-10	.FUSE (15A)	4				
12	B7N-82151-60	.FUSE (30A)	2				
13	B7N-82151-B1	.FUSE (50A)	1				
14	BLG-82151-90	.FUSE (5A)	2				
15	91317-06020	BOLT, HEXAGON SOCKET HEAD	1				
16	90464-25009	CLAMP	1				
17	90465-10098	CLAMP	1				
18	90465-10098	CLAMP	1				
19	5VK-81950-52	RELAY ASSY (G8R-30Y-V5)	1				
20	1TP-81950-00	RELAY ASSY (1TP-00)	1				
21	5EA-81952-00	.HOLDER, RELAY	1				
22	1TP-81950-00	RELAY ASSY (1TP-00)	1				
23	5EA-81952-00	.HOLDER, RELAY	1				
24	1TP-81950-00	RELAY ASSY (1TP-00)	1				
25	5EA-81952-00	.HOLDER, RELAY	1				
26	1TP-81950-00	RELAY ASSY (1TP-00)	1				
27	5EA-81952-00	.HOLDER, RELAY	1				

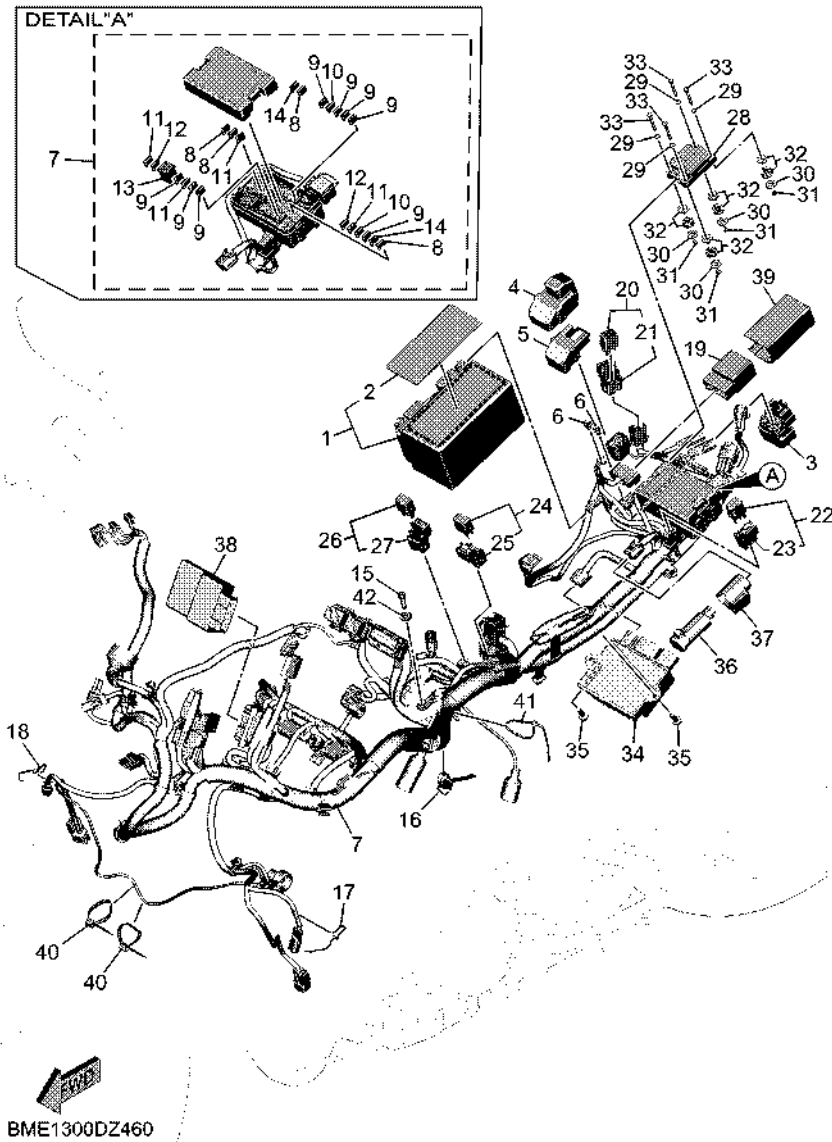
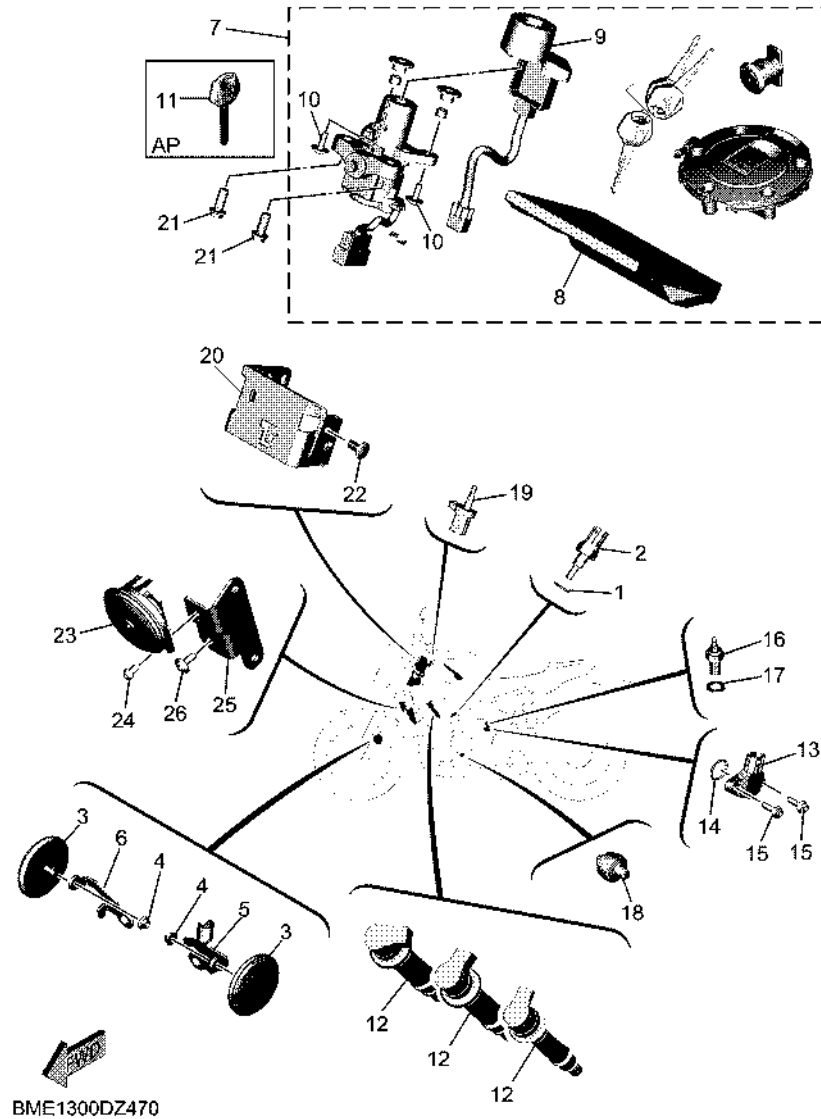


FIG. 46 ELECTRICAL 1

REF. NO.	PART NO.	DESCRIPTION	BWF1	REMARKS
28	BME-8593A-00	INERTIAL MEASURE, UNIT ASSY	1	
29	92902-04600	WASHER, PLATE	4	
30	90201-04034	WASHER, PLATE	4	
31	95607-04100	NUT, U	4	
32	B7N-W8A8D-00	GROMMET AND COLLAR SET	4	
33	91317-04030	BOLT, HEXAGON SOCKET HEAD	4	
34	BME-81963-01	GENERATOR CONTROL UNIT	1	
35	95D37-06016	BOLT, FLANGE DEEP RECESS	2	
36	BME-821E0-00	USB ASSY	1	
37	BME-82591-00	BAND	1	
38	BME-85903-00	BODY CONT,MODULE ASSY	1	
39	1WS-8246B-00	COVER 1	1	
40	90464-13073	CLAMP	2	(125.0x7.0)
41	1UA-82591-00	BAND	1	
42	90201-060H9	WASHER, PLATE	1	

FIG. 47 ELECTRICAL 2



REF. NO.	PART NO.	DESCRIPTION	BWF1				REMARKS
1	90430-10004	GASKET	1				
2	4P9-83591-00	THERMO UNIT	1				
3	59C-85131-00	REFLECTOR, REAR 1	2				
4	95702-05500	NUT, FLANGE	2				
5	BME-85112-00	BRACKET, REFLECTOR 1	1				
6	BME-85122-00	BRACKET, REFLECTOR 2	1				
7	BME-W8250-00	MAIN SW. IMMOBILIZER KIT	1				
8	BME-8591A-00	.ENGINE CONTROL UNIT ASSY	1				
9	BME-8255P-00	.IMMOBILIZER. UNIT COMP.	1				
10	5SL-82113-01	.SCREW	2				
11	5SL-82511-08	BLANK KEY	1				AP
12	BME-82310-00	IGNITION COIL ASSY	3				
13	2CR-85899-10	SENSOR, GEAR POSITION	1				
14	93210-17008	O-RING	1				
15	90110-05067	BOLT, HEXAGON SOCKET HEAD	2				
16	3GB-82540-01	NEUTRAL SWITCH ASSY	1				
17	90430-10148	GASKET	1				
18	1WS-82504-01	OIL PRESSURE SWITCH ASSY	1				
19	5YU-85886-00	SENSOR, AIR TEMPERATURE	1				
20	B7N-82599-01	COVER, CONNECTOR	1				
21	90105-081A1	BOLT, FLANGE	2				
22	90269-07015	RIVET	1				
23	BME-83371-00	HORN	1				
24	92017-06010	BOLT, BUTTON HEAD	1				
25	BME-23377-00	BRACKET, HORN	1				
26	90111-06127	BOLT, HEXAGON SOCKET BUTTON	1				

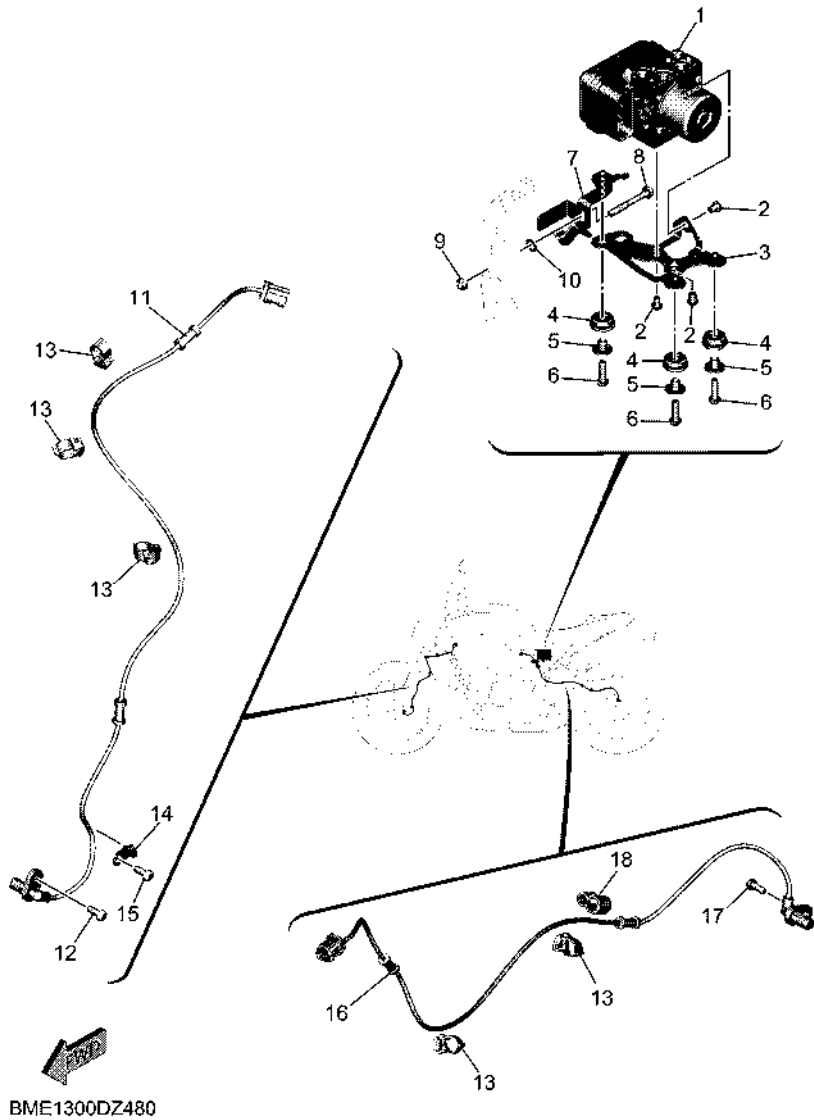


FIG. 48 ELECTRICAL 3

REF. NO.	PART NO.	DESCRIPTION	BWF1				REMARKS
1	BME-85930-07	HYDRAULIC UNIT ASSY	1				
2	90111-06204	BOLT, HEXAGON SOCKET BUTTON	3				
3	BME-85991-00	BRACKET, UNIT	1				
4	90480-13567	GROMMET	3				
5	90387-06160	COLLAR	3				
6	92012-06020	BOLT, BUTTON HEAD	3				
7	BME-85542-00	BRACKET	1				
8	95027-06045	BOLT, FLANGE	1				
9	95607-06100	NUT, SELF-LOCKING	1				
10	90201-06034	WASHER, PLATE	1				
11	BME-85970-00	WHEEL SENSOR ASSY, FRONT	1				
12	92017-06014	BOLT, BUTTON HEAD	1				
13	90464-14010	CLAMP	5				
14	2CR-23317-00	HOLDER, CABLE	1				
15	92017-06014	BOLT, BUTTON HEAD	1				
16	BME-85980-00	WHEEL SENSOR ASSY, REAR	1				
17	92014-06014	BOLT, BUTTON HEAD	1				
18	90464-10233	CLAMP	1				

NUMERICAL INDEX

PART NO.	REF. NO.	PART NO.	REF. NO.	PART NO.	REF. NO.	PART NO.	REF. NO.	PART NO.	REF. NO.	PART NO.	REF. NO.
BME-11101-09	2 - 1	1HX-12168-Y1	4 - 9	1RC-13355-00	8 - 2	BME-14703-10	12 - 1	2CR-16337-00	16 - 11	BME-2117E-00	44 - 6
5VY-1111G-00	2 - 18	1HX-12169-11	4 - 9	B7N-13400-01	9 - 3	B7N-14867-00	14 - 15	1RC-16340-01	16 - 21	B7N-2117F-00	20 - 28
	2 - 20	1HX-12169-31	4 - 9	B7N-13410-00	8 - 5	B7N-15100-29	13 - 1	132-16346-00	19 - 2	BEA-2117X-00	20 - 29
2C0-11133-11	2 - 2	1HX-12169-50	4 - 9	B7N-13414-01	9 - 6	B7N-15138-00	13 - 4	B7N-16350-00	16 - 8	BEA-2117Y-00	20 - 30
B7N-11165-00	2 - 14	1HX-12169-70	4 - 9	5GH-13440-90	1 - 2	5EB-15155-00	13 - 2	B90-16352-00	16 - 10	BME-21190-09	20 - 2
B7N-11169-00	2 - 15	1HX-12169-90	4 - 9		9 - 2	23P-15156-00	13 - 10	B7N-16356-00	16 - 20	5VX-21289-00	20 - 26
B7N-11181-00	2 - 10	1HX-12169-E0	4 - 9	BS2-13470-10	9 - 8	B7N-15163-00	17 - 2	B7N-16371-00	16 - 3	B5U-21315-00	20 - 19
B7N-11191-00	2 - 11	1HX-12169-G0	4 - 9	2HC-13473-00	9 - 9	BME-15189-00	13 - 6	5VY-16382-10	16 - 30	B5U-21316-00	20 - 20
B7N-11193-00	2 - 13	1HX-12169-J0	4 - 9	68V-13533-00	10 - 7	36Y-15189-01	13 - 22	1TD-16383-01	16 - 12	BME-2137F-00	20 - 22
214-11198-01	9 - 5	1HX-12169-L0	4 - 9	B7N-13542-00	10 - 22	2CR-15319-02	13 - 19	1TD-16384-00	16 - 13	BME-2137G-00	20 - 25
B7N-11400-01	3 - 1	1HX-12169-N0	4 - 9	8FP-13556-00	10 - 4	2H7-15361-00	13 - 18	B7N-17121-01	17 - 13	BME-2137W-00-P1	29 - 19
2S3-11413-00	3 - 14	1HX-12169-TO	4 - 9	8GL-13571-00	10 - 12	5GJ-15363-10	14 - 22	BME-17131-00	17 - 8	BME-2137X-00-P1	29 - 24
2S3-11413-10	3 - 14	B7N-12170-00	5 - 1	8HG-13573-00	10 - 11	B7N-15377-00	13 - 28	BME-17151-00	17 - 5	2C0-21414-00	20 - 7
2S3-11413-20	3 - 14	B7N-12176-00	5 - 3	B7N-13635-00	11 - 1	B7N-15381-00	17 - 15	BME-17161-00	17 - 10	5VY-21424-00	20 - 8
2S3-11413-30	3 - 14	B7N-12180-00	5 - 2	B7N-13636-00	11 - 3	B7N-15393-00	11 - 21	B7N-17211-01	17 - 34	BME-21445-00	37 - 56
2S3-11413-40	3 - 14	B7N-12210-01	5 - 6	BME-13750-00	10 - 1	BME-15411-00	14 - 1	B7N-17221-01	17 - 23	B7N-21446-10	37 - 57
BME-11416-00	3 - 5	14B-12213-00	5 - 7	B7N-13761-00	10 - 2	B7N-15416-00	14 - 24	BME-17231-00	17 - 31	BME-2144G-00	37 - 38
BME-11416-10	3 - 5	5BE-12241-01	2 - 12	1RC-13907-20	27 - 11	BME-15418-00	13 - 29	BME-17241-00	17 - 28	4C8-21495-00	20 - 18
BME-11416-20	3 - 5	B7N-12250-00	5 - 10	B7N-13930-00	10 - 8	B7N-15421-00	14 - 16	BME-17251-00	17 - 32	B7N-21511-00-P1	21 - 1
BME-11416-30	3 - 5	1RC-12251-00	5 - 9	B7N-13971-00	27 - 15	B7N-15441-00	13 - 26	BME-17261-00	17 - 26	B7N-21511-00-P2	21 - 1
BME-11416-A0	3 - 5	5VY-12277-00	26 - 14	2C0-14105-00	10 - 16	BD5-15451-01	14 - 6	B7N-17411-01	17 - 1	4C8-21568-11	27 - 30
1RC-11500-01	3 - 13		26 - 33	8A7-14139-00	10 - 6	B7N-15456-01	14 - 25	B7N-17414-00	17 - 38	B7N-21629-00	21 - 18
BME-11603-00	3 - 7	BME-12405-01	7 - 2	5PS-14147-00	10 - 3	B7N-15461-01	16 - 34	B7N-17421-01	17 - 18	BME-2163E-00	21 - 23
B7N-11631-00	3 - 6	B7N-12410-00	6 - 21	895-14169-00	10 - 5	1RC-15484-00	14 - 13	2CR-17460-00	33 - 28	B7N-21649-00	21 - 10
39P-11633-00	3 - 8	B7N-12420-00	6 - 1	2C0-14216-00	10 - 10	BME-15484-00	14 - 27	B7N-18101-00	19 - 8	BME-2164F-00	21 - 21
BME-11650-00	3 - 2	B7N-12422-00	6 - 3	8CC-14216-10	10 - 15	B5Y-1548B-00	14 - 28	BME-18111-00	19 - 17	BME-2164G-00	21 - 22
1RC-11654-00	3 - 3	5VK-12438-00	6 - 7	3XV-14251-00	10 - 19	B7N-15499-00	14 - 20	B7N-18112-00	19 - 14	B7N-21650-01	23 - 13
BME-11656-00	3 - 4	1RC-12439-00	6 - 11	5FL-14348-00	10 - 17	1RC-15512-10	15 - 1	BME-18113-00	19 - 22	BME-21651-00	22 - 21
BME-11656-10	3 - 4	B7N-1243A-00	7 - 18	5FL-14348-10	10 - 20	1RC-15515-10	15 - 5	B7N-18115-00	19 - 23	BM6-21668-01	23 - 40
BME-11656-20	3 - 4	1RC-12450-10	6 - 2	8FP-14349-00	10 - 18	5EB-15521-00	15 - 2	5LV-18116-10	19 - 28	B7N-21682-00	21 - 24
BME-11656-30	3 - 4	1RC-12459-00	6 - 4	BME-14411-00	11 - 6	1RC-15590-00	15 - 3	5LV-18117-00	19 - 19	BME-21711-00-P1	22 - 1
1RC-12111-01	4 - 1	BME-12461-00	7 - 1	BME-14417-00	11 - 25	B7N-15789-00	14 - 21	1D7-18127-00	19 - 4	BME-21711-00-P2	22 - 1
BFD-12113-00	4 - 4	5SL-12462-01	7 - 9	BME-14421-00	11 - 7	B7N-16150-00	16 - 1	B7N-18140-00	19 - 11	2RP-21719-00	27 - 18
BFD-12114-00	4 - 5	B7N-12467-00	7 - 5	B7N-14425-00	11 - 19	363-16154-00	16 - 2	B7N-18143-00	19 - 1		27 - 23
3D7-12116-00	4 - 3	1RC-12469-00	6 - 23	B7N-14426-01	11 - 20	2C0-16164-00	16 - 26	4XV-18154-00	19 - 18	BME-2171E-00	7 - 32
3D7-12117-00	4 - 6	1RC-12564-00	14 - 7	1WS-1443E-00	11 - 17	B7N-16164-00	16 - 25		19 - 30	BME-2171X-00	7 - 34
1WG-12118-00	4 - 7	B7N-12576-00	6 - 35	BME-1443J-00	10 - 29	B7N-16173-00	16 - 9	B7N-18175-00	19 - 10	BME-21721-00-P1	22 - 4
2HC-12119-00	4 - 8	1RC-12577-00	6 - 18	BME-14451-00	1 - 3	1RC-16181-00	16 - 27	1RC-18511-00	18 - 2	BME-21721-00-P2	22 - 4
1RC-12121-01	4 - 2	BS2-12578-00	6 - 26		11 - 8	B7N-16321-00	16 - 4	1RC-18512-00	18 - 3	1RC-2172W-00	7 - 43
B4T-12153-00	4 - 10	BS2-12579-00	6 - 29	BME-14452-00	11 - 9	1TD-16324-00	16 - 7	1RC-18513-00	18 - 4	BME-2172X-00	44 - 17
B4T-12153-09	4 - 10	B7N-12588-00	6 - 32	B7N-14453-00	11 - 11	BR9-16324-10	16 - 14	B7N-18531-00	18 - 5	BME-21731-00	22 - 7
1HX-12168-F0	4 - 9	B7N-12638-01	7 - 11	B7N-14454-00	11 - 13		16 - 15	B7N-18535-00	18 - 6	BME-21737-10	29 - 35
1HX-12168-H1	4 - 9	5GJ-12675-00	7 - 3	B7N-14463-00	11 - 12	4B1-16325-00	16 - 14	B7N-18536-00	18 - 8		29 - 36
1HX-12168-K1	4 - 9	BME-12858-00	9 - 1	BME-14465-00	10 - 24		16 - 15	BME-18540-00	18 - 1	BME-21737-20	29 - 35
1HX-12168-M1	4 - 9	5VY-13117-10	8 - 8	BME-14466-00	10 - 25	5VY-16325-10	16 - 6	B7N-18562-00	18 - 9		29 - 36
1HX-12168-R1	4 - 9	B7N-1316E-00	8 - 11	8HG-14534-00	10 - 13		16 - 14	BME-2111B-09	20 - 1	BME-21741-00	22 - 14
1HX-12168-U1	4 - 9	1RC-1319L-10	6 - 8	4XY-14568-00	28 - 8		16 - 15	BME-2116B-00	21 - 13	1RC-21748-00	7 - 50
1HX-12168-W1	4 - 9	B7N-13300-00	8 - 1	4FM-14613-00	12 - 4	B90-16331-00	16 - 5	BME-2116H-00	21 - 11	1RC-21749-00	7 - 47

NUMERICAL INDEX

PART NO.	REF. NO.	PART NO.	REF. NO.	PART NO.	REF. NO.	PART NO.	REF. NO.	PART NO.	REF. NO.	PART NO.	REF. NO.
BME-2175T-00	7 - 22	4FM-23171-40	26 - 9	1RC-24486-00	27 - 13	1RC-2580U-00	32 - 16	13S-25919-00	32 - 11	B7N-27461-00	37 - 24
BME-2175U-00	7 - 27		26 - 28	1RC-24491-00	27 - 12	B7N-2580W-00	34 - 5		32 - 22	33M-28125-00	30 - 12
59C-2176V-00	30 - 9	278-23181-50	26 - 12	BME-24602-00	28 - 1	BME-2581J-00	38 - 22	5SL-25919-00	34 - 10	BME-28135-00	30 - 15
B7N-21816-00	7 - 42		26 - 31	BME-24710-00	30 - 1	BME-2581K-00	38 - 23	B7N-25921-50	34 - 12	BME-28138-00	30 - 16
B7N-21826-00	7 - 39	BEA-2319U-00	25 - 8	5JW-24741-00	30 - 2	1RC-2581T-00	32 - 1	4SV-25924-00	32 - 12	2H7-28151-00	30 - 14
1RC-21828-00	7 - 38	2CR-23317-00	48 - 14		30 - 6	1J3-25824-00	32 - 14		32 - 23	2GV-28152-00	30 - 13
1RC-21871-00	7 - 36	BME-23340-00	26 - 38	BME-24750-00	30 - 5		32 - 25	8CR-25924-00	34 - 15	B7N-28186-00	30 - 17
B7N-21875-00	7 - 37	3LC-23357-00	26 - 16	BME-2478X-00	30 - 10	3YK-25824-00	36 - 3	3GM-25925-00	32 - 13	BME-2836K-00	29 - 29
B7N-22110-00	23 - 1		26 - 35	B67-24847-10	25 - 14	8CR-25824-00	34 - 18		32 - 24	BME-2836L-00	29 - 32
5VY-22128-00	23 - 5	BME-23377-00	47 - 25	B67-24848-10	25 - 15	3YK-25825-00	36 - 4	1RC-25926-00	34 - 17	BME-2837V-00	29 - 9
B7N-22141-00	23 - 34	4XV-23415-01	25 - 2	4XV-25117-00	31 - 2	306-25825-01	32 - 15	5VY-25975-00	36 - 7	BME-2837W-00	29 - 11
B7N-22151-00	23 - 9	4XV-23418-00	25 - 4	B7N-25168-00-98	31 - 1		32 - 26	BME-26111-00	35 - 1	682-44532-01	30 - 4
BME-2217A-00	23 - 23	BME-23435-00	25 - 9	B7N-25168-00-P2	31 - 1	1UY-25825-51	34 - 19	BME-2612E-00	36 - 42	663-45119-01	7 - 10
BME-2217M-00	23 - 26	1RC-23441-11	25 - 11	1SD-2517G-00	32 - 3	5SL-25827-00	34 - 20	BME-26132-00	7 - 15	BME-81410-01	39 - 2
BME-22210-00	24 - 1	1RC-2344A-11	25 - 12	2PW-2517G-00	34 - 3	5SL-25827-10	34 - 21	BME-26240-00	35 - 5	BME-81450-00	39 - 1
BME-22538-00	23 - 18	3FV-23462-00	26 - 39	4XV-25181-10	31 - 9	5SL-25828-01	34 - 22	2C0-26241-00	35 - 2	BME-81815-00	40 - 9
B7N-22825-00	7 - 41	BME-24105-00	27 - 25	B7N-251G3-00	31 - 10	B5Y-2582A-00	36 - 5	BME-2624B-00	35 - 3	28P-81826-00	40 - 2
BME-23102-00	26 - 20	BME-2411F-00	27 - 16	B7N-251G3-10	31 - 10	2D1-2582A-01	38 - 7	5SL-26277-00	36 - 10	4XV-8182A-00	40 - 6
BME-23103-00	26 - 1	BME-2411L-00	27 - 21	B7N-25338-00-98	33 - 3	BME-2582E-00	38 - 19	BME-26280-00	35 - 7		40 - 11
BME-23110-00	26 - 22	BME-2412J-00	27 - 20	BD5-25364-00	33 - 9	1RC-2582W-00	34 - 1	BME-26290-00	35 - 8	4B5-81840-00	40 - 4
BS2-23111-03	26 - 36	BME-2412K-00	27 - 24	2CR-25366-00	33 - 14	5SL-25838-00	34 - 9	BME-2629K-00	36 - 27	11H-81844-00	40 - 8
BS2-23111-13	26 - 17	BME-2413B-00	27 - 31	13S-25376-00	33 - 21	BME-2583T-00	36 - 1	BME-2629N-10	45 - 10	1FK-81847-00	40 - 7
5VY-23118-00	26 - 15	BME-24141-00	29 - 1	5EB-25377-00	33 - 13	56P-2583V-01	38 - 5	2C0-26326-00	38 - 13	3TB-81847-00	40 - 3
	26 - 34	BME-2414B-00	27 - 32	B7N-2537W-00	33 - 18	BME-2584A-00	36 - 35	5SL-26326-00	36 - 9		40 - 5
BME-23120-00	26 - 3	BME-2414H-00	27 - 29	4XV-25381-10	33 - 25	BME-2584B-00	36 - 37	BME-2632G-00	45 - 8	4B5-81871-00	40 - 10
BME-23122-00-P1	43 - 17	B67-24161-01	27 - 33	4XV-25388-00	33 - 23	2C0-25852-00	38 - 14	BME-26335-00	35 - 6	BFD-81890-00	40 - 1
BME-23122-00-P2	43 - 17	B67-24161-50	27 - 33	4XV-25389-00	33 - 24	5VY-25852-00	36 - 13	BME-26382-00	45 - 6	B7N-81940-00	46 - 3
4KM-23123-01	26 - 42	B7N-24170-00	28 - 10	23P-25398-00	31 - 7	2VN-25854-00	38 - 15	371-27114-00	30 - 3	BME-81942-00	46 - 4
1RC-23125-00	26 - 8	BME-24181-00	27 - 4		33 - 12	5VY-25854-00	36 - 11	B7N-27114-00	30 - 7	1TP-81950-00	46 - 20
	26 - 27		27 - 6	B7N-25445-00	33 - 17	2VN-25855-00	38 - 16	BME-27211-00	37 - 31		46 - 22
B7N-23126-00	26 - 2	BME-24183-00	28 - 11	4SV-25802-00	32 - 8	5VY-25855-00	36 - 12	4BP-27222-02	38 - 9		46 - 24
	26 - 21	BAG-24188-00	27 - 9		32 - 19	4BP-2585F-01	36 - 6	BME-27267-00	38 - 24		46 - 26
BME-23141-00	26 - 13	BME-24188-00	27 - 8	5SL-25802-00	34 - 6		38 - 8	BME-27311-00	37 - 1	5VK-81950-52	46 - 19
	26 - 32	BME-2418B-00	29 - 13	4SV-25802-10	32 - 6	B5Y-25867-10	36 - 22	B7N-27315-00	37 - 9	5EA-81952-00	46 - 21
4EB-23144-00	26 - 4	BME-24191-00	27 - 3		32 - 17	BME-25872-00	36 - 29	B7N-27321-00	37 - 2		46 - 23
	26 - 23	BME-24192-00	27 - 5	5SL-25803-00	34 - 7	BME-25875-00	36 - 36	BME-2741L-00	37 - 41		46 - 25
4EB-23145-01	26 - 6	BME-2419B-00	29 - 16	3GM-25803-10	32 - 7	BAM-25894-00	36 - 8	BME-2742L-00	37 - 49		46 - 27
	26 - 25	BME-241B1-00-P0	29 - 6		32 - 18	BAM-25894-50	38 - 11	B7N-27431-00	37 - 40	BME-81963-01	46 - 34
36Y-23146-10	26 - 7	BME-24240-10	27 - 2	3MA-25803-10	32 - 9	BEA-25895-00	36 - 15	4C8-27434-01	19 - 32	BME-82110-01	46 - 1
	26 - 26	BME-24240-20	27 - 2		32 - 20	BME-25895-50	38 - 18		37 - 32	5SL-82113-01	47 - 10
3XJ-23147-L2	26 - 18	BME-24312-00	28 - 6	5SL-25805-00	1 - 4	B5Y-2589F-00	36 - 16	5VX-27437-00	37 - 44	BME-82118-00	46 - 2
	26 - 37	BME-24313-00	28 - 13		32 - 10	BME-2589G-00	45 - 4		37 - 52	5SL-82119-30	46 - 5
26H-23156-00	26 - 5	BME-24315-00	28 - 4		32 - 21	5VY-2589G-00	36 - 24	B7N-27441-00	37 - 48	BME-8212B-00	21 - 4
	26 - 24	BME-24316-00	28 - 15	5VX-25806-00	1 - 5	5VY-2589H-00	36 - 25	BME-27442-00	37 - 14	B7N-82151-00	46 - 9
509-23158-L0	26 - 11	BME-24317-00	28 - 17		34 - 14	5SL-25914-00	34 - 11	BME-27443-00	37 - 23	B7N-82151-10	46 - 11
	26 - 30	BME-24339-00	27 - 26	56P-25808-50	38 - 6	5DH-25916-50	34 - 16	BME-27445-00	37 - 20	B7N-82151-30	46 - 10
BME-23170-00	26 - 29	68V-24376-00	10 - 21	B5Y-2580B-00	36 - 2	3JD-25917-00	34 - 13	BME-27446-00	37 - 29	B7N-82151-60	46 - 12
BME-23170-10	26 - 10	BME-24398-00	28 - 12	1RC-2580T-00	32 - 5	5SL-25917-00	34 - 8	B7N-27451-00	37 - 15	B7N-82151-80	46 - 8

NUMERICAL INDEX

PART NO.	REF. NO.	PART NO.	REF. NO.	PART NO.	REF. NO.	PART NO.	REF. NO.	PART NO.	REF. NO.	PART NO.	REF. NO.
BLG-82151-90	46 - 14	2PN-84745-02	44 - 10	90105-08171	21 - 16	90110-06396	14 - 26	90149-06068	13 - 21	90201-06034	48 - 10
B7N-82151-B1	46 - 13	BME-85112-00	47 - 5	90105-081A1	47 - 21	90110-06431	13 - 27	90149-06086	17 - 16	90201-06063	42 - 8
34D-82176-00	20 - 27	BME-85122-00	47 - 6	90105-10030	23 - 24	90110-06432	8 - 4	90149-06104	23 - 15	90201-06071	7 - 17
BME-821E0-00	46 - 36	3Y6-85130-Q2	44 - 8		23 - 38	90110-06434	7 - 49		23 - 19	90201-060H9	46 - 42
BME-82310-00	47 - 12	59C-85131-00	47 - 3	90105-10195	37 - 12	90110-08126	20 - 24	90149-06158	18 - 10	90201-08052	23 - 22
1WS-82380-00	10 - 9	BME-85132-00	36 - 38	90105-10211	37 - 31	90110-08220	37 - 22	90149-06213	17 - 17	90201-08066	38 - 2
1WS-8246B-00	46 - 39	BME-85490-00	43 - 2	90105-10440	32 - 27		37 - 39	90149-06233	38 - 25	90201-08103	19 - 34
BME-8246B-00	45 - 16	BME-85542-00	48 - 7	90105-10452	37 - 58	90110-10043	20 - 11	90149-08030	15 - 4		37 - 33
BME-82480-00	19 - 25	B3L-85885-01	10 - 14	90105-10487	20 - 15	90111-05002	7 - 33	90149-08220	37 - 47	90201-087G2	12 - 8
BME-8249A-00	45 - 19	5YU-85886-00	47 - 19	90105-10488	20 - 16		7 - 35		37 - 55	90201-10013	20 - 10
1WS-82504-01	47 - 18	2CR-85899-10	47 - 13	90105-12032	3 - 11		22 - 11	90149-10082	20 - 4	90201-10029	16 - 23
5SL-82511-08	47 - 11	BME-85903-00	46 - 38	90109-06100	13 - 17		22 - 18	90149-10083	20 - 3	90201-10075	20 - 14
BME-82530-00	37 - 37	BME-8591A-00	47 - 8	90109-061F7	2 - 8	90111-05006	44 - 12	90160-05012	21 - 25		37 - 5
3GB-82540-01	47 - 16	BN6-8592A-10	12 - 2	90109-06232	43 - 11	90111-05014	38 - 20	90160-05013	11 - 10	90201-10084	20 - 12
BME-82549-00	36 - 26	BME-85930-07	48 - 1	90109-06271	2 - 19	90111-05020	29 - 5	90160-05017	42 - 3	90201-101J1	24 - 6
BME-8255P-00	47 - 9	BME-8593A-00	46 - 28	90109-06336	22 - 8	90111-05026	36 - 28	90167-05079	29 - 21	90201-12008	3 - 12
BME-82566-00	37 - 10	BME-85970-00	48 - 11		22 - 15	90111-05048	43 - 20		29 - 26	90201-12541	6 - 14
BME-82590-20	46 - 7	BME-85980-00	48 - 16	90109-063F1	21 - 14		29 - 7	90170-06228	19 - 24	90201-12575	19 - 7
1UA-82591-00	46 - 41	BME-85991-00	48 - 3	90109-064G6	32 - 2		29 - 15	90170-08010	38 - 10	90201-127E1	19 - 3
B5U-82591-00	35 - 9	B7N-86120-00	28 - 19	90109-066F0	2 - 17		29 - 18	90170-28419	25 - 6	90201-177G4	19 - 12
BME-82591-00	46 - 37	5YP-E2671-00	7 - 4	90109-08045	34 - 2	90111-06029	27 - 28	90179-05523	7 - 44	90201-18013	23 - 35
B7N-82599-01	47 - 20	B1X-H330A-00	41 - 1	90109-08170	12 - 7		30 - 11	90179-05525	27 - 17	90201-20008	17 - 36
BME-82910-10	45 - 1	BEA-H330A-00	41 - 2	90109-08246	20 - 23		44 - 7		27 - 22	90201-20030	16 - 16
BME-82911-10	45 - 3	B1X-H330B-00	41 - 3	90109-085E2	20 - 21	90111-06059	27 - 7		29 - 14	90201-25027	33 - 27
BME-82917-00	45 - 9	2DP-H4347-00	44 - 11	90109-086F8	37 - 19	90111-06098	19 - 20		29 - 17	90201-281U8	25 - 7
BME-8291G-00	45 - 12	BMP-W000B-00	25 - 17		37 - 28		19 - 29	90179-08148	45 - 7	90202-05088	29 - 22
BME-8291L-00	45 - 13	B7N-W001A-00	1 - 6	90110-05028	27 - 14	90111-06127	47 - 26	90179-08410	12 - 5		29 - 27
BME-8291R-00	45 - 18		33 - 31	90110-05067	47 - 15	90111-06151	23 - 16	90179-10247	20 - 17	90202-30235	25 - 5
BME-83220-01	42 - 1	B7N-W001G-01	16 - 35	90110-05081	28 - 3	90111-06161	7 - 6	90179-20010	16 - 18	90206-14086	19 - 33
B7N-83321-00	7 - 23	B7N-W001M-00	16 - 36	90110-05082	28 - 2		7 - 25	90179-22019	33 - 30	90208-20001	16 - 17
	7 - 28	BEA-W003B-00	26 - 43	90110-06107	42 - 14		7 - 30	90179-30006	25 - 3	90208-22002	33 - 29
BME-83365-00	42 - 11	BME-W2470-00	30 - 8	90110-06164	9 - 10	90111-06188	13 - 32	90183-05042	22 - 2	90209-22008	17 - 6
BME-83371-00	47 - 23	B7N-W2533-10-P2	33 - 3	90110-06168	11 - 5	90111-06189	42 - 7		22 - 5	90209-28008	17 - 24
4XV-83513-00	42 - 5	BEB-W2616-00	36 - 18		14 - 14	90111-06190	21 - 20		43 - 15	90214-22002	17 - 12
	43 - 4	BME-W8250-00	47 - 7	90110-06173	8 - 9	90111-06191	21 - 3	90183-05061	43 - 14	90214-22003	17 - 11
BME-83519-00	42 - 2	B7N-W8A8D-00	46 - 32	90110-06175	6 - 25	90111-06204	48 - 2	90183-05076	7 - 26	90214-28002	17 - 30
BME-83525-00	45 - 14	BME-Y2410-00-02	27 - 1	90110-06223	39 - 3	90111-08093	37 - 21		7 - 31	90214-29002	17 - 29
BME-83559-00	43 - 19	BME-YG241-00-01	27 - 1	90110-06232	11 - 23		37 - 30		44 - 5	90240-08005	38 - 1
4P9-83591-00	47 - 2	90101-08013	23 - 20	90110-06321	14 - 19		38 - 4		44 - 16	90240-08063	37 - 45
BME-83922-00	45 - 2	90101-10034	37 - 3	90110-06388	6 - 16	90116-10048	33 - 19	90183-05M02	29 - 10		37 - 53
BME-83980-00	36 - 19	90101-10042	24 - 4		14 - 10	90119-06313	21 - 5		29 - 12	90269-05005	7 - 8
2PW-84192-00	43 - 3	90105-06027	2 - 3		14 - 18	90119-09010	13 - 9	90183-06069	21 - 8	90269-06008	21 - 12
BME-84300-00	43 - 1	90105-06066	8 - 3		40 - 12	90119-09013	13 - 8		42 - 6		22 - 22
BME-84301-00	43 - 8	90105-06187	36 - 39	90110-06389	14 - 11	90119-09019	2 - 7	90185-10012	37 - 4		29 - 23
BME-8431R-00	42 - 12		36 - 43	90110-06390	9 - 7	90149-05029	32 - 4	90185-18009	23 - 36		29 - 28
BME-84369-00	43 - 12	90105-06202	13 - 15	90110-06394	6 - 15		34 - 4	90185-24002	33 - 26		29 - 30
1WS-84527-00	42 - 13	90105-06230	46 - 6		14 - 12	90149-05037	2 - 16	90201-04034	46 - 30		29 - 33
BME-84700-00	44 - 1	90105-07006	5 - 4	90110-06396	6 - 13		37 - 11	90201-05036	42 - 4		43 - 13

NUMERICAL INDEX

PART NO.	REF. NO.	PART NO.	REF. NO.	PART NO.	REF. NO.	PART NO.	REF. NO.	PART NO.	REF. NO.	PART NO.	REF. NO.
90269-06008	44 - 18	90387-25040	17 - 33	90465-10098	45 - 21	90508-18051	16 - 22	92907-08600	16 - 32	93440-31187	17 - 25
90269-06018	29 - 31	90387-28029	33 - 22		46 - 17	90508-18134	37 - 16	93101-12173	6 - 6	93440-64199	17 - 21
	29 - 34	90387-28030	17 - 27		46 - 18	90508-18135	37 - 25	93102-12106	19 - 5	93450-18157	3 - 9
90269-06081	22 - 13	90387-28031	33 - 8	90467-08075	7 - 40	90508-32141	19 - 9	93102-15212	16 - 28	93501-04011	37 - 43
	22 - 20	90387-30012	17 - 20		7 - 48	90520-02009	29 - 2	93102-40030	17 - 35		37 - 51
90269-07007	23 - 12	90387-31004	17 - 22	90467-090A2	10 - 31	90520-02011	22 - 3	93106-28043	31 - 4	93607-44002	5 - 11
	23 - 17	90401-10042	36 - 31		28 - 5		22 - 6	93106-35042	33 - 7	93610-20189	14 - 17
90269-07015	47 - 22	90401-10172	36 - 30		28 - 7	90520-02014	29 - 3	93106-40013	33 - 5	93900-00030	31 - 6
90269-07071	29 - 4		38 - 26		28 - 14	90520-03021	11 - 27		33 - 16		33 - 11
90280-05029	3 - 10	90413-06031	10 - 28		28 - 18	90520-03022	11 - 26	93109-17071	23 - 8	94112-17150	31 - 5
90338-06018	22 - 12	90430-06014	6 - 12	90467-09103	10 - 30	90520-04015	21 - 15		23 - 28	94118-17094	33 - 10
	22 - 19	90430-08143	14 - 5	90467-10039	7 - 19	91312-05020	11 - 28		24 - 3	94581-79066	8 - 10
	21 - 9	90430-10004	47 - 1		7 - 21	91312-06020	19 - 15	93210-04092	13 - 3	94591-78128	5 - 5
90338-10132	13 - 24	90430-10005	36 - 32	90467-10041	28 - 16	91312-06025	5 - 8	93210-06667	8 - 12	94682-5502R	33 - 2
90340-14011	9 - 4		38 - 27	90467-100A1	10 - 27	91314-06020	36 - 23	93210-07540	13 - 11	94701-00446	1 - 9
90340-14132	2 - 4	90430-10148	47 - 17	90467-11106	10 - 23		45 - 11	93210-12790	13 - 7		2 - 9
90340-18002	14 - 2	90445-10007	10 - 26	90467-12085	38 - 17	91314-08040	26 - 19	93210-13657	13 - 20	94A40-17110	33 - 1
90340-36008	38 - 12	90445-197J2	37 - 8	90467-120A3	36 - 14	91314-10050	20 - 9	93210-14369	13 - 25	95022-06045	36 - 40
90387-05028	44 - 14	90446-15386	37 - 36	90467-13083	11 - 18	91317-04030	46 - 33	93210-16325	13 - 23	95027-06045	48 - 8
90387-05044	21 - 6	90450-32003	6 - 33	90467-15001	11 - 24	91317-06020	46 - 15	93210-17008	47 - 14	95302-08600	23 - 21
90387-060A7	27 - 27		6 - 36	90467-17003	11 - 22	91317-06030	7 - 16	93210-19123	14 - 23	95304-06700	19 - 27
90387-06136	42 - 9	90450-38040	6 - 19	90467-200A0	6 - 28	91317-08025	35 - 4	93210-22001	8 - 6	95602-05200	44 - 9
	48 - 5		6 - 34		6 - 31	91317-08030	25 - 10	93210-28543	14 - 8	95602-10100	24 - 5
90387-06160	43 - 5	90450-53007	11 - 14	90467-21068	6 - 27		25 - 13	93210-30694	6 - 17	95602-10200	23 - 32
90387-06205	11 - 15	90450-58008	11 - 2	90467-22002	6 - 30		26 - 41	93210-357A3	14 - 3		25 - 16
90387-06285	7 - 46		11 - 4	90467-310A0	6 - 20	91401-20012	38 - 3	93210-46044	6 - 24		33 - 20
90387-06286	13 - 30	90464-04005	43 - 10		6 - 37	91402-25015	37 - 18	93210-61750	6 - 10	95607-04100	46 - 31
90387-06289	44 - 3	90464-07018	29 - 8	90468-040A0	29 - 20		37 - 27	93306-00106	6 - 5	95607-06100	48 - 9
90387-062X0	23 - 11		43 - 18		29 - 25		37 - 46	93306-07208	31 - 3	95607-10200	23 - 25
90387-06322	19 - 21	90464-07262	36 - 44	90480-01559	22 - 9		37 - 54	93306-07806	33 - 6		23 - 39
	19 - 31	90464-10233	48 - 18		22 - 16	91701-08040	37 - 17	93306-20486	17 - 37	95612-08625	2 - 6
90387-06372	21 - 19	90464-10M32	28 - 9	90480-10003	43 - 7		37 - 26	93306-20487	17 - 14	95617-06100	36 - 17
	23 - 14	90464-13073	12 - 3		43 - 16	91808-16023	2 - 5	93306-20531	33 - 4		45 - 5
90387-06382	7 - 24		46 - 40	90480-12314	11 - 16	92012-05030	7 - 51		33 - 15	95702-05500	27 - 19
	7 - 29	90464-13077	19 - 26	90480-13010	8 - 7	92012-06012	37 - 34	93306-20663	17 - 19		47 - 4
90387-063E6	7 - 14	90464-14010	19 - 36	90480-13018	13 - 31	92012-06020	44 - 4	93306-30534	17 - 3	95702-06500	36 - 41
90387-07717	7 - 7		48 - 13	90480-13203	7 - 45		48 - 6	93310-33277	16 - 19	95802-06020	43 - 6
	21 - 2	90464-14013	21 - 17	90480-13567	48 - 4	92012-06025	23 - 10	93315-21570	16 - 29	95812-06040	13 - 12
90387-08125	44 - 13		36 - 34	90480-14017	44 - 15		27 - 10	93315-31758	23 - 7	95812-06050	13 - 13
90387-10020	37 - 6	90464-16001	36 - 45	90480-14035	21 - 7	92014-06014	48 - 17		23 - 27	95812-06065	13 - 14
90387-10043	23 - 33	90464-16003	7 - 20	90480-14102	42 - 10	92017-06010	47 - 24		24 - 2	95812-08035	12 - 6
90387-10125	23 - 37		38 - 21	90480-14229	44 - 2	92017-06014	48 - 12	93317-11096	16 - 31	95812-08060	13 - 16
90387-1012A	23 - 6	90464-18002	36 - 33	90480-15363	7 - 13		48 - 15	93317-11295	19 - 16	95822-06025	6 - 22
	23 - 29	90464-20009	23 - 30	90501-080A2	18 - 7	92017-08012	14 - 4	93317-330A0	23 - 3	95D32-06012	7 - 12
90387-22006	17 - 9	90464-24230	37 - 13	90501-12743	37 - 42	92017-08016	20 - 5	93317-330A1	23 - 4	95D37-06016	46 - 35
90387-22016	31 - 8	90464-25009	19 - 35		37 - 50	92902-04600	36 - 21	93399-99932	25 - 1	95D37-10025	20 - 13
90387-22037	23 - 2		46 - 16	90506-18022	37 - 35		46 - 29	93399-99957	26 - 40	97702-50012	22 - 10
90387-25040	17 - 4	90464-62085	11 - 29	90506-26014	37 - 7	92907-08200	20 - 6	93440-25186	17 - 7		22 - 17

NUMERICAL INDEX

PART NO.	REF. NO.	PART NO.	REF. NO.	PART NO.	REF. NO.	PART NO.	REF. NO.	PART NO.	REF. NO.	PART NO.	REF. NO.
97702-50016	43 - 9										
98502-04014	36 - 20										
98507-04016	45 - 15										
98507-04018	45 - 17										
	45 - 20										
99001-07600	16 - 33										
99002-10600	19 - 6										
99009-10400	16 - 24										
99009-12400	6 - 9										
99009-17400	19 - 13										
99247-00080	21 - 26										
99480-03012	39 - 4										
99530-08012	14 - 9										
99530-10014	13 - 5										
99530-12016	2 - 21										