



PARTS CATALOGUE

T115EC (B451) MALAYSIA

T115C (B452) MALAYSIA

T115C/T115EC
PARTS CATALOGUE
©2014 by Yamaha Motor Co., Ltd.
1st edition, December 2014
All rights reserved.
Any reprinting or unauthorized use
without the written permission of
Yamaha Motor Co., Ltd.
is expressly prohibited.
Printed in Japan.

FOREWORD

This Parts Catalogue is related to the parts for the model(s) on the cover page. When you are ordering replacement parts, please refer to this Parts Catalogue and quote both part numbers and part names correctly.

1. Modifications or additions which have been made after the issue of the Parts Catalogue will be announced in the Parts News.

It is advisable that you make the necessary corrections to the Parts Catalogue according to the Parts News.

2. Abbreviations

The following abbreviations are used in this Parts Catalogue.

“UR” Use specified parts number.

“UN” Use as many as needed.

“AP” Alternate Parts

“LM” Locally Made (Parts need to be ordered locally)

“F#” Frame No. (Applicable machine No.)

“O/S” Over Size

3. The number of components for assembly

- Parts, which are to be supplied in an assembly, are listed with a dot (.) in front of the part name as shown below.
- The numeral appearing to the right of each component part indicates the quantity of parts for each assembly unit.

PART NO.	DESCRIPTION	Q'TY	REMARKS
2F5-83310-60	FRONT FLASHER LIGHT ASSY	2	
115-83311-60	.BULB (6V-18W)	1	

4. Applicable colours of graphics are represented in the “REMARKS” as shown below.

PART NO.	DESCRIPTION	Q'TY	REMARKS
2N4-24110-00-X5	FUEL TANK COMP.	2	MXR
3J1-24240-10	.GRAPHIC, FUEL TANK	1	FOR MXR

5. Note that the illustrations for reference in finding parts numbers are not to be used for assembling. When assembling, please use the applicable service manual.

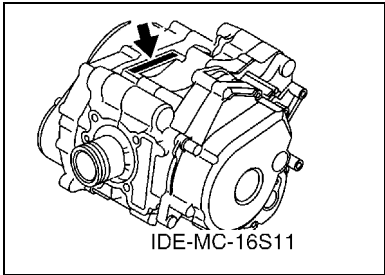
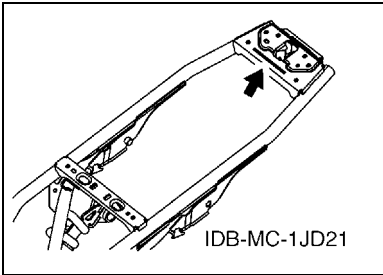
6. The asterisk (*) before a reference number indicates modified items after the first edition.

FOREWORD

7. Applicable Serial No.

Frame Serial No.

Engine Serial No.



8. Applicable Colour Code (The (*) mark shows Model colour.)

Abbreviation	Colour Name	Colour Code
BMC(*)	BLUE METALLIC C	0775
RM7(*)	RED METALLIC 7	1218
SMX	BLACK METALLIC X	0903
YB	YAMAHA BLACK	0033

9. Applicable Starting Serial No.

Frame Serial No.

Serial No.	Name Of Q'ty Column	Model Code

Engine Serial No.

Serial No.	Name Of Q'ty Column	Model Code

CONTENTS

ENGINE

CYLINDER HEAD	1
CRANKSHAFT & PISTON	2
VALVE	3
CAMSHAFT & CHAIN	4
OIL PUMP	5
INTAKE	6
CARBURETOR	7
EXHAUST	9
CRANKCASE	10
CRANKCASE COVER 1	11
STARTER	12
STARTER CLUTCH	13
CLUTCH	14
TRANSMISSION	16
SHIFT CAM & FORK	18
SHIFT SHAFT	19

CHASSIS

FRAME	20
FENDER	21
SIDE COVER	22
REAR ARM & SUSPENSION	23
STEERING	24
FRONT FORK	25
FUEL TANK	27
SEAT	28
FRONT WHEEL	29
REAR WHEEL	30
STEERING HANDLE & CABLE	32
STAND & FOOTREST	33
LEG SHIELD	35
GENERATOR	36
STARTING MOTOR	37
FLASHER LIGHT	38
METER	39
HEADLIGHT	40
TAILLIGHT	41
HANDLE SWITCH & LEVER	42
ELECTRICAL 1	43
ELECTRICAL 2	44

INDEX

NUMERICAL INDEX	45
-----------------------	----

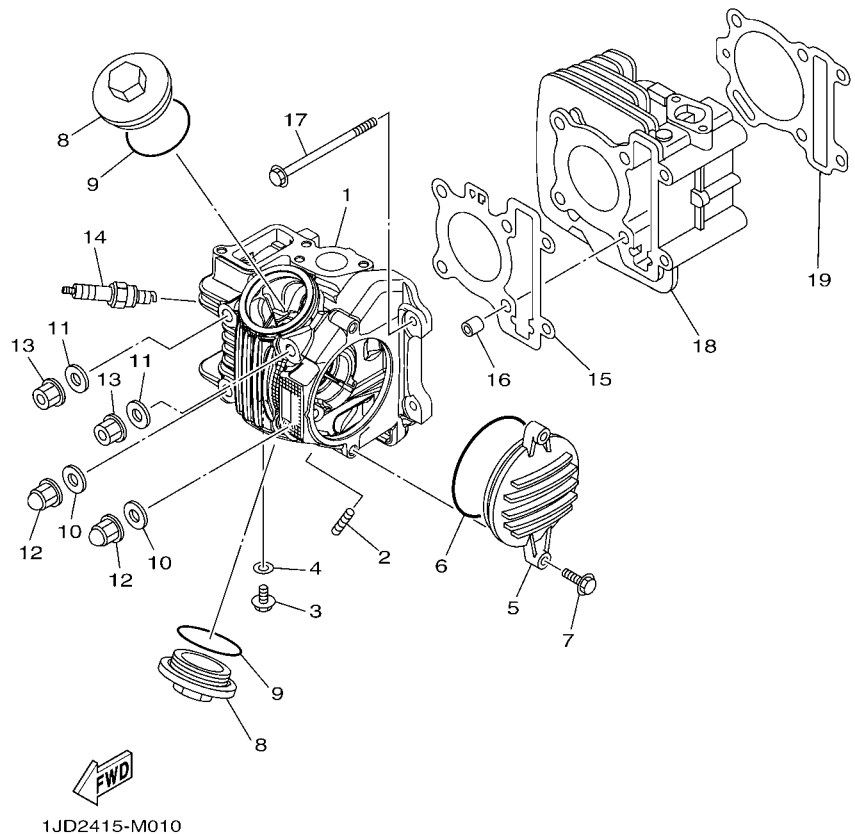
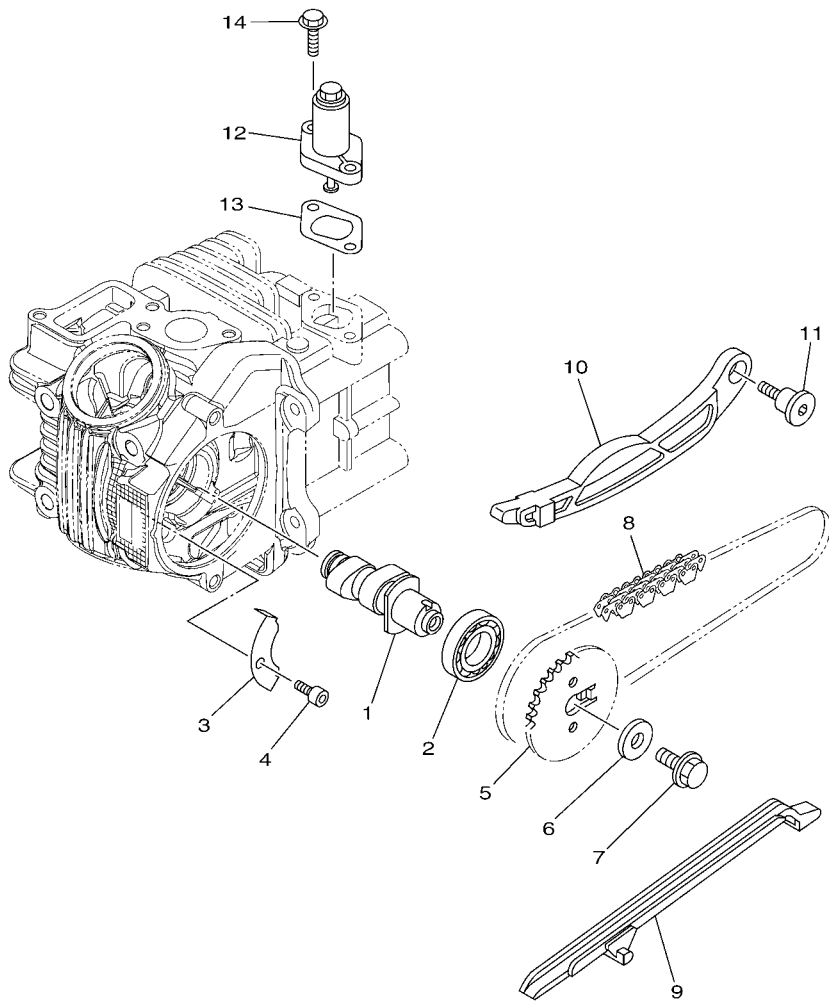


FIG. 1 CYLINDER HEAD

REF. NO.	PART NO.	DESCRIPTION	B451	B452				REMARKS
1	1JD-E1111-20	HEAD, CYLINDER 1	1	1				
2	90116-06819	BOLT, STUD	2	2				
3	95022-06012	BOLT, FLANGE	1	1				
4	90430-06014	GASKET	1	1				
5	1JD-E1185-00	COVER, CYLINDER HEAD SIDE 3	1	1				
6	93210-71462	O-RING	1	1				
7	95022-06020	BOLT, FLANGE	2	2				
8	1JD-E1186-00	COVER, CYLINDER HEAD SIDE 2	2	2				
9	93210-44812	O-RING	2	2				
10	90201-088C3	WASHER, PLATE	2	2				
11	92902-08200	WASHER	2	2				
12	90176-08813	NUT, CROWN	2	2				
13	90179-08835	NUT	2	2				
14	94700-00869	PLUG SPARK (NGK CR6HSA)	1	1				
15	1JD-E1181-00	GASKET, CYLINDER HEAD 1	1	1				
16	99530-10114	PIN, DOWEL	2	2				
17	90105-06849	BOLT, FLANGE	2	2				
18	1JD-E1310-00	CYLINDER	1	1				
19	1JD-E1351-00	GASKET, CYLINDER	1	1				

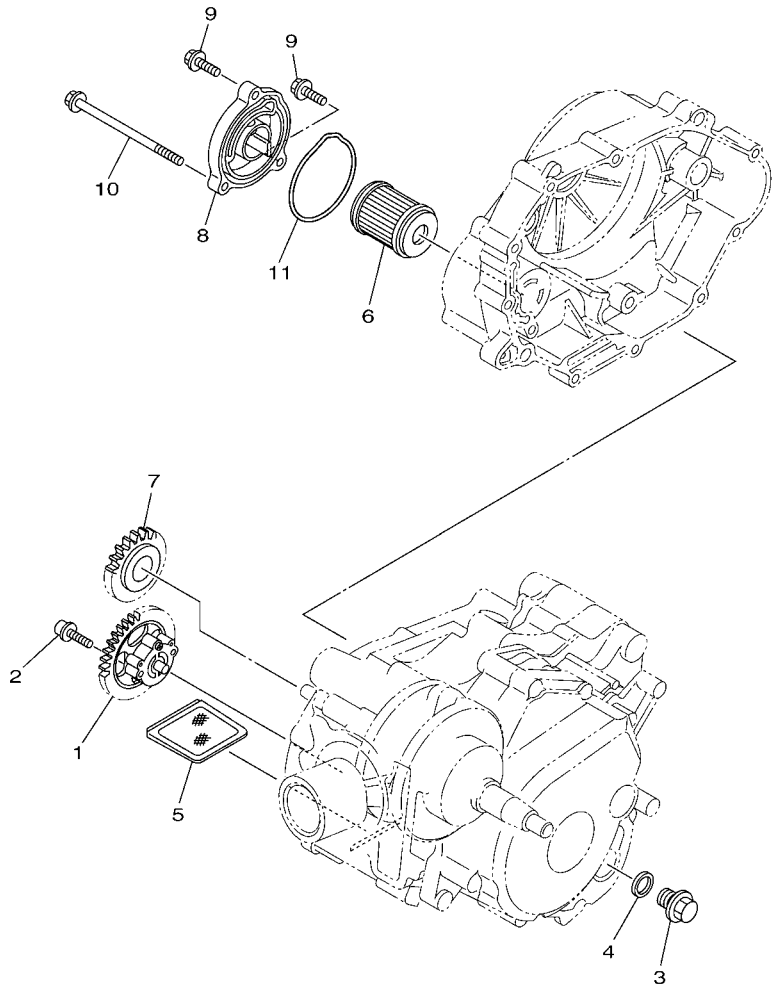



 1JD1415-L040

FIG. 4 CAMSHAFT & CHAIN

REF. NO.	PART NO.	DESCRIPTION	B451	B452	REMARKS
1	1JD-E2170-10	CAMSHAFT ASSY 1	1	1	
2	93306-904X1	.BEARING	1	1	
3	1JD-E111F-10	PLATE	1	1	
4	91312-06012	BOLT	1	1	
5	1JD-E2176-00	SPROCKET, CAM CHAIN	1	1	
6	90201-08877	WASHER, PLATE	1	1	
7	95812-08016	BOLT, FLANGE	1	1	
8	94568-F7090	CHAIN	1	1	
9	1JD-E2231-10	GUIDE, STOPPER 1	1	1	
10	1JD-E2241-10	GUIDE, STOPPER 2	1	1	
11	1JD-E2228-00	BOLT	1	1	
12	1JD-E2210-00	TENSIONER ASSY, CAM CHAIN	1	1	
13	1JD-E2213-00	GASKET, TENSIONER CASE	1	1	
14	90105-06899	BOLT, FLANGE	2	2	

FIG. 5 OIL PUMP



FWD
1JD1415-L050

REF. NO.	PART NO.	DESCRIPTION	B451	B452			REMARKS
1	1JD-E3300-00	OIL PUMP ASSY	1	1			
2	90110-05801	BOLT, HEXAGON SOCKET HEAD	2	2			
3	90340-10801	PLUG, STRAIGHT SCREW	1	1			
4	90430-10805	GASKET	1	1			
5	4FP-E3411-00	STRAINER, OIL	1	1			
6	1JD-E3440-00	ELEMENT ASSY, OIL CLEANER	1	1			
7	1JD-E3324-00	GEAR, PUMP DRIVE	1	1			
8	1JD-E3447-00	COVER, OIL ELEMENT	1	1			
9	95022-06020	BOLT, FLANGE	2	2			
10	95022-06100	BOLT, FLANGE	1	1			
11	93210-60803	O-RING	1	1			

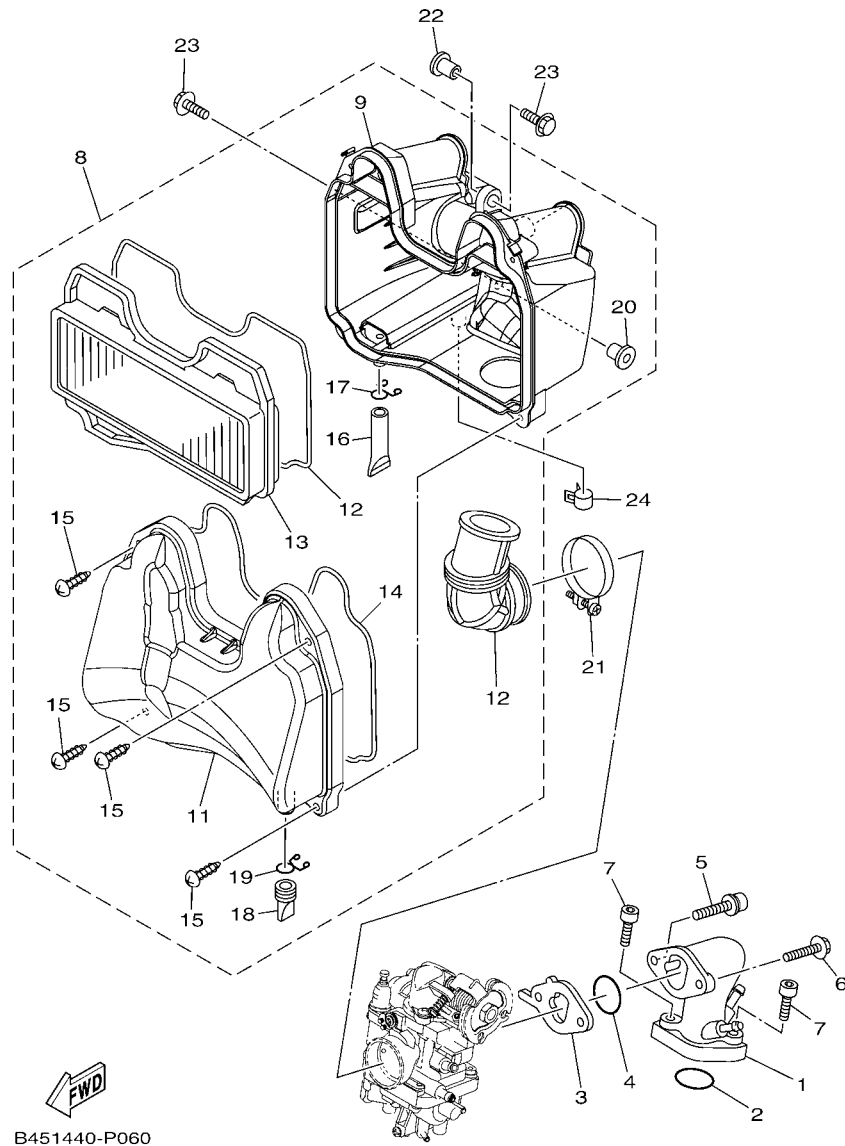
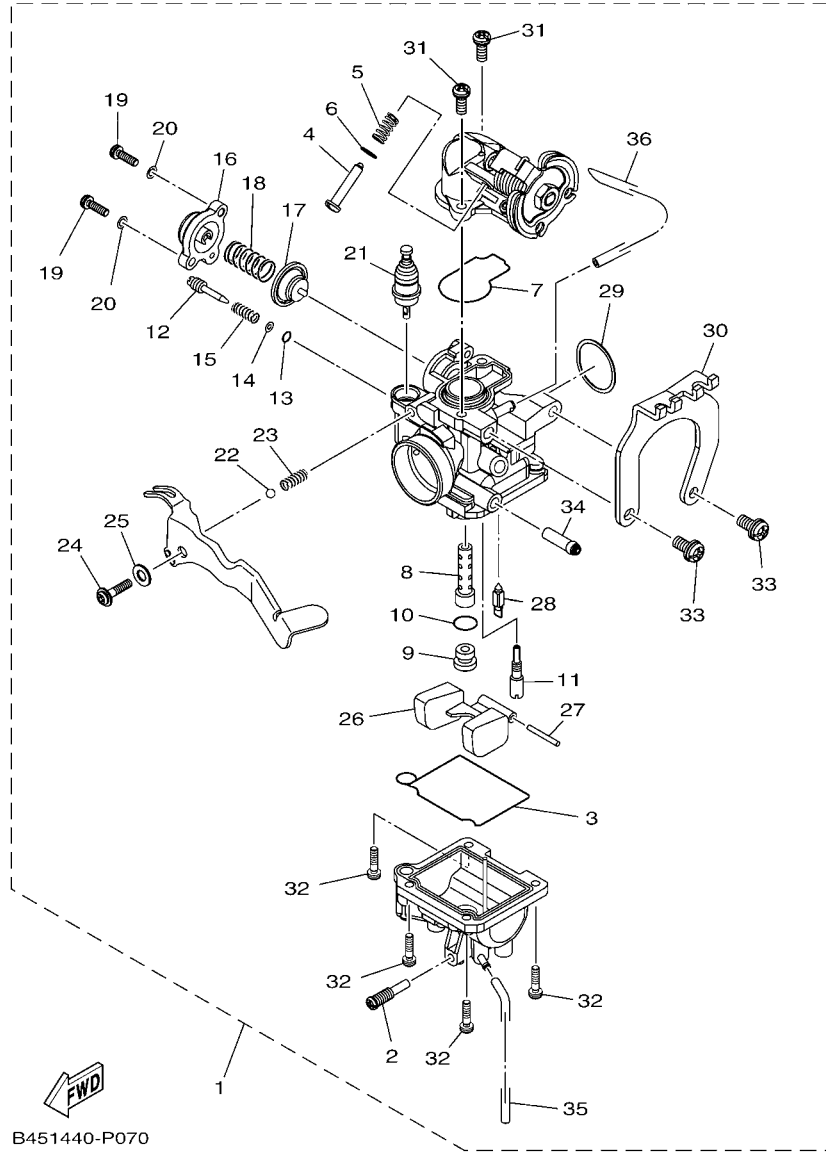


FIG. 6 INTAKE

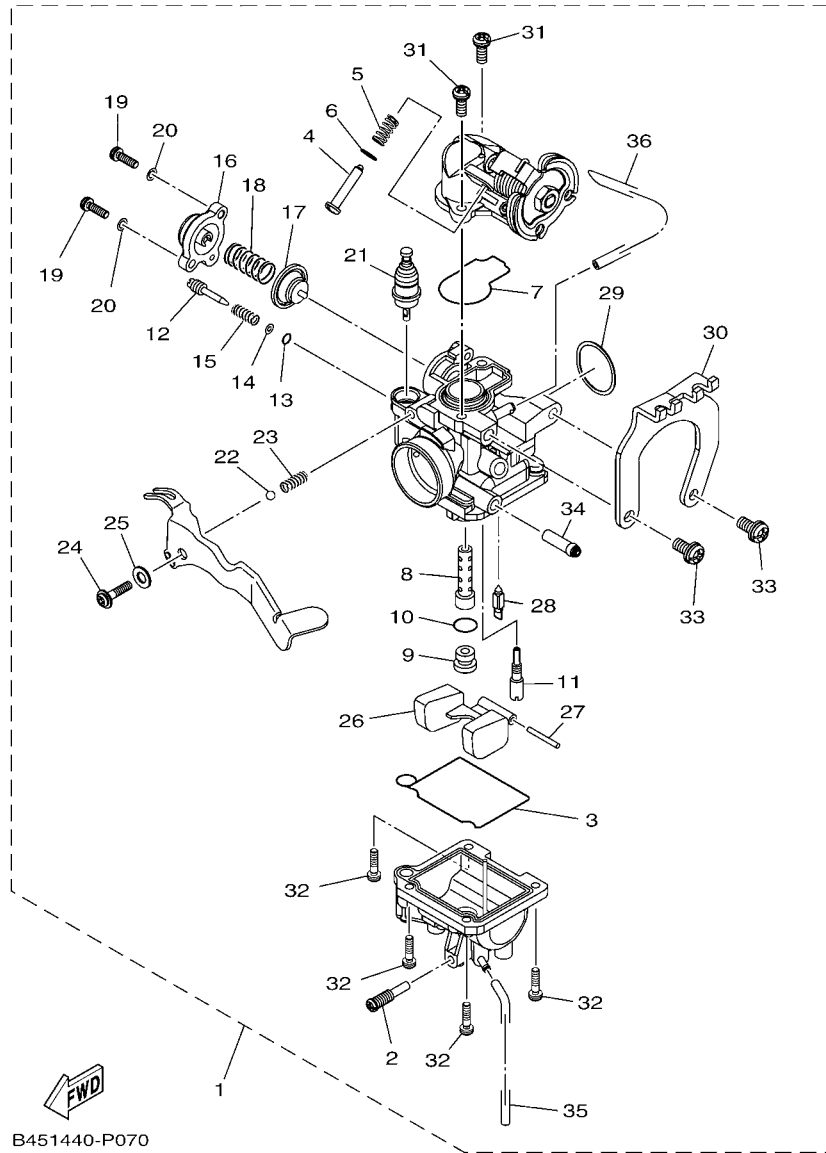
REF. NO.	PART NO.	DESCRIPTION	B451	B452		REMARKS
1	1JD-E3586-00	JOINT, CARBURETOR 1	1	1		
2	93210-25811	O-RING	1	1		
3	1JD-E3595-00	JOINT	1	1		
4	93210-25811	O-RING	1	1		
5	90110-06846	BOLT, HEXAGON SOCKET HEAD	1	1		
6	95022-06030	BOLT, FLANGE	1	1		
7	91312-06025	BOLT	2	2		
8	1JD-E4410-02	AIR CLEANER ASSY.	1	1		
9	1JD-E4411-01	.CASE, AIR CLEANER 1	1	1		
10	1JD-E4450-00	.ELEMENT ASSY, AIR CLEANER	1	1		
11	1JD-E4412-00	.CAP, CLEANER CASE 1	1	1		
12	1JD-E4453-00	.JOINT, AIR CLEANER 1	1	1		
13	1JD-E4462-00	.SEAL	1	1		
14	1JD-E4452-00	.SEAL	1	1		
15	97702-50030	.SCREW, TAPPING	4	4		
16	1JD-E443E-00	.PIPE, DRAIN	1	1		
17	90467-11827	.CLIP	1	1		
18	1JD-E443G-00	.PIPE, DRAIN 2	1	1		
19	90467-12828	.CLIP	1	1		
20	90387-06803	.COLLAR	1	1		
21	90450-42801	HOSE CLAMP ASSY	1	1		
22	90387-06803	COLLAR	1	1		
23	90119-06810	BOLT, WITH WASHER	2	2		
24	90467-13813	CLIP	1	1		



B451440-P070

FIG. 7 CARBURETOR

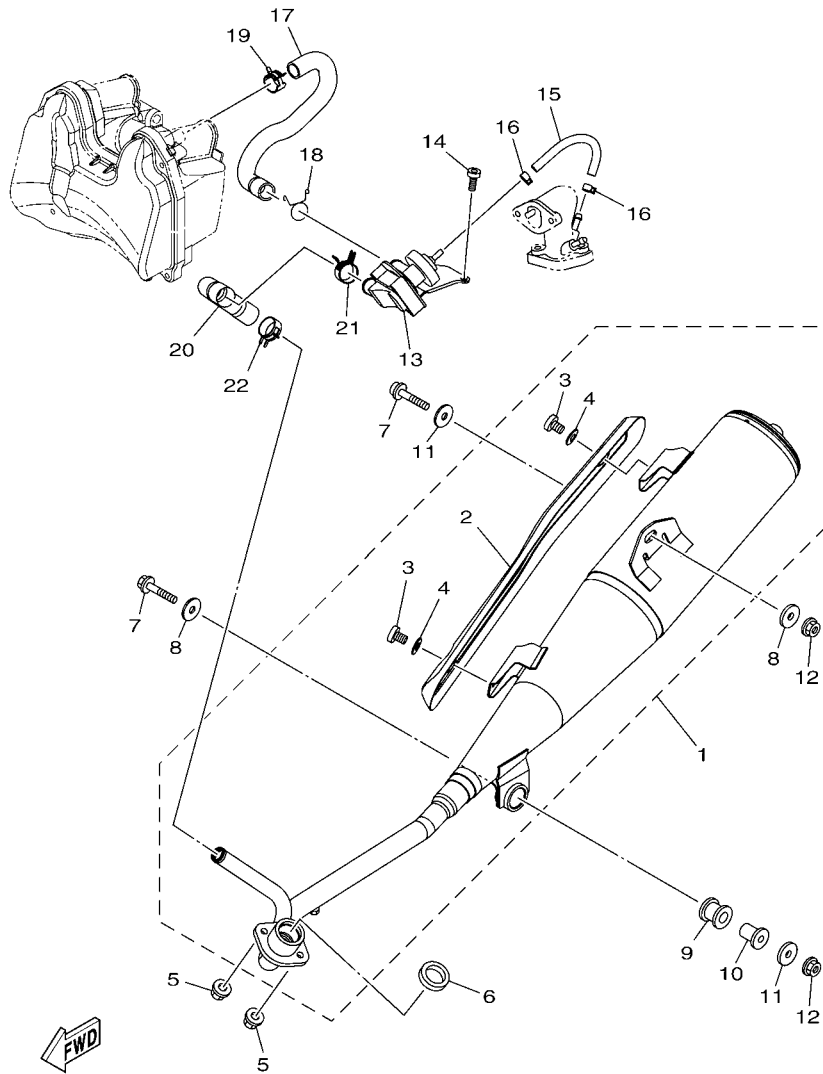
REF. NO.	PART NO.	DESCRIPTION	B451	B452	REMARKS
1	B45-E4301-00	CARBURETOR ASSY 1	1	1	
2	1JD-E4306-00	.DRAIN, SCREW	1	1	
3	1JD-E4384-00	.GASKET, FLOAT CHAMBER	1	1	
4	1JD-E4321-00	.SCREW, THROTTLE	1	1	
5	1JD-E4333-00	.SPRING, THROTTLE STOP	1	1	
6	5WB-E4596-00	.WASHER	1	1	
7	1JD-E4561-00	.O-RING	1	1	
8	1JD-E4341-00	.NOZZLE, MAIN	1	1	
9	1JD-E4343-52	.JET, MAIN (#104)	1	1	
10	360-24512-00	.GASKET	1	1	
11	1JD-E4342-68	.JET, PILOT (#136)	1	1	
12	1JD-E4323-00	.SCREW, AIR ADJUSTING	1	1	
13	5WB-E4147-00	.O-RING	1	1	
14	5WB-E4962-00	.WASHER	1	1	
15	4JP-E4134-00	.SPRING, AIR ADJUSTING	1	1	
16	1JD-E4293-00	.COVER 1	1	1	
17	1JD-E4368-00	.DIAPHRAGM ASSY 1	1	1	
18	1JD-E4589-00	.SPRING	1	1	
19	97601-04114	.SCREW, PAN HEAD WITH WASHER	2	2	
20	1JD-E4357-00	.WASHER, PLAIN	2	2	
21	1JD-E4307-00	.MANUAL STARTER COMP. 1	1	1	
22	1JD-E413A-00	.BALL, CHECK	1	1	
23	1JD-E4338-00	.SPRING, CHOKE LEVER	1	1	
24	1JD-E4565-00	.SCREW	1	1	
25	1JD-E4179-00	.WASHER, STARTER LEVER	1	1	
26	1JD-E4385-00	.FLOAT	1	1	
27	1JD-E4386-00	.PIN, FLOAT	1	1	



B451440-P070

FIG. 7 CARBURETOR

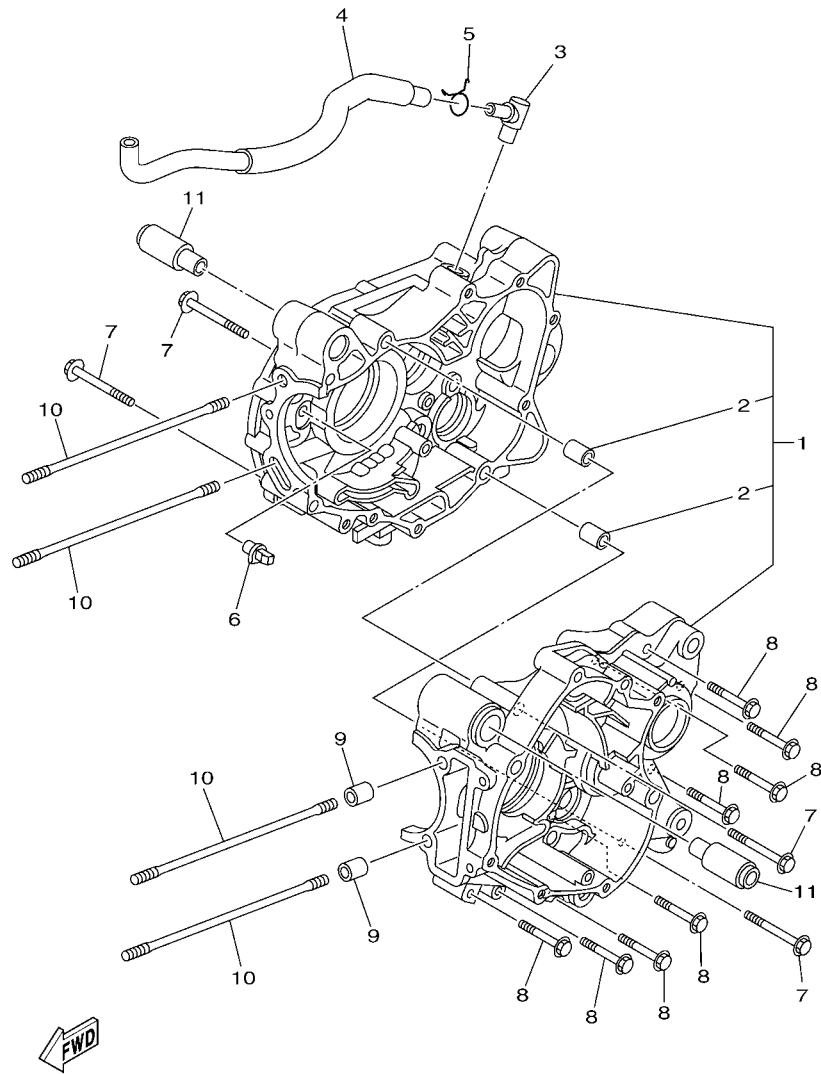
REF. NO.	PART NO.	DESCRIPTION	B451	B452	REMARKS
28	1JD-E4390-00	.NEEDLE VALVE ASSY	1	1	
29	85L-14147-00	.O-RING	1	1	
30	1JD-E4571-00	.BRACKET, THROTTLE	1	1	
31	1JD-E4325-00	.SCREW, PAN HEAD	2	2	
32	97901-04116	.SCREW, WITH WASHER	4	4	
33	97603-06113	.SCREW, PAN HEAD WITH WASHER	2	2	
34	5AV-E445E-00	.FILTER 1	1	1	
35	1JD-E4349-01	.PIPE	1	1	
36	1JD-E4197-00	.PIPE	1	1	



1JD2415-M080

FIG. 8 EXHAUST

REF. NO.	PART NO.	DESCRIPTION	B451	B452				REMARKS
1	B45-E4710-00	MUFFLER ASSY 1	1	1				
2	1JD-E4718-10	.PROTECTOR, MUFFLER 1	1	1				
3	98902-06012	.SCREW, BIND	2	2				
4	92990-06200	.WASHER, PLAIN	2	2				
5	95702-06500	NUT, FLANGE	2	2				
6	1JD-E4613-00	GASKET, EXHAUST PIPE	1	1				
7	95812-08040	BOLT, FLANGE	2	2				
8	90201-08310	WASHER, PLATE	2	2				
9	1JD-E4747-00	DAMPER, MUFFLER	1	1				
10	90387-08830	COLLAR	1	1				
11	90201-083A8	WASHER, PLATE	2	2				
12	95702-08500	NUT, FLANGE	2	2				
13	1JD-E4803-20	AIR INDUCTION SYSTEM ASSY	1	1				
14	91312-06012	BOLT	2	2				
15	1JD-E3542-00	HOSE, VACUUM SENSING 1	1	1				
16	90467-08804	CLIP	2	2				
17	1JD-E4882-00	HOSE, BEND 2	1	1				
18	90467-180A1	CLIP	1	1				
19	90467-18809	CLIP	1	1				
20	1JD-E4881-00	HOSE, BEND 1	1	1				
21	90467-20802	CLIP	1	1				
22	90467-20802	CLIP	1	1				



1JD2415-M090

FIG. 9 CRANKCASE

REF. NO.	PART NO.	DESCRIPTION	B451	B452	REMARKS
1	1JD-W1510-10	CRANKCASE ASSY	1		
	B45-W1510-00	CRANKCASE ASSY		1	
2	99530-10114	.PIN, DOWEL	2	2	
3	1JD-E5371-00	BREATHER	1	1	
4	1JD-E1166-10	PIPE, BREATHER 1	1	1	
5	90467-12828	CLIP	1	1	
6	1JD-E5155-00	NOZZLE 3	1	1	
7	95022-06055	BOLT, FLANGE	4	4	
8	95022-06040	BOLT, FLANGE	8	8	
9	99530-10114	PIN, DOWEL	2	2	
10	90116-08815	BOLT, STUD	4	4	
11	90388-08800	DAMPER	2	2	

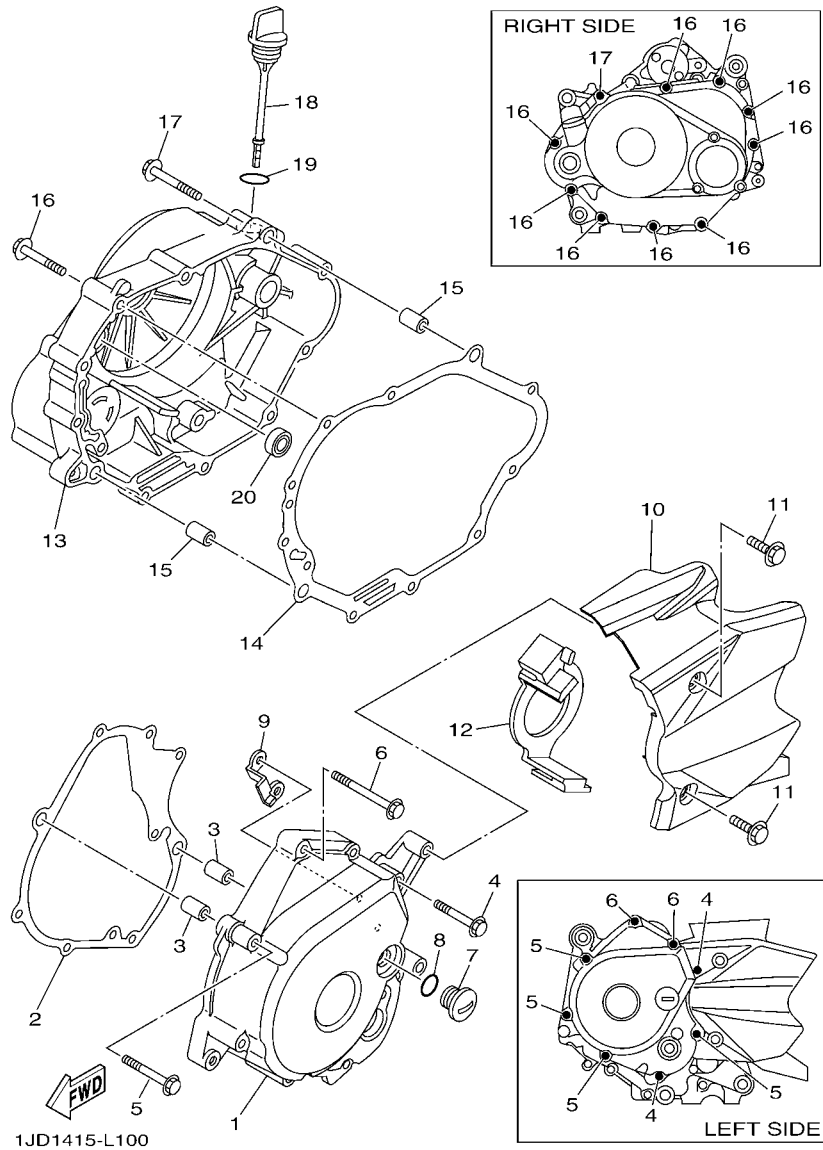
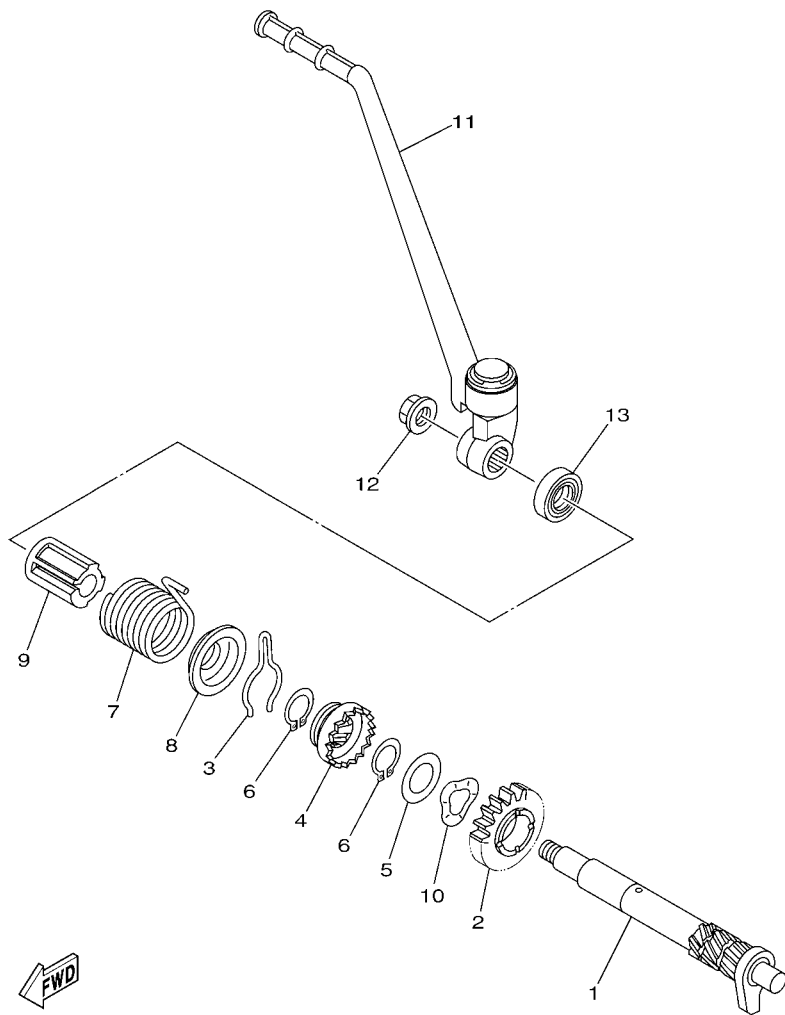


FIG. 10 CRANKCASE COVER 1

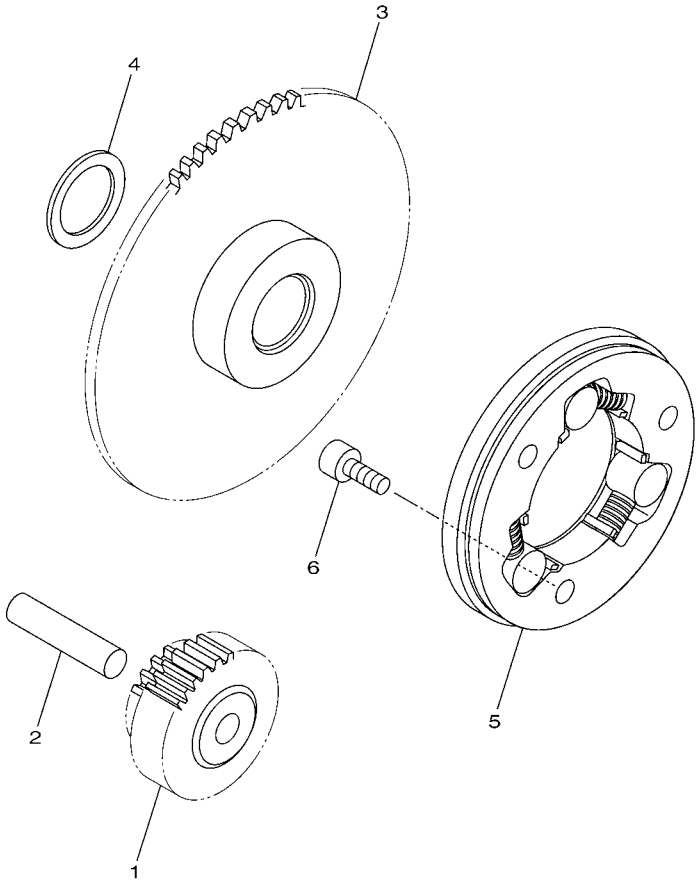
REF. NO.	PART NO.	DESCRIPTION	B451	B452	REMARKS
1	1JD-E5411-00	COVER, CRANKCASE 1	1	1	
2	1JD-E5451-00	GASKET, CRANKCASE COVER 1	1	1	
3	99530-10114	PIN, DOWEL	2	2	
4	95022-06040	BOLT, FLANGE	2	2	
5	95022-06050	BOLT, FLANGE	4	4	
6	95022-06060	BOLT, FLANGE	2		
	95022-06030	BOLT, FLANGE		2	
7	90340-14821	PLUG, STRAIGHT SCREW	1	1	
8	93210-14899	O-RING	1	1	
9	1JD-E5113-00	PLATE	1	1	
10	1JD-E5418-10	COVER, CHAIN CASE	1	1	
11	95802-06016	BOLT, FLANGE	2	2	
12	1JD-E5377-00	GUIDE, INLET	1	1	
13	1JD-E5421-00	COVER, CRANKCASE 2	1	1	
14	1JD-E5461-00	GASKET, CRANKCASE COVER 2	1	1	
15	99530-10114	PIN, DOWEL	2	2	
16	95022-06040	BOLT, FLANGE	9	9	
17	95022-06050	BOLT, FLANGE	1	1	
18	1JD-E5362-00	PLUG, OIL LEVEL	1	1	
19	93210-19805	O-RING	1	1	
20	93101-10800	OIL SEAL	1	1	

FIG. 11 STARTER




 1JD2415-M110

REF. NO.	PART NO.	DESCRIPTION	B451	B452				REMARKS
			1	1				
1	1JD-E5661-10	AXLE, KICK	1	1				
2	1JD-E5641-30	GEAR, KICK	1	1				
3	90468-26800	CLIP	1	1				
4	1JD-E5671-10	WHEEL, RATCHET	1	1				
5	1P6-E5644-00	SHIM	1	1				
6	99009-19400	CIRCLIP	2	2				
7	90508-26808	SPRING, TORSION	1	1				
8	1JD-E5645-10	PLATE	1	1				
9	1JD-E5664-30	GUIDE, SPRING	1	1				
10	90206-19802	WASHER, WAVE	1	1				
11	1JD-E5620-00	KICK CRANK ASSY	1	1				
12	90179-10803	NUT	1	1				
13	93102-16804	OIL SEAL	1	1				



1JD1415-L120

FIG. 12 STARTER CLUTCH

REF. NO.	PART NO.	DESCRIPTION	B451	B452				REMARKS
1	1JD-E5512-00	GEAR, IDLER 1	1					
2	93608-34800	PIN, DOWEL	1					
3	1JD-E5524-00	WHEEL, STARTER	1					
4	1P6-E5644-00	SHIM	1					
5	1JD-E5580-00	STARTER CLUTCH OUTER ASSY	1					
6	91312-06012	BOLT	3					

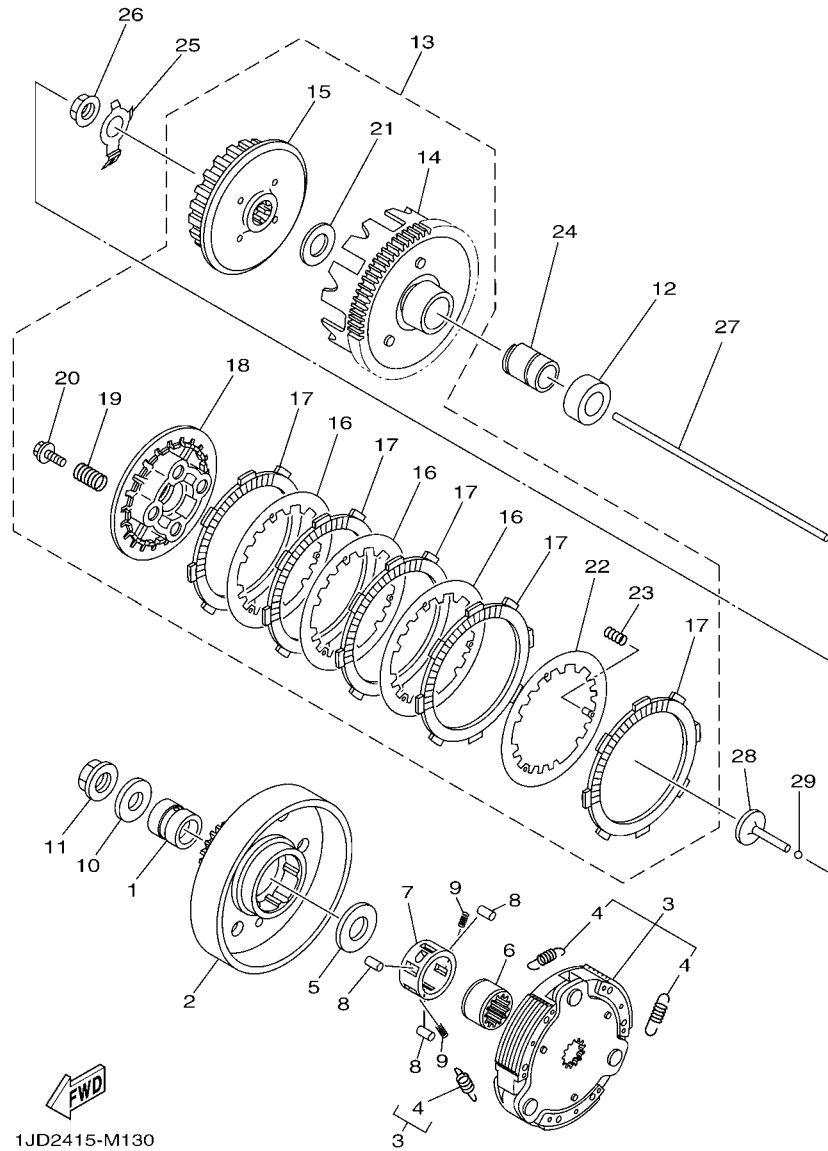


FIG. 13 CLUTCH

REF. NO.	PART NO.	DESCRIPTION	B451	B452	REMARKS
1	90387-16814	COLLAR	1	1	
2	1JD-E6611-10	CLUTCH HOUSING COMP.	1	1	
3	4S9-E6620-10	CLUTCH CARRIER ASSY	1	1	
4	4S9-E6626-10	.SPRING, CLUTCH WEIGHT 1	3	3	
5	90201-167P7	WASHER, PLATE	1	1	
6	1JD-E6512-00	BOSS, CLUTCH HOUSING	1	1	
7	1JD-E6586-00	CAGE	1	1	
8	93606-10802	PIN, DOWEL	3	3	
9	90501-04805	SPRING, COMPRESSION	2	2	
10	90201-12820	WASHER, PLATE	1	1	
11	90179-12803	NUT	1	1	
12	90387-17809	COLLAR	1	1	
13	1JD-E6300-10	CLUTCH ASSY	1	1	
14	1JD-E6150-10	.PRIMARY DRIVEN GEAR COMP.	1	1	
15	4S9-E6371-10	.BOSS, CLUTCH	1	1	
16	4S9-E6324-10	.PLATE, CLUTCH 1	3	3	
17	1JD-E6321-20	.PLATE, FRICTION	5	5	
18	4S9-E6351-10	.PLATE, PRESSURE 1	1	1	
19	90501-203G2	.SPRING, COMPRESSION	4	4	
20	90159-05805	.SCREW, WITH WASHER	4	4	
21	4S9-E6154-10	.PLATE, THRUST 1	1	1	
22	4S9-E6350-10	.PRESSURE PLATE ASSY	1	1	
23	90501-05802	.SPRING, COMPRESSION	3	3	
24	90387-17805	COLLAR	1	1	
25	90215-14801	WASHER, LOCK	1	1	
26	90179-14806	NUT	1	1	
27	1JD-E6357-00	ROD, PUSH 2	1	1	

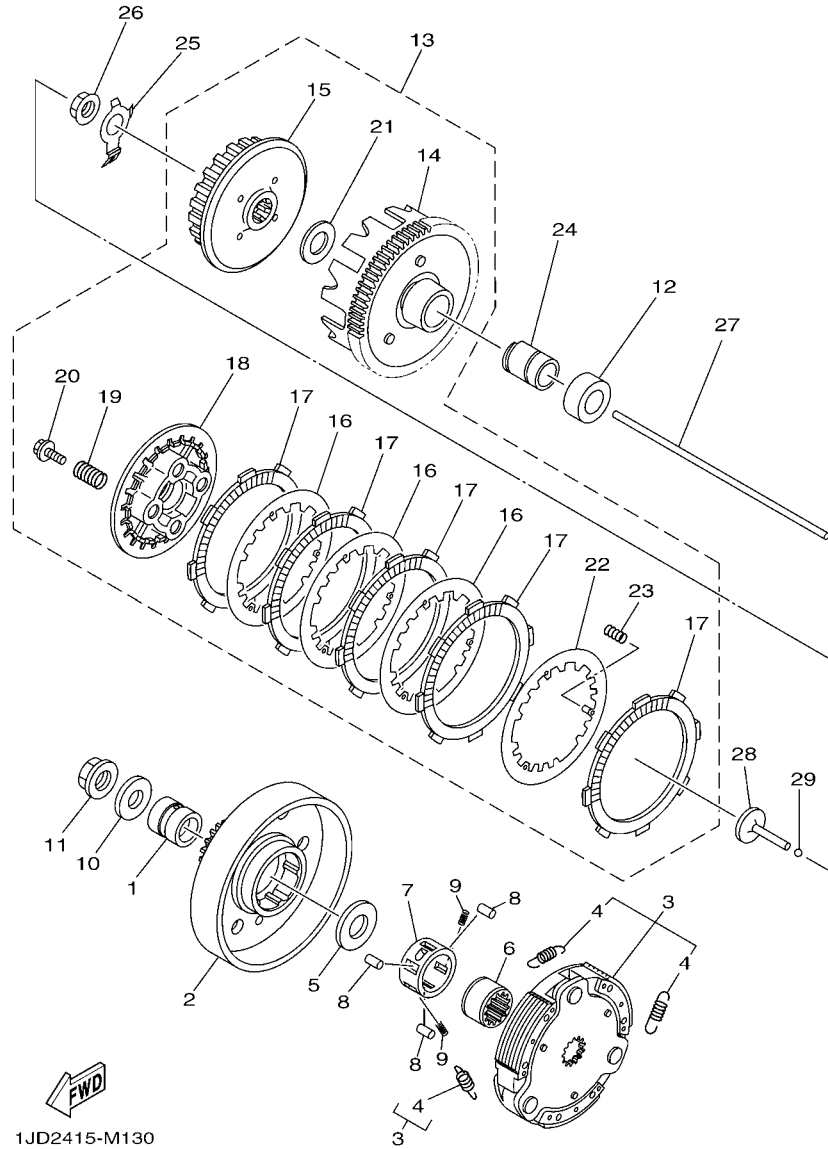


FIG. 13 CLUTCH

REF. NO.	PART NO.	DESCRIPTION	B451	B452		REMARKS
28	1JD-E6356-00	ROD, PUSH 1	1	1		
29	93503-16824	BALL	1	1		

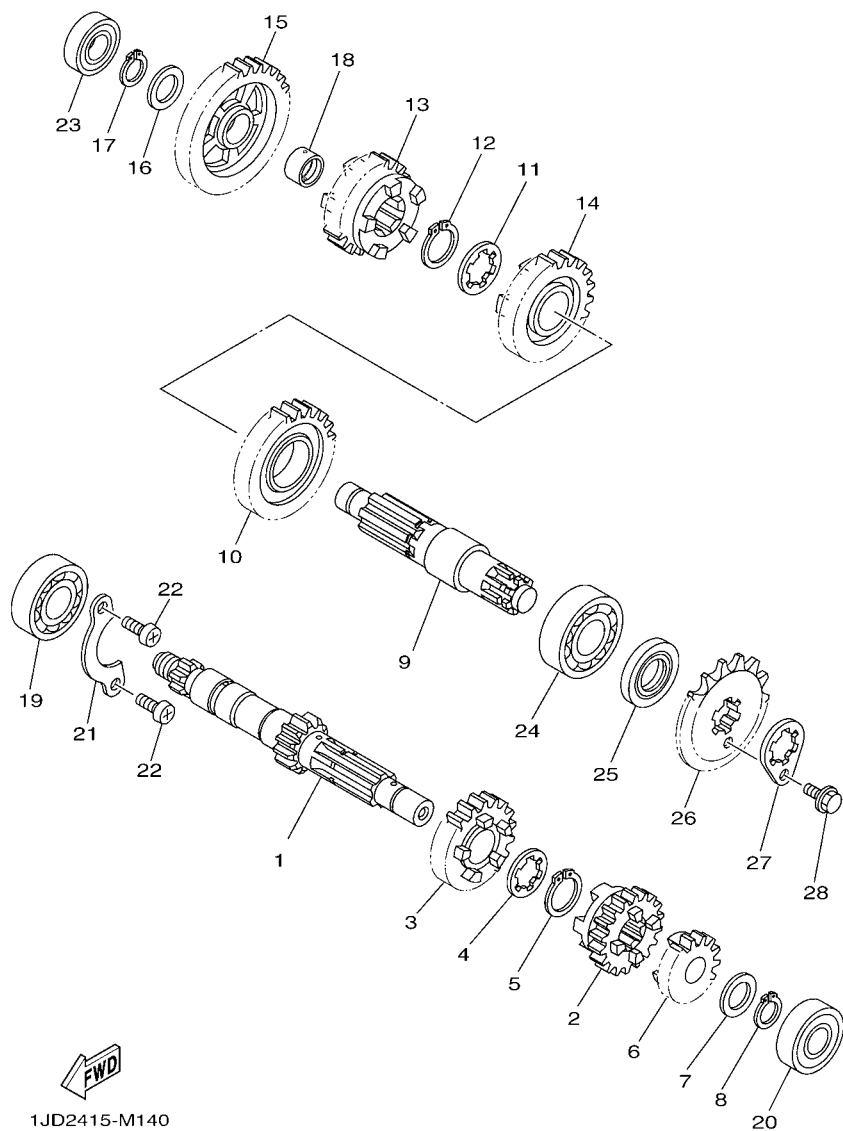


FIG. 14 TRANSMISSION

REF. NO.	PART NO.	DESCRIPTION	B451	B452	REMARKS
1	1JD-E7411-20	AXLE, MAIN (12T)	1	1	
2	1JD-E7131-20	GEAR, 3RD PINION (17T)	1	1	
3	1JD-E7141-20	GEAR, 4TH PINION (22T)	1	1	
4	1P6-E7658-00	WASHER, BELLEVILLE	1	1	
5	93410-20809	CIRCLIP	1	1	
6	1JD-E7121-20	GEAR, 2ND PINION (16T)	1	1	
7	90201-15700	WASHER, PLATE	1	1	
8	99009-15400	CIRCLIP	1	1	
9	1JD-E7421-20	AXLE, DRIVE	1	1	
10	1JD-E7221-40	GEAR, 2ND WHEEL (30T)	1	1	
11	90209-18208	WASHER	1	1	
12	93410-22820	CIRCLIP	1	1	
13	1JD-E7241-20	GEAR, 4TH WHEEL (23T)	1	1	
14	1JD-E7231-20	GEAR, 3RD WHEEL (23T)	1	1	
15	1JD-E7211-20	GEAR, 1ST WHEEL (34T)	1	1	
16	90201-15700	WASHER, PLATE	1	1	
17	99009-15400	CIRCLIP	1	1	
18	90387-15824	COLLAR	1	1	
19	93306-054YF	BEARING	1	1	
20	93306-252XN	BEARING	1	1	
21	1JD-E7471-00	PLATE, COVER	1	1	
22	98512-06012	SCREW, PAN HEAD	2	2	
23	93306-002YP	BEARING	1	1	
24	93306-204XJ	BEARING	1	1	
25	93102-20802	OIL SEAL	1	1	
26	93812-15825	SPROCKET, DRIVE (15T)	1	1	
27	5AP-E7456-00	HOLDER, SPROCKET	1	1	

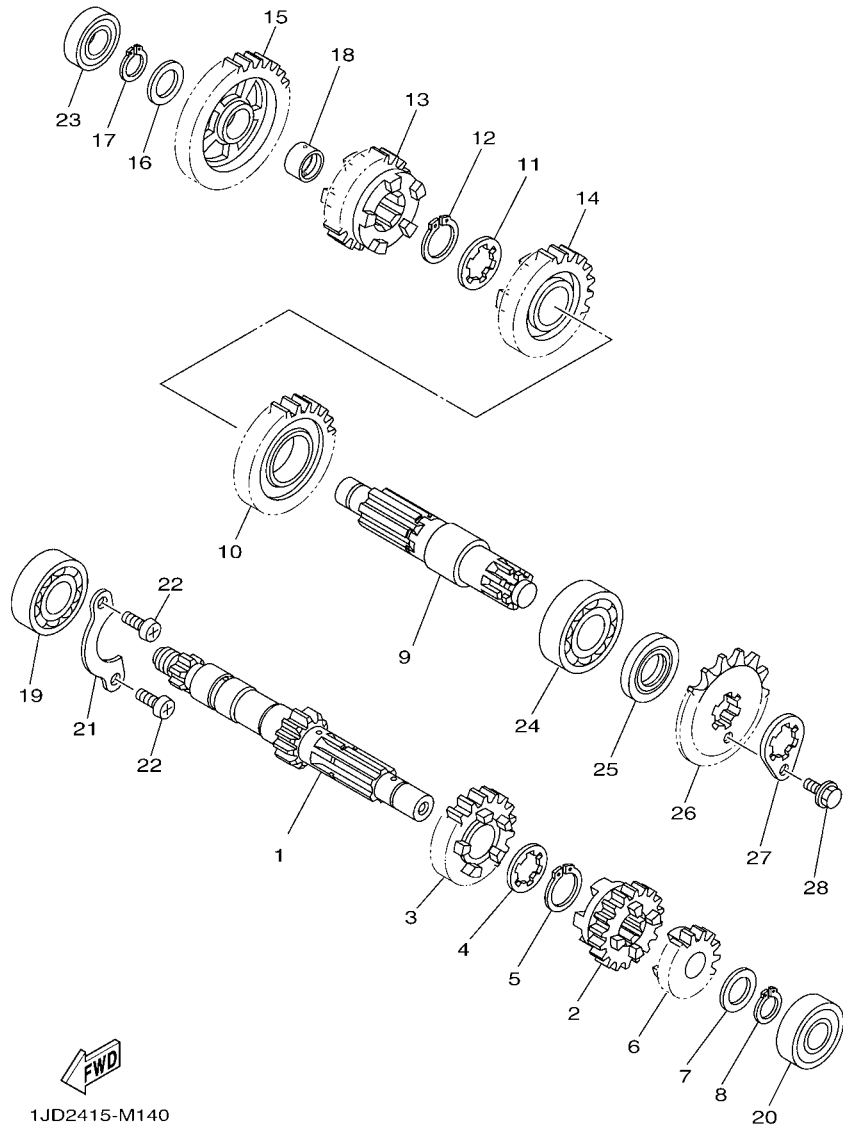
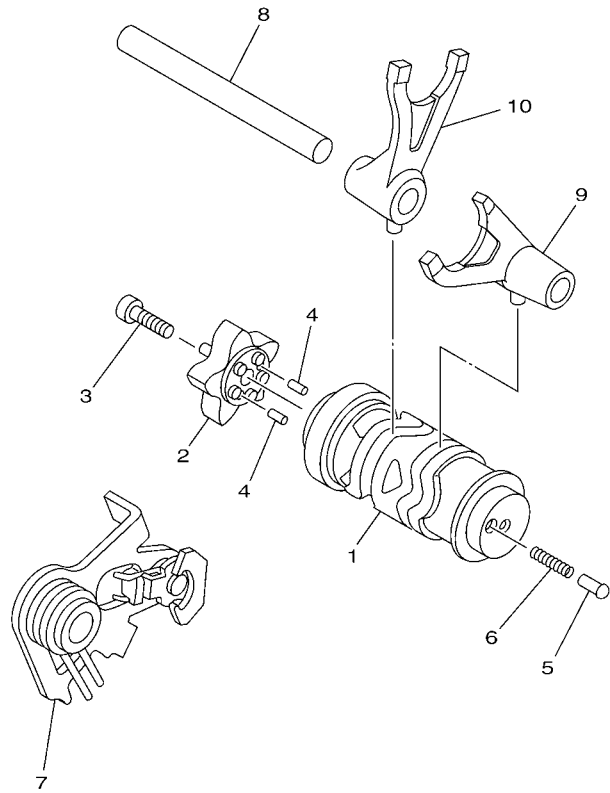


FIG. 14 TRANSMISSION

REF. NO.	PART NO.	DESCRIPTION	B451	B452				REMARKS
			1	1				
28	95022-06010	BOLT, FLANGE	1	1				



1JD2415-M150

FIG. 15 SHIFT CAM & FORK

REF. NO.	PART NO.	DESCRIPTION	B451	B452				REMARKS
			1	1				
1	1JD-Y1854-01	SHIFT CAM ASSY	1	1				
2	1JD-E8185-00	SEGMENT	1	1				
3	91312-06020	BOLT	1	1				
4	93604-12801	PIN, DOWEL	2	2				
5	1JD-E8542-00	POINT, NEUTRAL	1	1				
6	90501-06805	SPRING, COMPRESSION	1	1				
7	1JD-E8120-01	SHIFT LEVER ASSY	1	1				
8	1JD-E8531-00	BAR, SHIFT FORK GUIDE 1	1	1				
9	1JD-E8511-00	FORK, SHIFT 1	1	1				
10	1JD-E8512-00	FORK, SHIFT 2	1	1				
<hr/>								
<hr/>								
<hr/>								
<hr/>								
<hr/>								
<hr/>								
<hr/>								
<hr/>								
<hr/>								

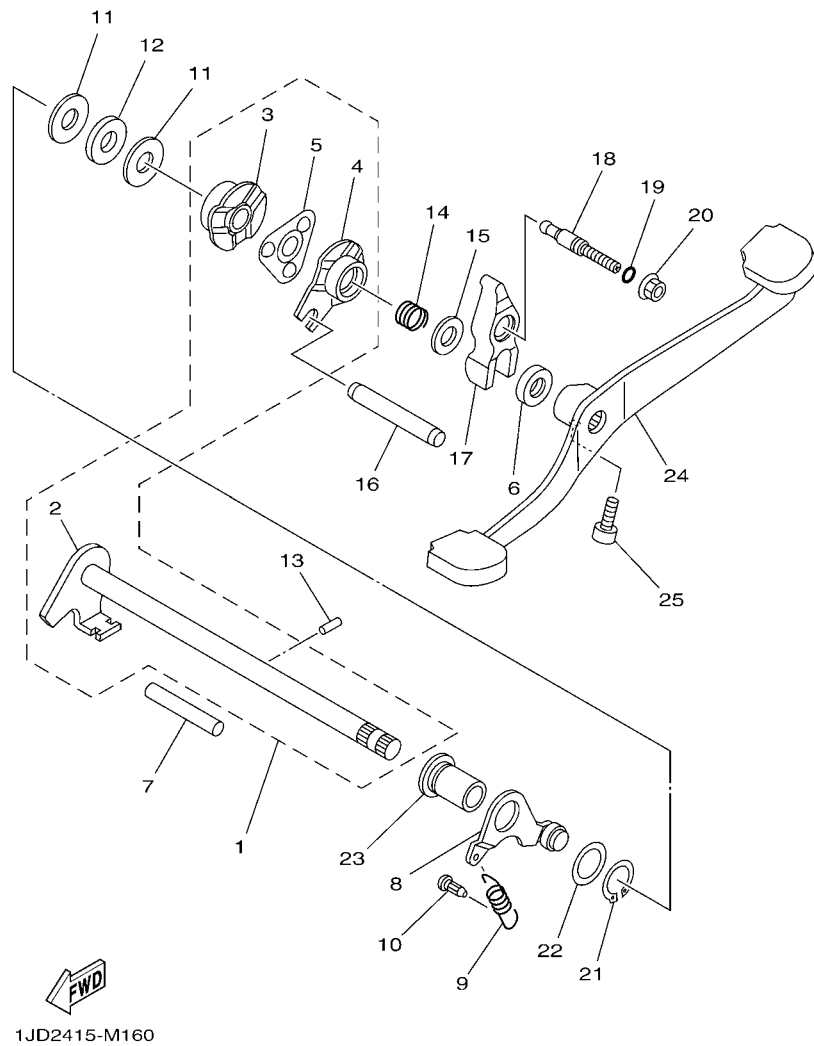
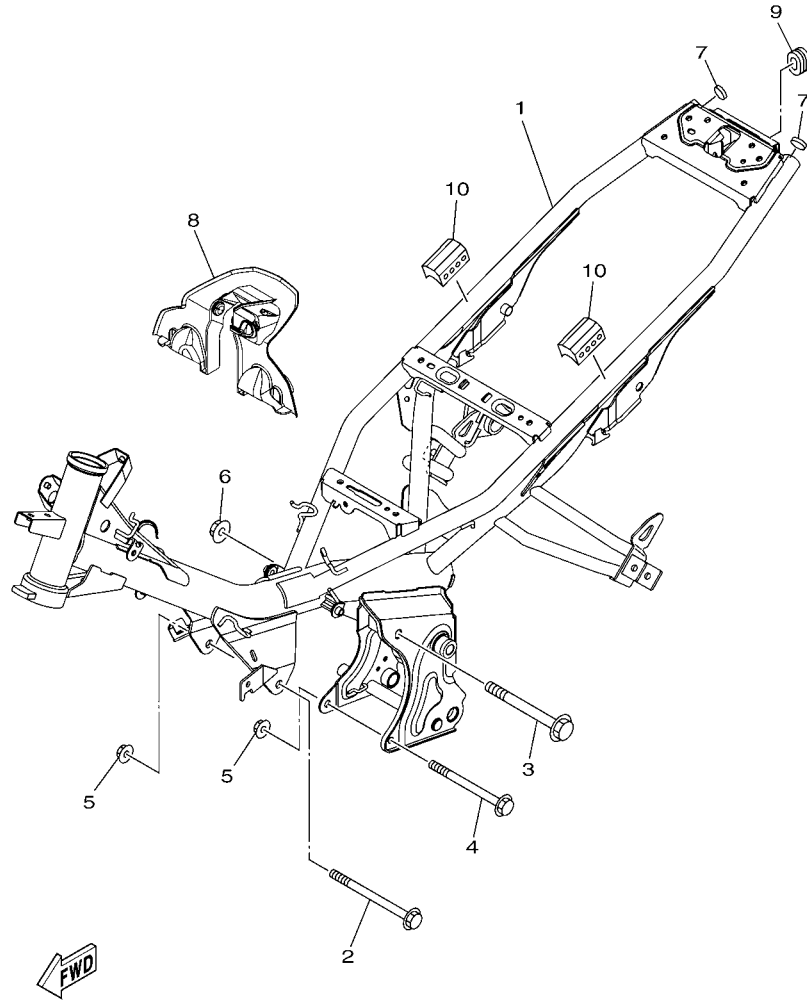


FIG. 16 SHIFT SHAFT

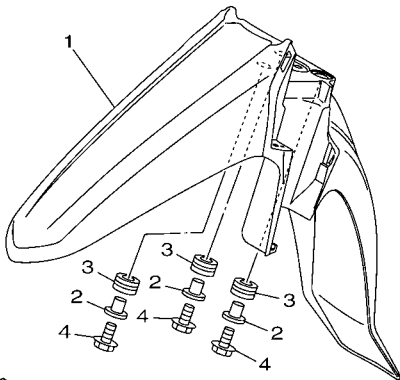
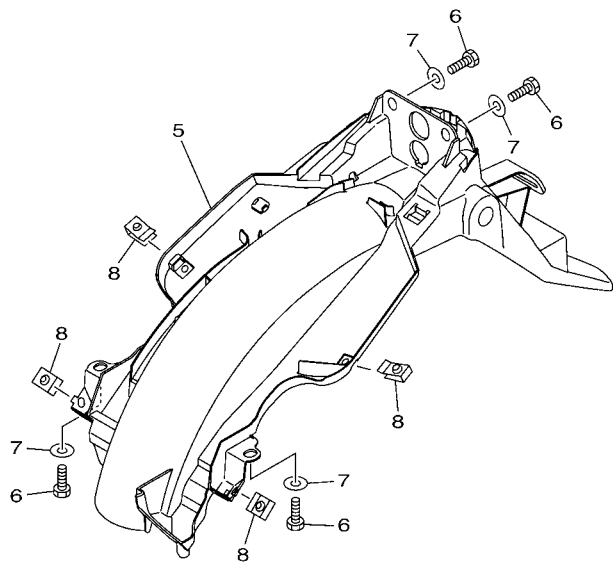
REF. NO.	PART NO.	DESCRIPTION	B451	B452	REMARKS
1	1JD-E8102-00	SHIFT SHAFT ASSY 2	1	1	
2	1JD-E8101-00	.SHIFT SHAFT ASSY	1	1	
3	1JD-E8179-00	.GUIDE	1	1	
4	1JD-E8172-00	.GUIDE, SHIFT	1	1	
5	1JD-E8181-00	.HOLDER, PAWL	1	1	
6	93102-12806	OIL SEAL	1	1	
7	93608-50149	PIN, DOWEL	1	1	
8	1JD-E8140-20	STOPPER LEVER ASSY	1	1	
9	1JD-E8337-00	SPRING	1	1	
10	1JD-E6346-00	HOOK, SPRING	1	1	
11	90201-127F4	WASHER, PLATE	2	2	
12	90201-12826	WASHER, PLATE	1	1	
13	93604-10837	PIN, DOWEL	1	1	
14	90501-125E9	SPRING, COMPRESSION	1	1	
15	90201-12824	WASHER, PLATE	1	1	
16	1JD-E8173-00	PIN, SHIFT	1	1	
17	1JD-E817A-00	ARM, SHIFT 3	1	1	
18	1JD-E8186-00	SCREW, ADJUSTING	1	1	
19	93210-06809	O-RING	1	1	
20	95702-06500	NUT, FLANGE	1	1	
21	99009-17400	CIRCLIP	1	1	
22	90201-178D3	WASHER, PLATE	1	1	
23	1JD-E8699-00	BOSS 1	1	1	
24	1JD-E8111-20	PEDAL, SHIFT	1	1	
25	91312-06020	BOLT	1	1	



1JD2415-M170

FIG. 17 FRAME

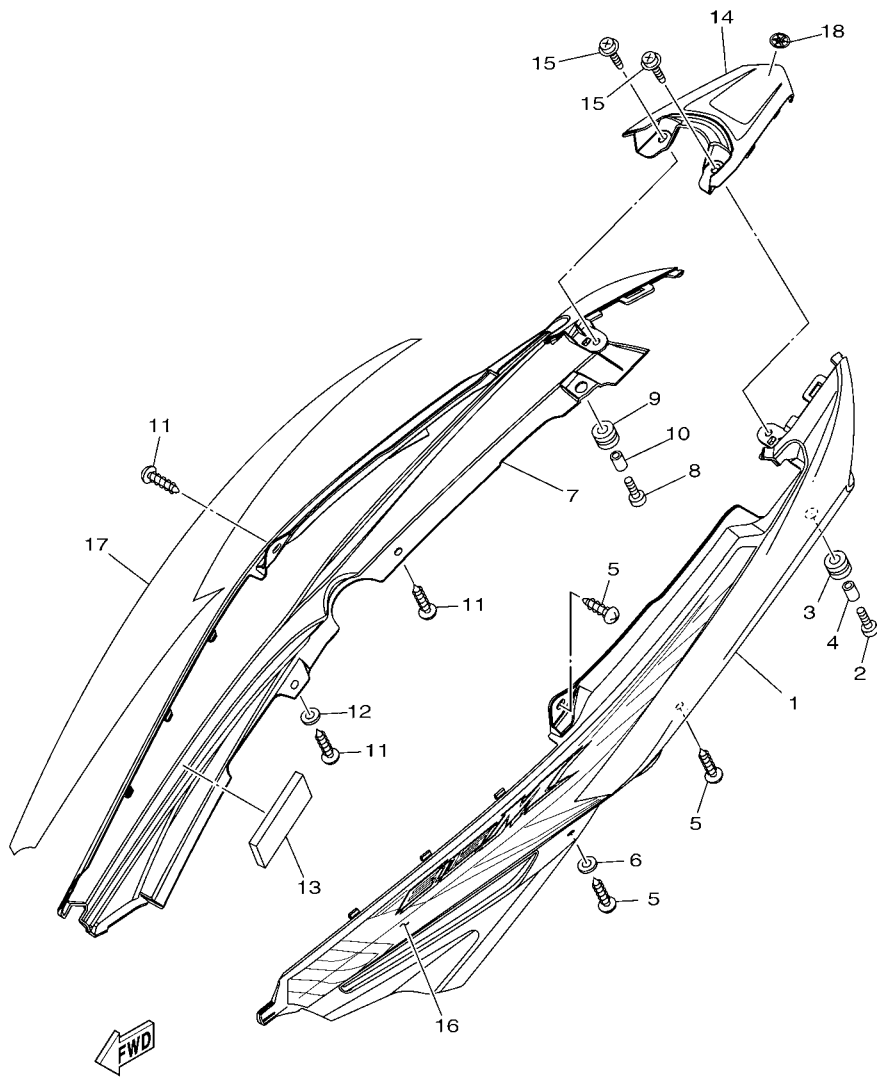
REF. NO.	PART NO.	DESCRIPTION	B451	B452			REMARKS
1	B45-F1110-00	FRAME COMP.	1	1			
2	95812-08130	BOLT, FLANGE	1	1			
3	95812-10120	BOLT, FLANGE	1	1			
4	95812-08120	BOLT, FLANGE	1	1			
5	90179-08830	NUT	2	2			
6	90179-10807	NUT	1	1			
7	1JD-F139R-00	COVER 2	2	2			
8	1JD-F117R-00	COVER 4	1	1			
9	90480-01813	GROMMET	1	1			
10	1JD-F139U-00	DAMPER 2	2	2			



1JD2415-M180

FIG. 18 FENDER

REF. NO.	PART NO.	DESCRIPTION			REMARKS
			B451	B452	
1	B45-F1511-00-P0	FENDER, FRONT	1	1	UR FOR RM7
	B45-F1511-00-P1	FENDER, FRONT	1	1	UR FOR BMC
2	90387-10834	COLLAR	3	3	
3	90480-14825	GROMMET	3	3	
4	90119-068B3	BOLT, WITH WASHER	3	3	
5	1JD-F1611-02	FENDER, REAR	1	1	
6	90101-06832	BOLT	4	4	
7	90201-06882	WASHER, PLATE	4	4	
8	90183-05807	NUT, SPRING	4	4	



B451440-P190

FIG. 19 SIDE COVER

REF. NO.	PART NO.	DESCRIPTION	B451	B452	REMARKS
1	B45-F1731-00-P0	COVER, SIDE 3	1	1	SMX FOR RM7,BMC
2	98902-05020	SCREW, BIND	1	1	
3	90480-12808	GROMMET	1	1	
4	90387-06063	COLLAR	1	1	
5	97702-50016	SCREW, TAPPING	3	3	
6	90201-05812	WASHER, PLATE	1	1	
7	B45-F1741-00-P0	COVER, SIDE 4	1	1	SMX FOR RM7,BMC
8	98902-05020	SCREW, BIND	1	1	
9	90480-12808	GROMMET	1	1	
10	90387-06063	COLLAR	1	1	
11	97702-50016	SCREW, TAPPING	3	3	
12	90201-05812	WASHER, PLATE	1	1	
13	90520-10807	DAMPER, PLATE	1	1	
14	B45-F171E-00-P0	COVER, SIDE 5	1	1	SMX FOR RM7,BMC
15	98902-06016	SCREW, BIND	2	2	
16	B45-F173E-00	GRAPHIC 1	1	1	UR FOR RM7
	B45-F173E-10	GRAPHIC 1	1	1	UR FOR BMC
17	B45-F173F-00	GRAPHIC 2	1	1	UR FOR RM7
	B45-F173F-10	GRAPHIC 2	1	1	UR FOR BMC
18	B45-F175C-00	TUNING FORK MARK	1	1	

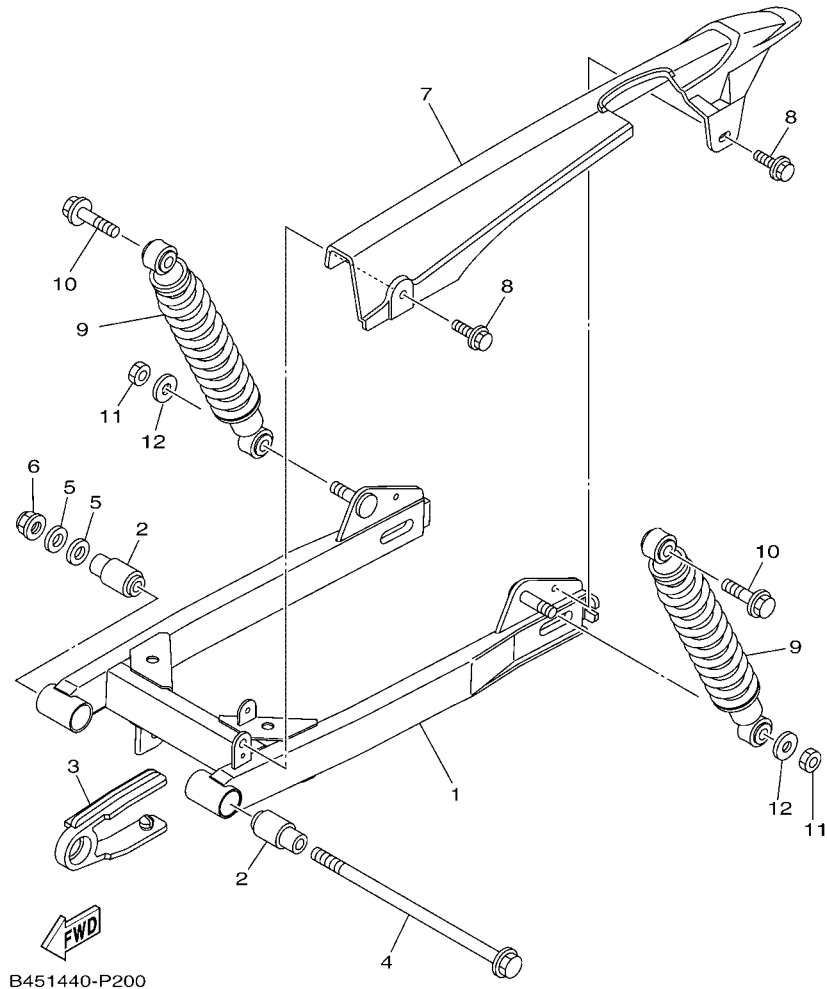


FIG. 20 REAR ARM & SUSPENSION

REF. NO.	PART NO.	DESCRIPTION	B451	B452				REMARKS
1	B45-F2110-00	REAR ARM COMP.	1	1				
2	90388-12800	DAMPER	2	2				
3	1JD-F2151-00	SEAL, GUARD	1	1				
4	1JD-F2141-00	SHAFT, PIVOT	1	1				
5	90201-128F3	WASHER, PLATE	2	2				
6	95602-12200	NUT, SELF-LOCKING	1	1				
7	5D9-F2311-10	CASE, CHAIN	1	1				
8	90159-06830	SCREW, WITH WASHER	2	2				
9	B45-F2210-00	SHOCK ABSORBER ASSY, REAR	2	2				
10	90105-10259	BOLT, FLANGE	2	2				
11	95302-10600	NUT, HEXAGON	2	2				
12	90201-108C7	WASHER, PLATE	2	2				

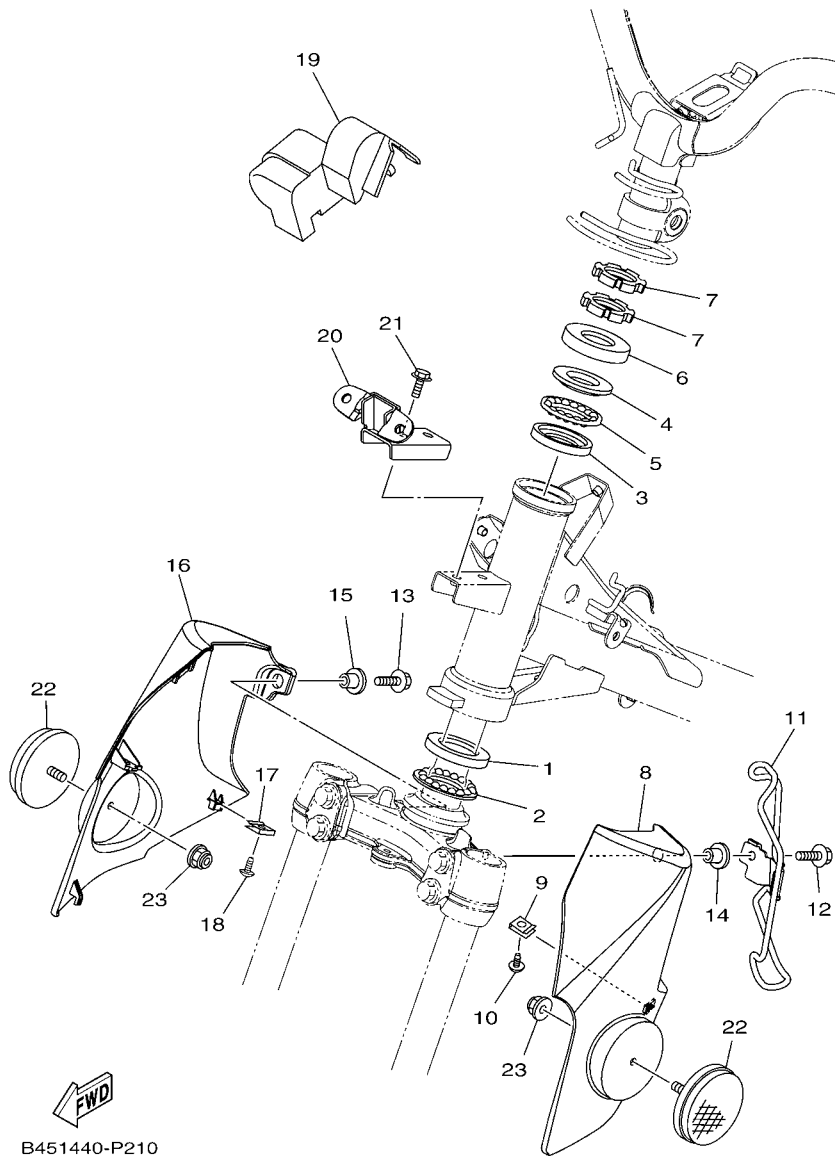


FIG. 21 STEERING

REF. NO.	PART NO.	DESCRIPTION	B451	B452		REMARKS
1	1KL-F3412-00	RACE, BALL 2	1	1		
2	5VL-F341E-10	RETAINER, BALL BEARING	1	1		
3	4RT-F3412-10	RACE, BALL 2	1	1		
4	4RT-F3411-10	RACE, BALL 1	1	1		
5	1P6-F341E-10	RETAINER, BALL BEARING	1	1		
6	5MH-F3416-01	COVER, BALL RACE 2	1	1		
7	90179-25864	NUT	2	2		
8	B45-F3122-00-P0	COVER, OUTER 1	1	1		UR FOR RM7
	B45-F3122-00-P1	COVER, OUTER 1	1	1		UR FOR BMC
9	90183-05807	NUT, SPRING	1	1		
10	97702-50016	SCREW, TAPPING	1	1		
11	1JD-F3525-00	GUIDE	1	1		
12	95022-06016	BOLT, FLANGE	1	1		
13	95022-06016	BOLT, FLANGE	1	1		
14	90387-06857	COLLAR	1	1		
15	90387-06857	COLLAR	1	1		
16	B45-F3132-00-P0	COVER, OUTER 2	1	1		UR FOR RM7
	B45-F3132-00-P1	COVER, OUTER 2	1	1		UR FOR BMC
17	90183-05807	NUT, SPRING	1	1		
18	97702-50016	SCREW, TAPPING	1	1		
19	1JD-F3472-00	PROTECTOR	1	1		
20	1JD-F331A-30	STAY	1	1		
21	95802-06012	BOLT, FLANGE	1	1		
22	4KL-H5131-14	REFLECTOR, REAR 1	2	2		
23	95602-05200	NUT, SELF-LOCKING	2	2		

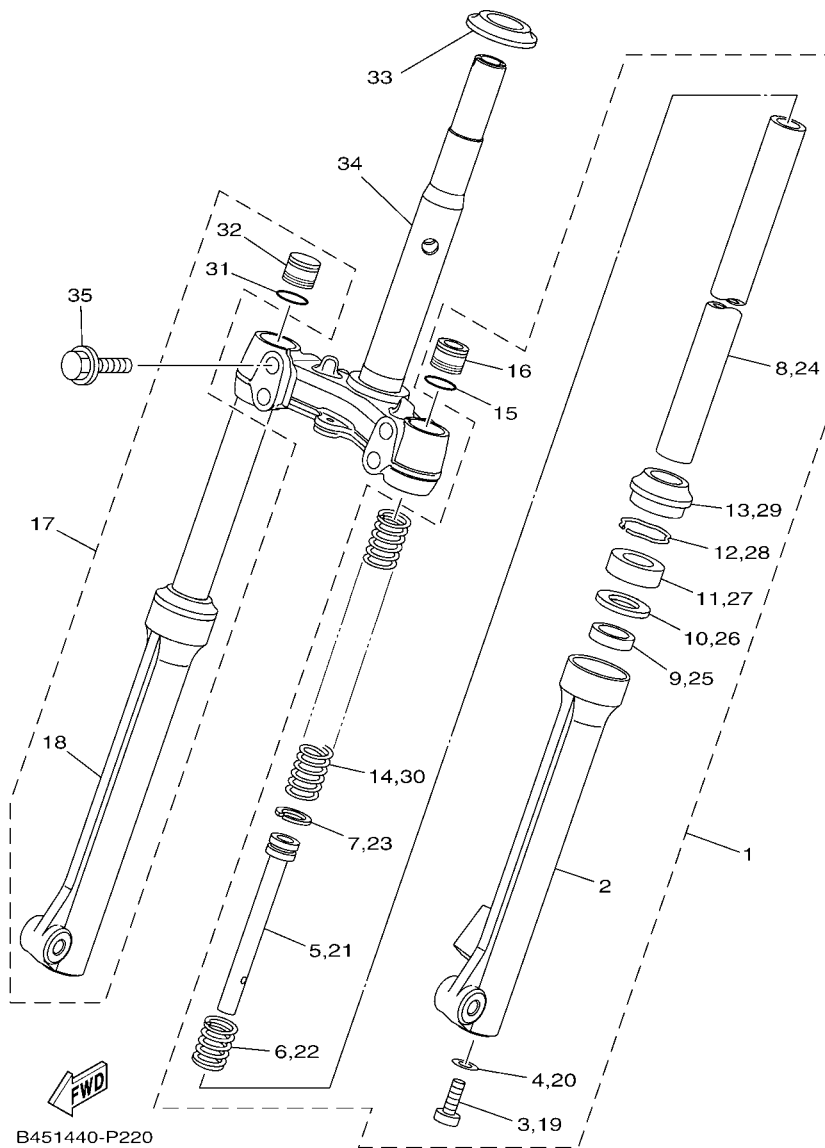


FIG. 22 FRONT FORK

REF. NO.	PART NO.	DESCRIPTION	B451	B452	REMARKS
1	B45-F3102-00	FRONT FORK ASSY (L.H)	1	1	
2	B45-F3126-00	.TUBE, OUTER (L.H)	1	1	
3	1JD-F3356-10	.BOLT 2	1	1	
4	1JD-F3479-10	.GASKET	1	1	
5	1JD-F3171-10	.PISTON, FRONT FORK	1	1	
6	1JD-F3151-10	.SPRING, REBOUND	1	1	
7	1JD-F3157-10	.RING, PISTON	1	1	
8	1JD-F3110-10	.INNER TUBE COMP.1	1	1	
9	1JD-F3118-10	.SPACER	1	1	
10	1JD-F3146-10	.WASHER, OIL SEAL	1	1	
11	1JD-F3145-10	.OIL SEAL	1	1	
12	1JD-F3153-10	.RING, SNAP	1	1	
13	1JD-F3144-10	.SEAL, DUST	1	1	
14	1JD-F3141-10	.SPRING, FRONT FORK	1	1	
15	1JD-F3147-10	.O-RING	1	1	
16	1JD-F3111-10	.BOLT, CAP	1	1	
17	B45-F3103-00	FRONT FORK ASSY (R.H)	1	1	
18	B45-F3136-00	.TUBE, OUTER	1	1	
19	1JD-F3356-10	.BOLT 2	1	1	
20	1JD-F3479-10	.GASKET	1	1	
21	1JD-F3171-10	.PISTON, FRONT FORK	1	1	
22	1JD-F3151-10	.SPRING, REBOUND	1	1	
23	1JD-F3157-10	.RING, PISTON	1	1	
24	1JD-F3110-10	.INNER TUBE COMP.1	1	1	
25	1JD-F3118-10	.SPACER	1	1	
26	1JD-F3146-10	.WASHER, OIL SEAL	1	1	
27	1JD-F3145-10	.OIL SEAL	1	1	

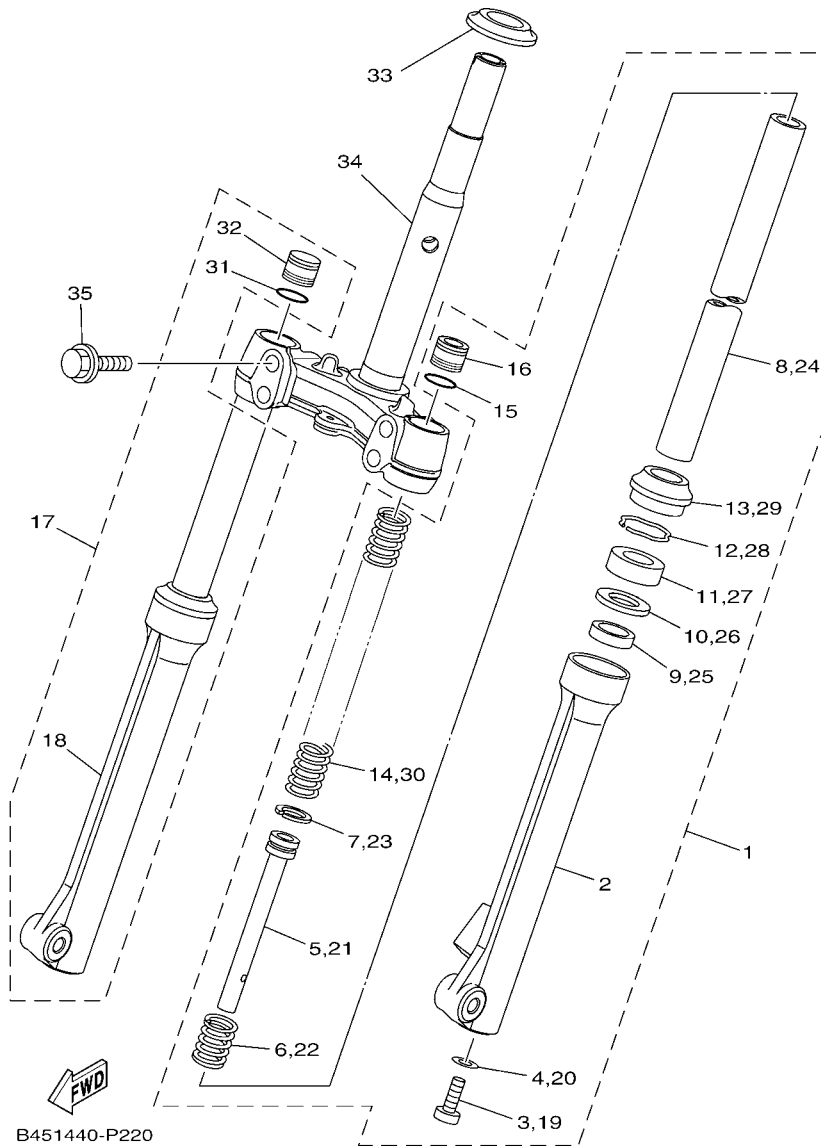
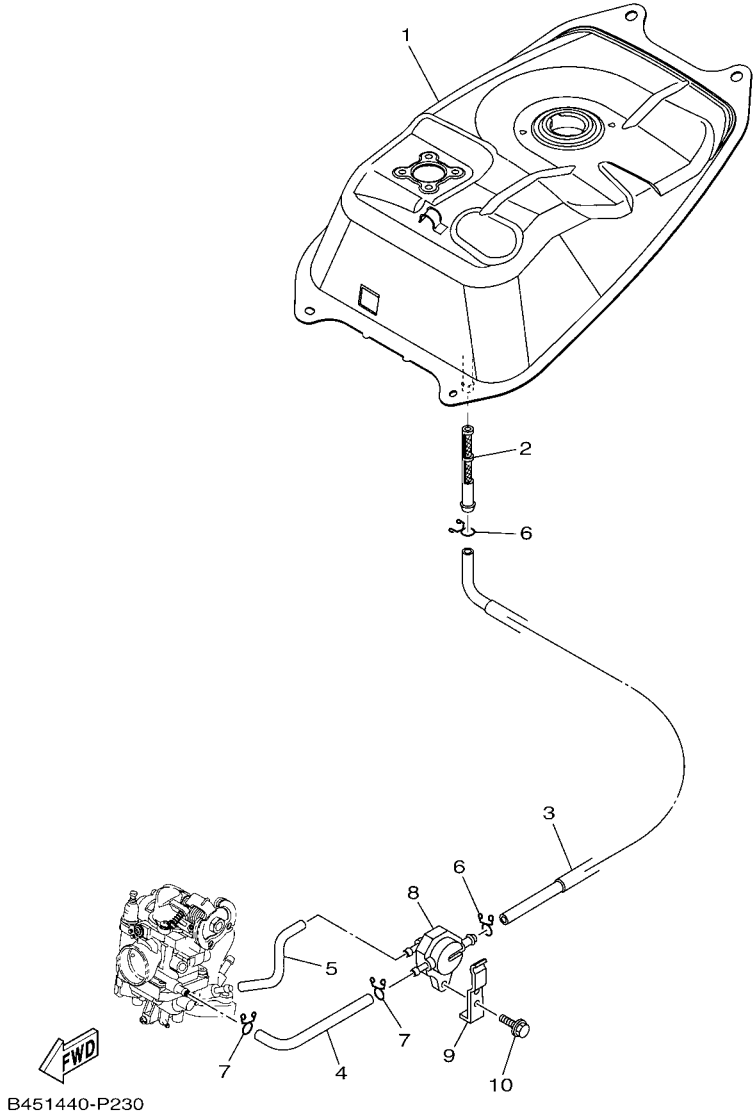


FIG. 22 FRONT FORK

REF. NO.	PART NO.	DESCRIPTION	B451	B452				REMARKS
28	1JD-F3153-10	.RING, SNAP	1	1				
29	1JD-F3144-10	.SEAL, DUST	1	1				
30	1JD-F3141-10	.SPRING, FRONT FORK	1	1				
31	1JD-F3147-10	.O-RING	1	1				
32	1JD-F3111-10	.BOLT, CAP	1	1				
33	1JD-F3411-10	RACE, BALL 1	1	1				
34	1JD-F3340-10	UNDER BRACKET COMP.	1	1				
35	1JD-F3346-10	BOLT 1	4	4				

FIG. 23 FUEL TANK



REF. NO.	PART NO.	DESCRIPTION	B451	B452	REMARKS
1	B45-F4110-00	FUEL TANK COMP.	1	1	
2	1JD-F4514-00	NET, FILTER 1	1	1	
3	1JD-F4311-00	PIPE, FUEL 1	1	1	
4	1JD-F4312-00	PIPE 2	1	1	
5	1JD-F4313-00	PIPE 3	1	1	
6	90467-10008	CLIP	2	2	
7	90467-09006	CLIP	2	2	
8	1JD-F4500-00	FUEL COCK ASSY 1	1	1	
9	1JD-F4216-00	STAY	1	1	
10	95802-06020	BOLT, FLANGE	1	1	

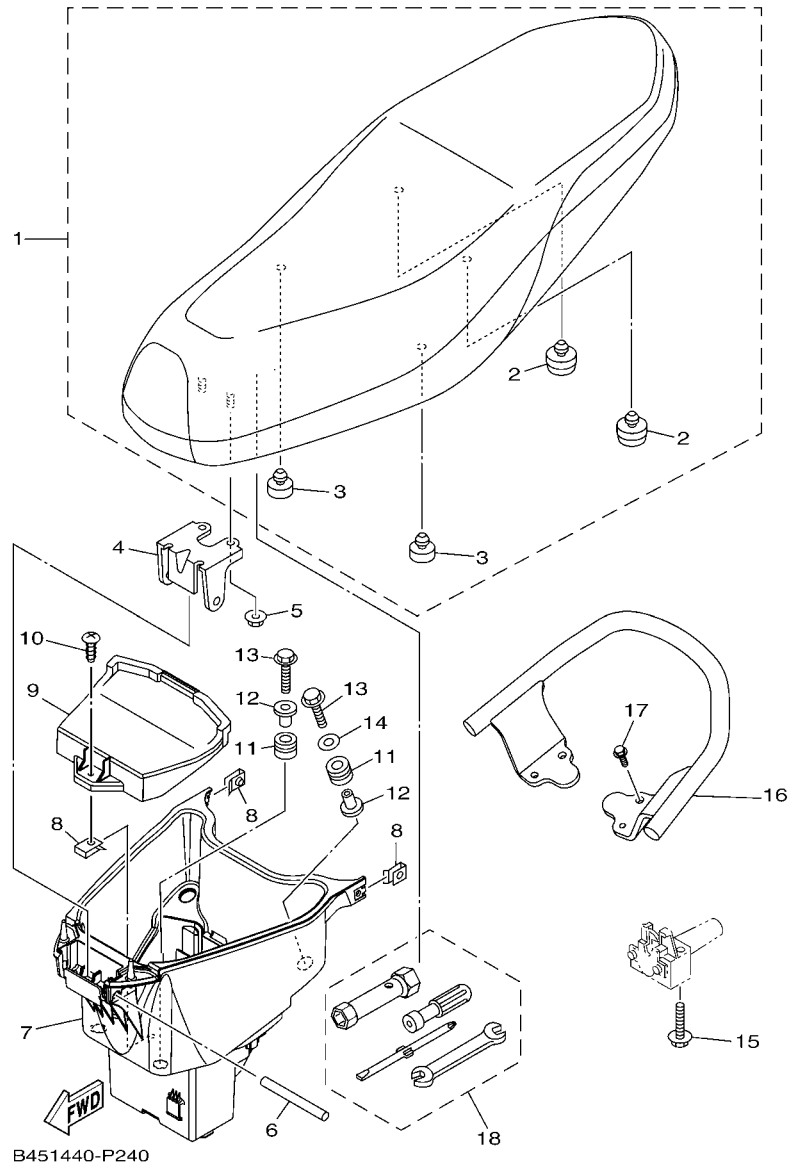
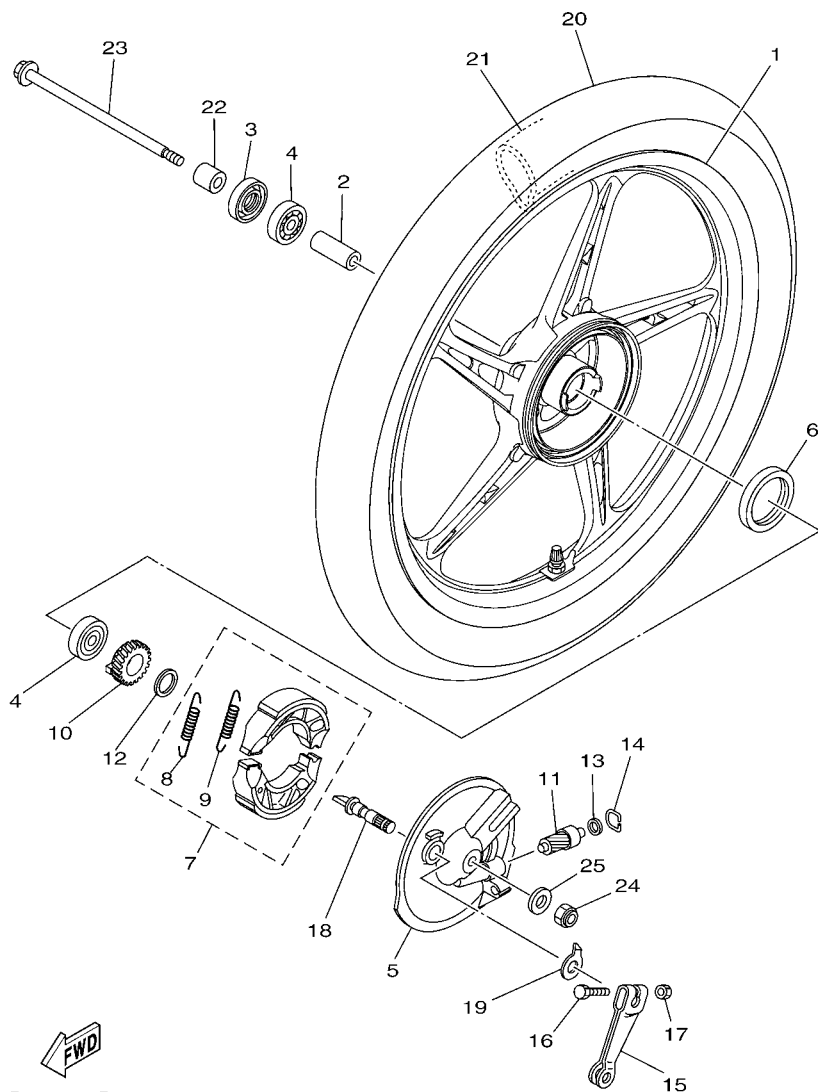


FIG. 24 SEAT

REF. NO.	PART NO.	DESCRIPTION	B451	B452			REMARKS
1	1JD-F4730-01	DOUBLE SEAT ASSY	1	1			
2	1JD-F4741-00	.PAD, SEAT	2	2			
3	1JD-F4741-10	.PAD, SEAT	2	2			
4	1JD-F4726-00	HINGE, SEAT	1	1			
5	95702-06500	NUT, FLANGE	2	2			
6	1JD-F4727-00	PIN, SEAT FITTING	1	1			
7	1JD-F473R-00	BOX 1	1	1			
8	90183-05807	NUT, SPRING	3	3			
9	1JD-F473T-00	LID 1	1	1			
10	97702-50016	SCREW, TAPPING	1	1			
11	90480-14806	GROMMET	4	4			
12	90387-068D7	COLLAR	4	4			
13	95822-06030	BOLT, FLANGE	4	4			
14	90201-06817	WASHER, PLATE	2	2			
15	95802-06035	BOLT, FLANGE	2	2			
16	B45-F4773-00	HANDLE, SEAT	1	1			
17	95812-06020	BOLT, FLANGE	4	4			
18	1JD-F8100-00	TOOL KIT	1	1			



B451440-P250

FIG. 25 FRONT WHEEL

REF. NO.	PART NO.	DESCRIPTION	B451	B452	REMARKS
1	1JD-F5168-00	CAST WHEEL, FRONT	1	1	
2	90560-10292	SPACER	1	1	
3	93106-20808	OIL SEAL	1	1	
4	93306-300YG	BEARING	2	2	
5	5VT-F5121-00-33	PLATE, BRAKE SHOE	1	1	YB FOR RM7,BMC
6	93105-47810	OIL SEAL	1	1	
7	2S1-F510L-09	BRAKE SHOE COMP.	1	1	
8	90506-12001	.SPRING, TENSION	1	1	
9	90506-15001	.SPRING, TENSION	1	1	
10	16S-F5135-00	GEAR, DRIVE	1	1	
11	16S-F5138-00	GEAR, METER	1	1	
12	90201-064L6	WASHER, PLATE	1	1	
13	90201-20269	WASHER, PLATE	1	1	
14	2S1-F5137-00	RING, STOP	1	1	
15	5VT-F5155-00	LEVER, CAMSHAFT 1	1	1	
16	90101-06278	BOLT	1	1	
17	95307-06600	NUT	1	1	
18	1S9-F5351-00	CAMSHAFT	1	1	
19	5HU-F533A-00	PLATE, INDICATOR	1	1	
20	94107-17838	TIRE (70/90-17M/C38P VRM.363F)	1	1	VEE RUBBER
21	94207-17805	TUBE (70/90-17)	1	1	VEE RUBBER
22	90387-108M0	COLLAR	1	1	
23	1JD-F5181-00	AXLE, WHEEL	1	1	
24	90185-10807	NUT, SELF-LOCKING	1	1	
25	90201-10035	WASHER, PLATE	1	1	

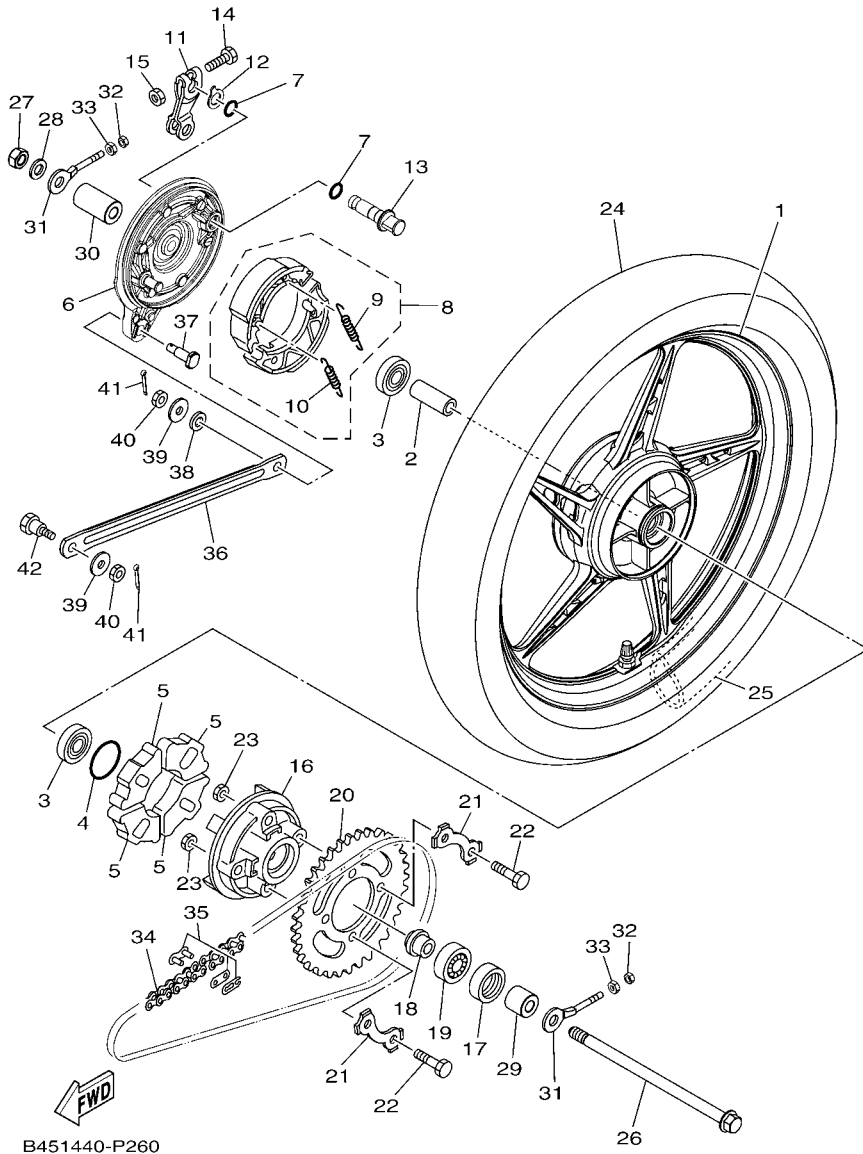


FIG. 26 REAR WHEEL

REF. NO.	PART NO.	DESCRIPTION	B451	B452	REMARKS
1	1JD-F5338-01	CAST WHEEL, REAR	1	1	
2	90387-12844	COLLAR	1	1	
3	93306-301XY	BEARING	2	2	
4	93210-40801	O-RING	1	1	
5	1KL-F5364-00	DAMPER	4	4	
6	5D9-F5321-11	PLATE, BRAKE SHOE	1	1	
7	93210-14104	O-RING	2	2	
8	5D9-F530K-00	BRAKE SHOE SET	1	1	
9	90506-12001	.SPRING, TENSION	1	1	
10	90506-15001	.SPRING, TENSION	1	1	
11	5D9-F5355-00	LEVER, CAMSHAFT	1	1	
12	5D9-F533A-00	PLATE, INDICATOR	1	1	
13	5D9-F5351-10	CAMSHAFT	1	1	
14	97027-06035	BOLT, HEXAGON	1	1	
15	95307-06600	NUT	1	1	
16	31D-F5366-00	CLUTCH, HUB	1	1	
17	93106-26812	OIL SEAL	1	1	
18	90387-127Y0	COLLAR	1	1	
19	93306-004XB	BEARING	1	1	
20	31C-F5438-00	SPROCKET, DRIVEN (38T)	1	1	
21	31D-F5412-00	WASHER	2	2	
22	90101-08847	BOLT	4	4	
23	90179-08639	NUT	4	4	
24	94108-17850	TIRE (80/90-17M/C 50P V363R)	1	1	VEE RUBBER
25	94208-17804	TUBE (80/90-17)	1	1	VEE RUBBER
26	1JD-F5381-20	AXLE, WHEEL	1	1	
27	90185-12007	NUT, SELF-LOCKING	1	1	

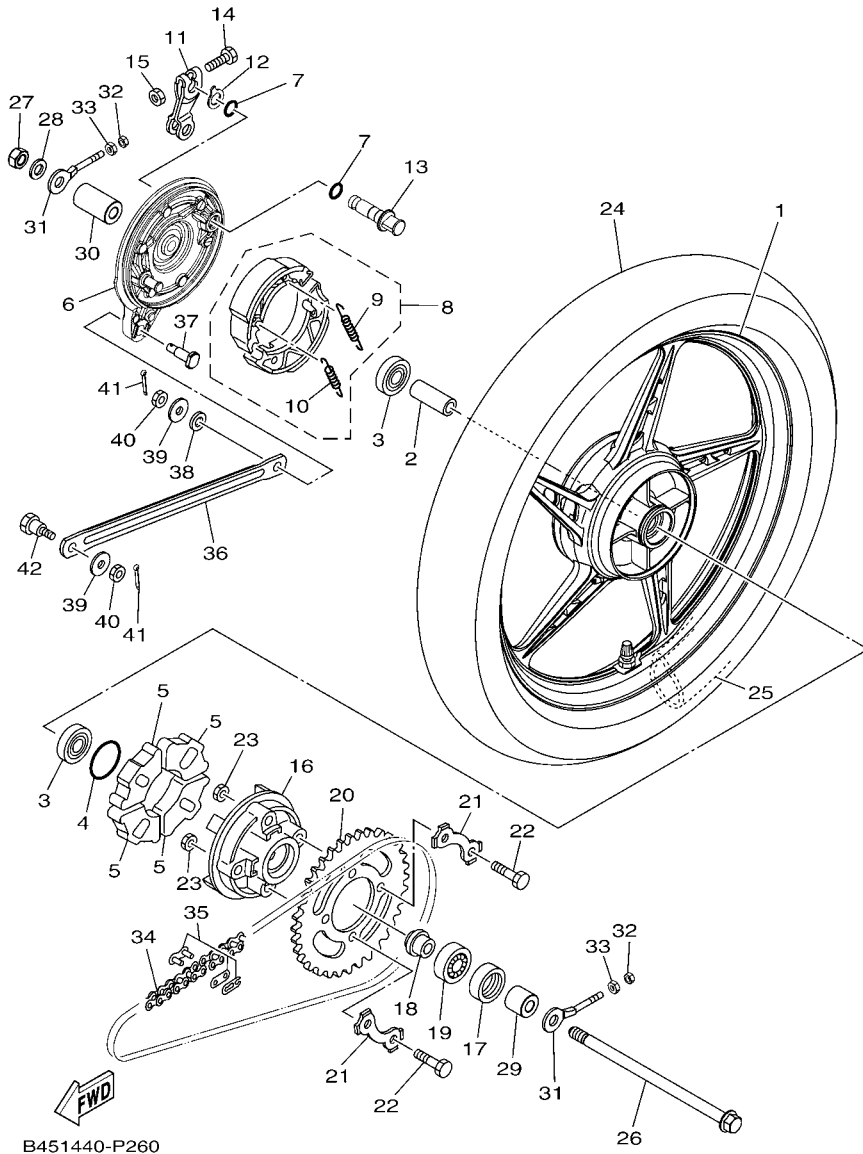
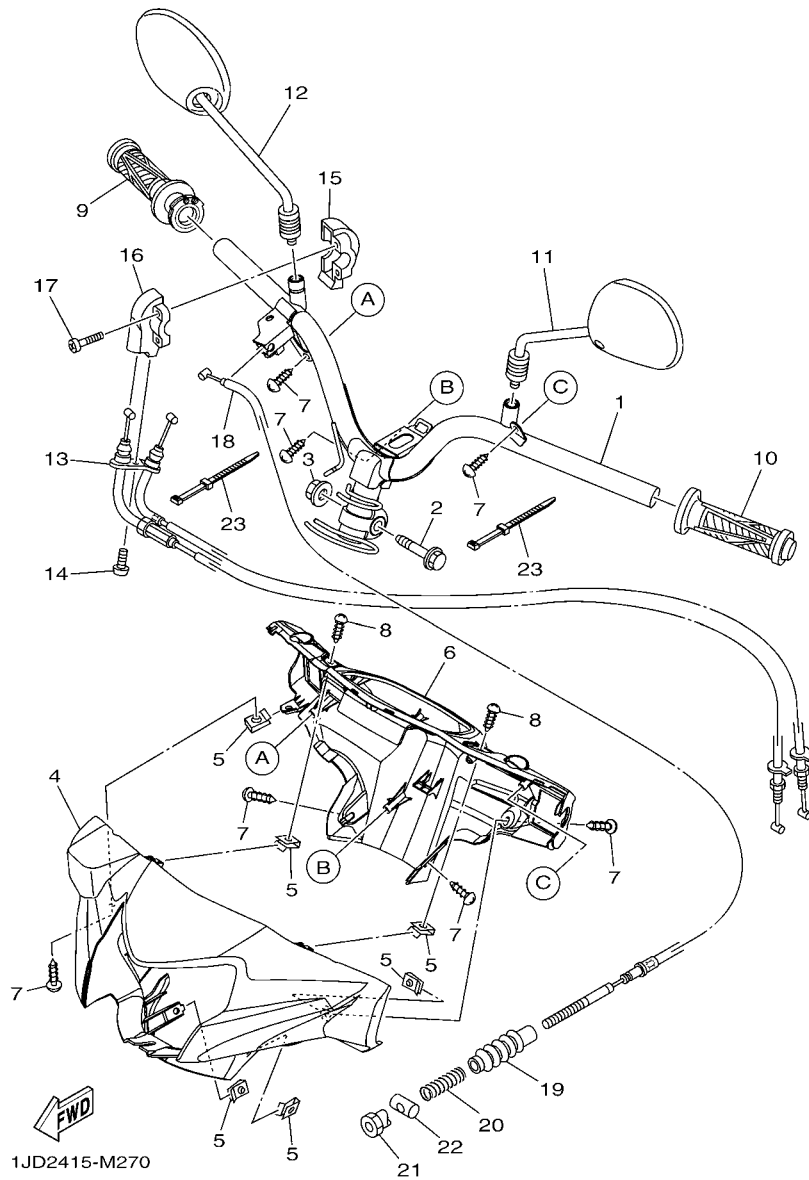


FIG. 26 REAR WHEEL

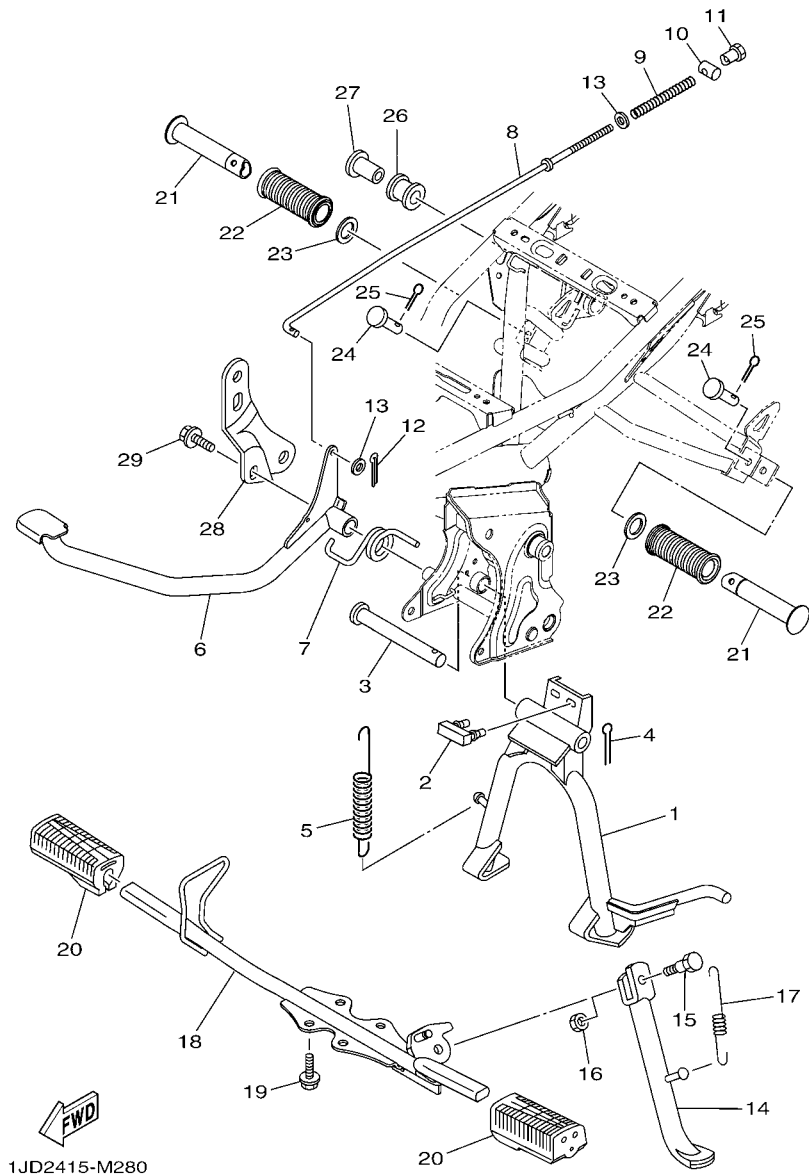
REF. NO.	PART NO.	DESCRIPTION	B451	B452		REMARKS
28	90201-12823	WASHER, PLATE	1	1		
29	1JD-F5383-00	COLLAR, WHEEL	1	1		
30	1JD-F5377-00	COLLAR, WHEEL	1	1		
31	1JD-F5389-00	PULLER, CHAIN 2	2	2		
32	95302-06600	NUT	2	2		
33	90170-06809	NUT	2	2		
34	94568-F4105	CHAIN	1	1		
35	94668-F4001	JOINT, CHAIN (420)	1	1		
36	1JD-F5371-00	BAR, TENSION	1	1		
37	90109-08828	BOLT	1	1		
38	90202-10800	WASHER, PLATE	1	1		
39	90201-081J7	WASHER, PLATE	2	2		
40	95302-08700	NUT	2	2		
41	91402-20012	PIN, COTTER	2	2		
42	90109-08841	BOLT	1	1		



1JD2415-M270

FIG. 27 STEERING HANDLE & CABLE

REF. NO.	PART NO.	DESCRIPTION	B451	B452	REMARKS
1	B45-F6110-00	HANDLE COMP.	1	1	
2	90105-10839	BOLT, FLANGE	1	1	
3	95602-10200	NUT, U FLANGE	1	1	
4	B45-F6143-00-P0	COVER, HANDLE UPPER 1	1	1	UR FOR RM7
	B45-F6143-00-P1	COVER, HANDLE UPPER 1	1	1	UR FOR BMC
5	90183-05807	NUT, SPRING	6	6	
6	1JD-F6145-01	COVER, HANDLE UPPER 2	1	1	
7	97702-50016	SCREW, TAPPING	7	7	
8	97707-50016	SCREW, TRUSS HEAD TAPPING	2	2	
9	1JD-F6240-00	GRIP ASSY	1	1	
10	1JD-F6241-00	GRIP	1	1	
11	1JD-F6280-12	REAR VIEW MIRROR ASSY (LEFT)	1	1	
12	1JD-F6290-12	REAR VIEW MIRROR ASSY (RIGHT)	1	1	
13	1JD-F6301-02	THROTTLE CABLE ASSY	1	1	
14	92012-05016	BOLT, BUTTON HEAD	1	1	
15	1JD-F6281-00	CAP, GRIP UPPER	1	1	
16	1JD-F6282-00	CAP, GRIP UNDER	1	1	
17	97602-05225	SCREW, PAN HEAD WITH WASHER	2	2	
18	B45-F6341-00	WIRE, BRAKE 1	1	1	
19	1JD-F6342-00	BOOT, CABLE	1	1	
20	90501-10806	SPRING, COMPRESSION	1	1	
21	90179-06826	NUT	1	1	
22	90249-12808	PIN	1	1	
23	5VL-H3936-00	BAND, SWITCH CORD	2	2	



1JD2415-M280

FIG. 28 STAND & FOOTREST

REF. NO.	PART NO.	DESCRIPTION	B451	B452	REMARKS
1	1JD-F7111-20	STAND, MAIN	1	1	
2	1JD-F7214-00	STOPPER	1	1	
3	1JD-F7112-00	SHAFT, MAIN STAND	1	1	
4	91402-30030	PIN, COTTER	1	1	
5	90506-35806	SPRING, TENSION	1	1	
6	1JD-F7211-10	PEDAL, BRAKE	1	1	
7	90508-40810	SPRING, TORSION	1	1	
8	1JD-F7231-00	ROD, BRAKE	1	1	
9	90501-10814	SPRING, COMPRESSION	1	1	
10	90249-12808	PIN	1	1	
11	90179-06835	NUT	1	1	
12	91402-20012	PIN, COTTER	1	1	
13	92902-06200	WASHER	2	2	
14	1JD-F7311-00	STAND, SIDE	1	1	
15	90109-08820	BOLT	1	1	
16	95602-08200	NUT, SELF-LOCKING	1	1	
17	90506-23804	SPRING, TENSION	1	1	
18	1FD-F7411-00	FOOTREST 1	1	1	
19	95822-08016	BOLT, FLANGE	4	4	
20	1PB-F7413-00	COVER, FOOTREST	2	2	
21	1JD-F7431-00	FOOTREST, REAR 1	2	2	
22	4FP-F7433-00	COVER, REAR FOOTREST	2	2	
23	90201-208D4	WASHER, PLATE	2	2	
24	90240-06806	PIN, CLEVIS	2	2	
25	91402-16012	PIN, COTTER	2	2	
26	1JD-E4747-00	DAMPER, MUFFLER	1	1	
27	90387-08830	COLLAR	1	1	

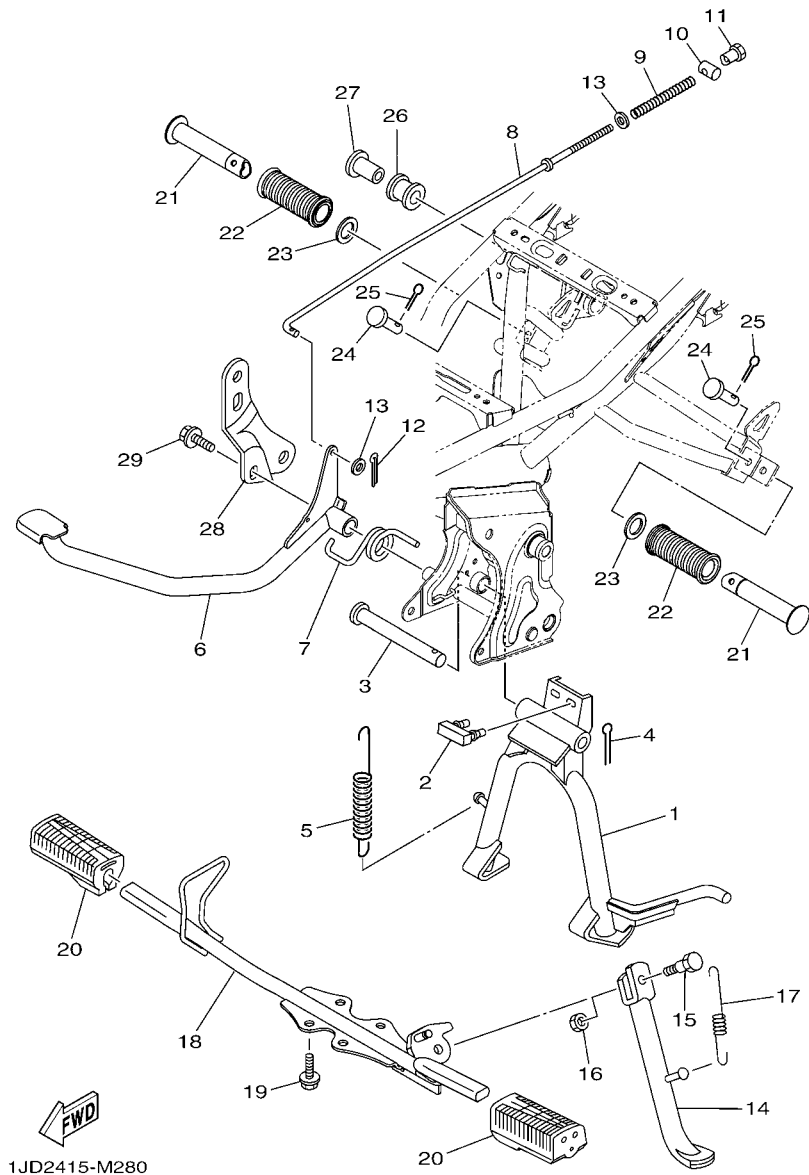


FIG. 28 STAND & FOOTREST

REF. NO.	PART NO.	DESCRIPTION	B451	B452	REMARKS
28	1JD-F194J-00	STAY, MUFFLER	1	1	
29	95822-08016	BOLT, FLANGE	1	1	

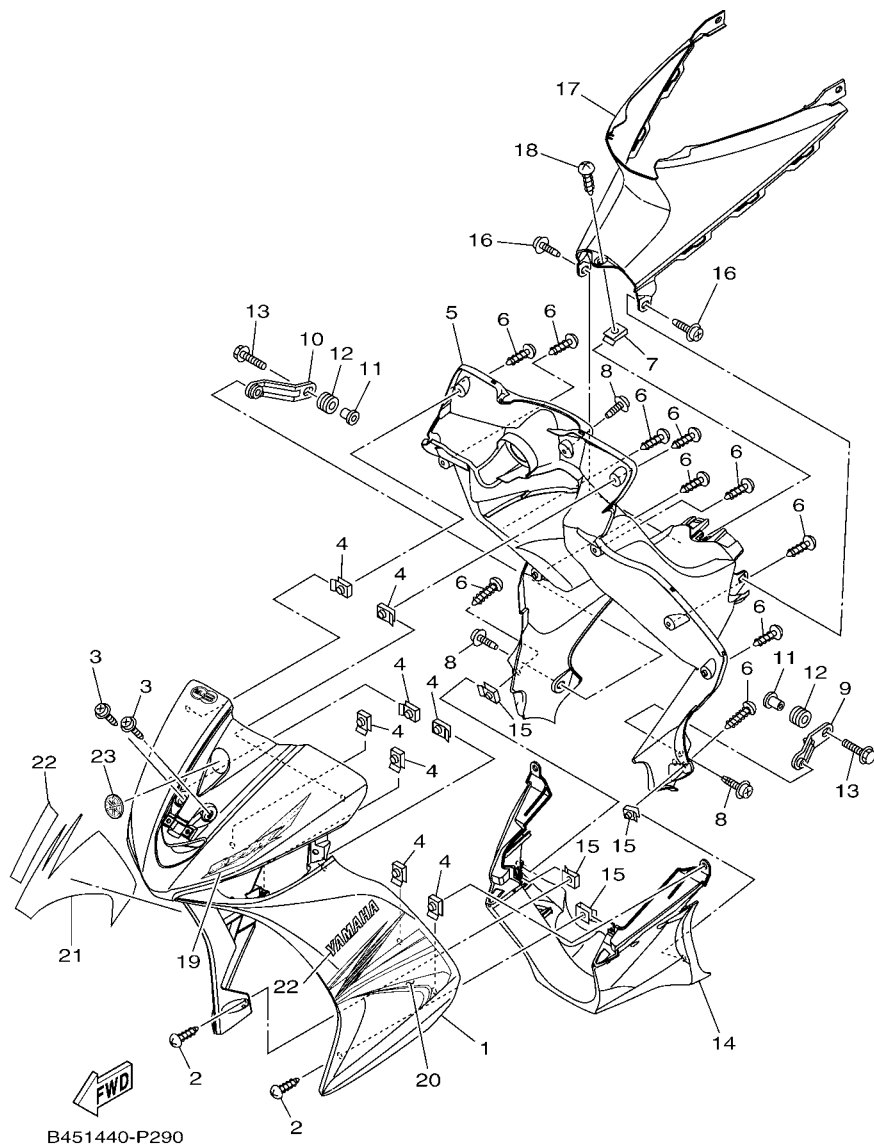
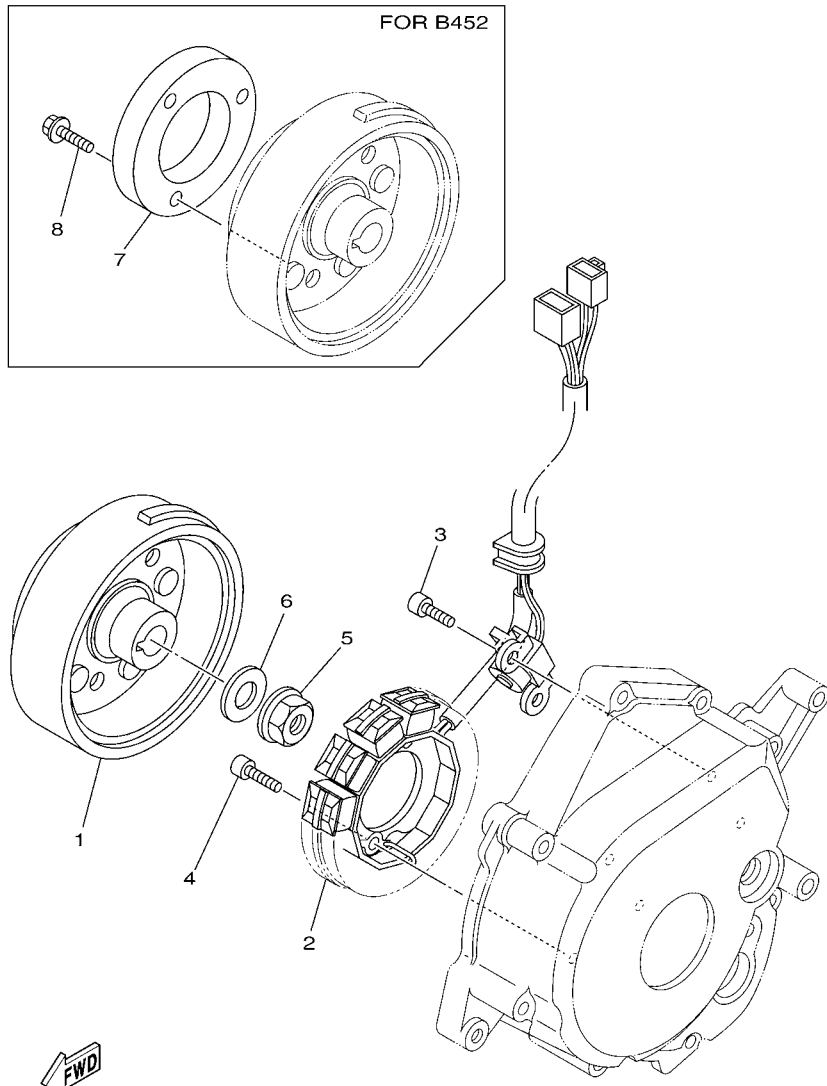


FIG. 29 LEG SHIELD

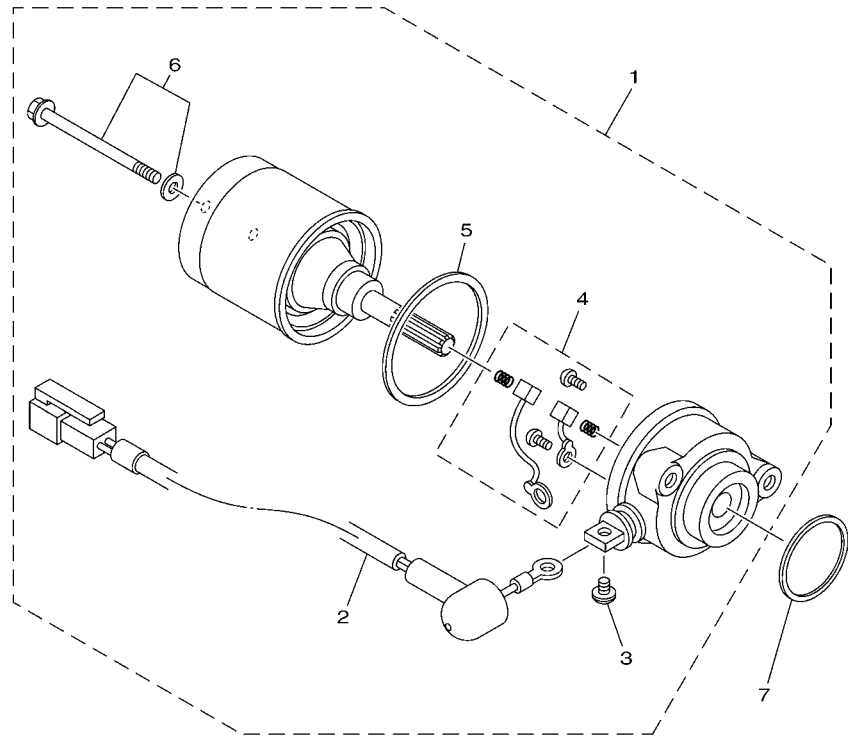
REF. NO.	PART NO.	DESCRIPTION	B451	B452	REMARKS
1	B45-F8311-01-P0	LEG SHIELD 1	1	1	UR FOR RM7
	B45-F8311-01-P1	LEG SHIELD 1	1	1	UR FOR BMC
2	97702-50016	SCREW, TAPPING	2	2	
3	90159-06801	SCREW, WITH WASHER	2	2	
4	90183-05807	NUT, SPRING	8	8	
5	1JD-F8312-00	LEG SHIELD 2	1	1	
6	97702-50016	SCREW, TAPPING	10	10	
7	90183-05807	NUT, SPRING	1	1	
8	90159-06801	SCREW, WITH WASHER	3	3	
9	1JD-F8321-00	STAY 1	1	1	
10	1JD-F8322-00	STAY 2	1	1	
11	90387-10833	COLLAR	2	2	
12	90480-13815	GROMMET	2	2	
13	90119-06810	BOLT, WITH WASHER	2	2	
14	1JD-F8385-00	COVER, UNDER	1	1	
15	90183-05807	NUT, SPRING	4	4	
16	90159-06801	SCREW, WITH WASHER	2	2	
17	1JD-F842N-00	COVER 2	1	1	
18	97702-50016	SCREW, TAPPING	1	1	
19	B45-F8391-00	GRAPHIC 1	1	1	UR FOR RM7
	B45-F8391-10	GRAPHIC 1	1	1	UR FOR BMC
20	B45-F8393-00	GRAPHIC 3	1	1	UR FOR RM7
	B45-F8393-10	GRAPHIC 3	1	1	UR FOR BMC
21	B45-F8394-00	GRAPHIC 4	1	1	UR FOR RM7
	B45-F8394-10	GRAPHIC 4	1	1	UR FOR BMC
22	99231-00100	EMBLEM, YAMAHA	2	2	
23	5VW-F313B-00	EMBLEM, 1	1	1	



B451440-P300

FIG. 30 GENERATOR

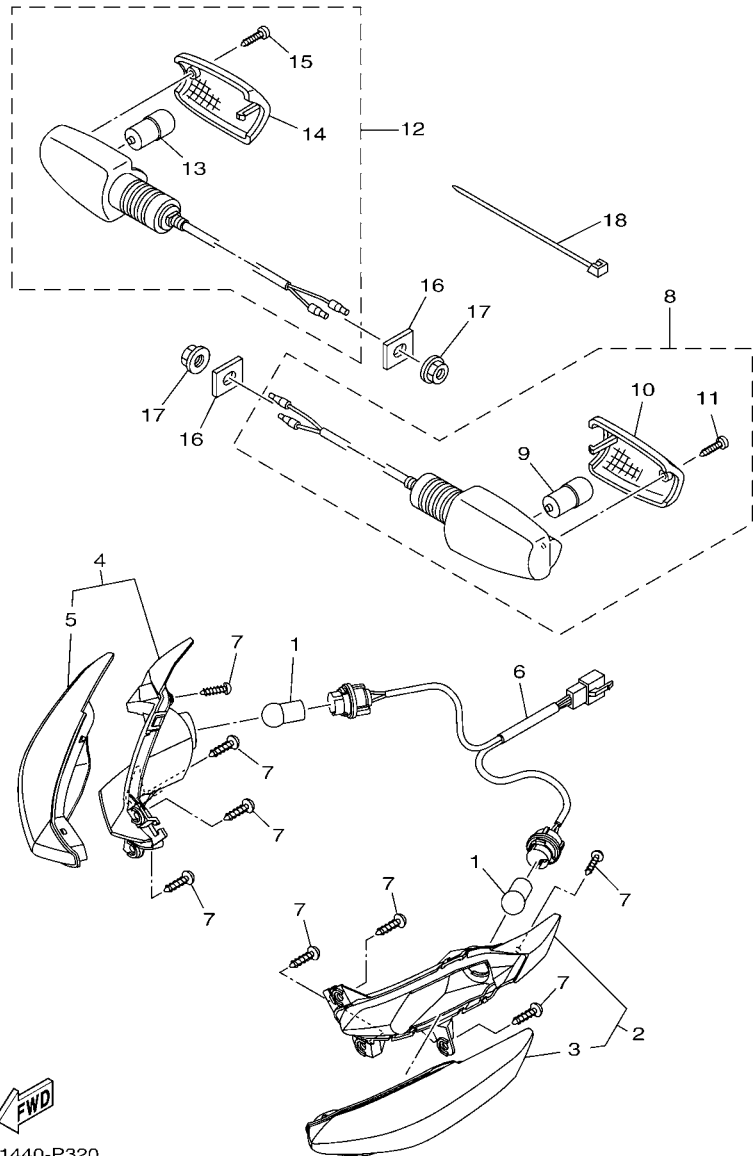
REF. NO.	PART NO.	DESCRIPTION	B451	B452			REMARKS
1	1JD-H1450-00	ROTOR ASSY	1	1			
2	B45-H1410-00	STATOR ASSY	1	1			
3	91312-06020	BOLT	2	2			
4	91312-06016	BOLT	2	2			
5	95702-12500	NUT, FLANGE	1	1			
6	90201-12826	WASHER, PLATE	1	1			
7	B45-H1358-00	RING, WEIGHT		1			
8	95812-06020	BOLT, FLANGE		3			




 1JD1415-L310

FIG. 31 STARTING MOTOR

REF. NO.	PART NO.	DESCRIPTION	B451	B452		REMARKS
1	1JD-H1800-00	STARTING MOTOR ASSY	1			
2	1JD-H183G-00	.CORD COMP.	1			
3	98902-05008	.SCREW, BIND	1			
4	4RT-H1801-00	.BRUSH SET	1			
5	4S9-H1834-00	.RING	1			
6	1JD-H1828-00	.SCREW SET	2			
7	93210-29811	O-RING	1			



B451440-P320

FIG. 32 FLASHER LIGHT

REF. NO.	PART NO.	DESCRIPTION	B451	B452	REMARKS
1	3D9-H3311-20	BULB, FLASHER	2	2	
2	1JD-H3310-12	FRONT FLASHER LIGHT ASSY 1	1	1	
3	1JD-H3332-12	.LENS, FLASHER	1	1	
4	1JD-H3320-12	FRONT FLASHER LIGHT ASSY 2	1	1	
5	1JD-H3342-12	.LENS, FLASHER 2	1	1	
6	1JD-H4140-10	SOCKET CORD ASSY	1	1	
7	97702-50016	SCREW, TAPPING	8	8	
8	1JD-H3330-02	REAR FLASHER LIGHT ASSY 1	1	1	
9	4FP-H3311-00	.BULB, FLASHER (12V-10W)	1	1	
10	1JD-H3312-02	.LENS, FLASHER	1	1	
11	1BK-H3333-00	.SCREW, LENS FITTING	1	1	
12	1JD-H3340-02	REAR FLASHER LIGHT ASSY 2	1	1	
13	4FP-H3311-00	.BULB, FLASHER (12V-10W)	1	1	
14	1JD-H3312-02	.LENS, FLASHER	1	1	
15	1BK-H3333-00	.SCREW, LENS FITTING	1	1	
16	5VL-H3359-01	WASHER, SPECIAL	2	2	
17	95702-10500	NUT, FLANGE	2	2	
18	90464-35820	CLAMP	1	1	

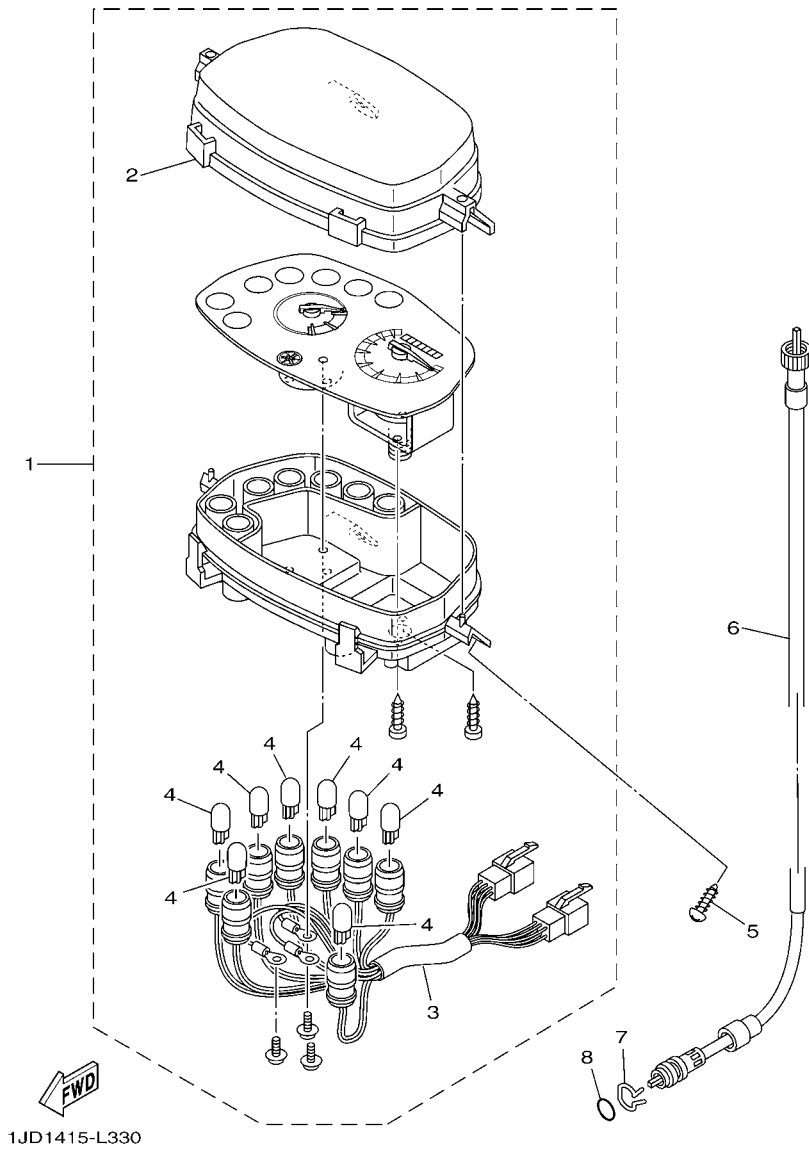
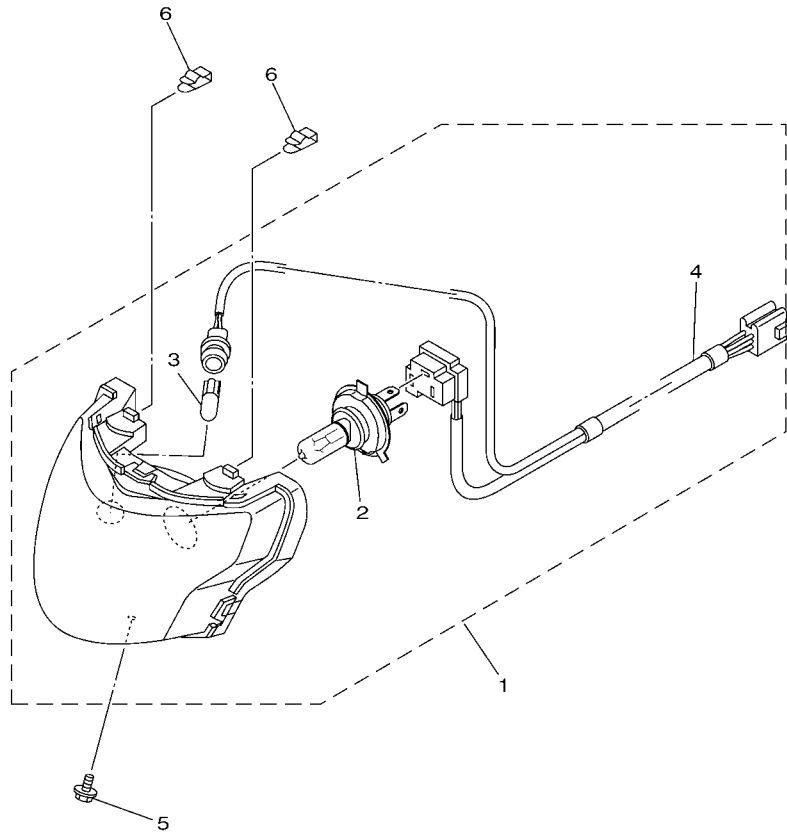


FIG. 33 METER

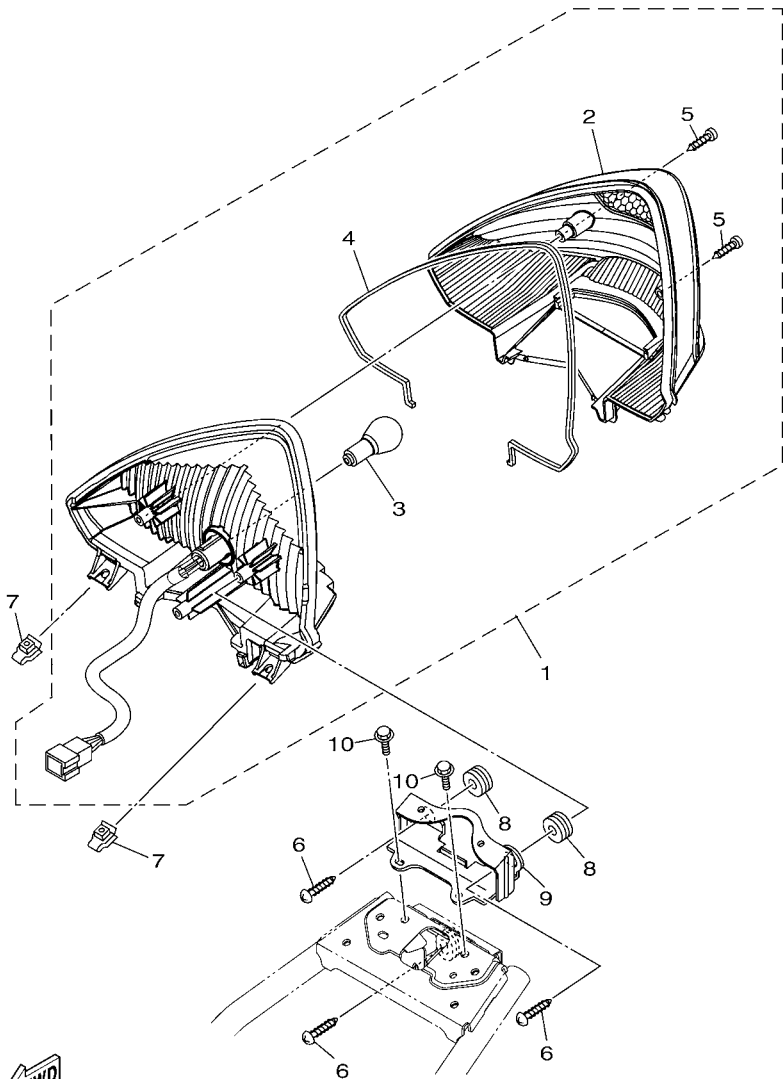
REF. NO.	PART NO.	DESCRIPTION			REMARKS
			B451	B452	
1	1JD-H3510-11	SPEEDOMETER ASSY	1	1	
2	1JD-H3511-00	.LENS, SPEEDOMETER	1	1	
3	1JD-H3520-00	.SOCKET CORD ASSY	1	1	
4	4FP-H3517-10	.BULB (12V-1.7W)	8	8	
5	97702-50016	SCREW, TAPPING	3	3	
6	1JD-H3550-00	SPEEDOMETER CABLE ASSY	1	1	
7	16S-F5137-00	RING, STOP	1	1	
8	93210-10801	O-RING	1	1	



 B451440-P340

FIG. 34 HEADLIGHT

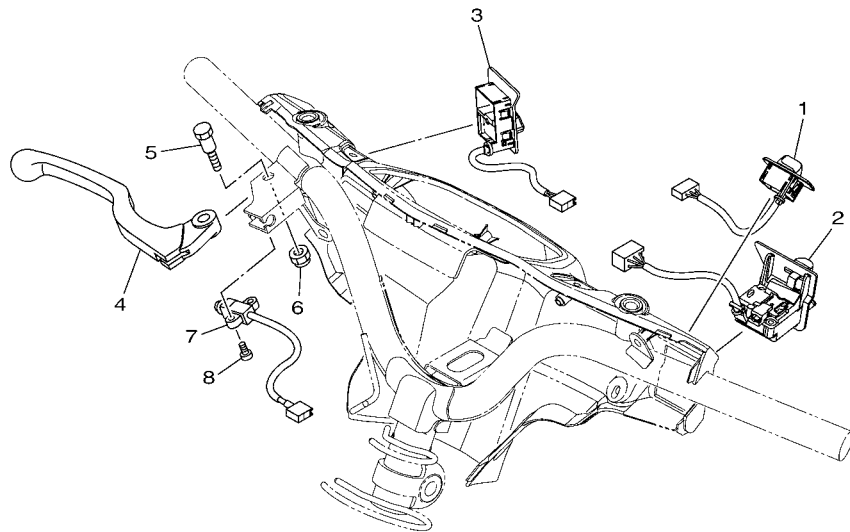
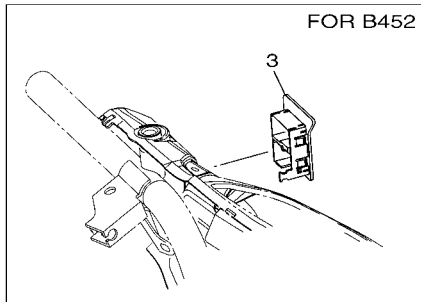
REF. NO.	PART NO.	DESCRIPTION			REMARKS
			B451	B452	
1	B45-H4310-00	HEADLIGHT UNIT ASSY	1	1	
2	1SB-H4314-00	.BULB, HEADLIGHT (12V-35/35W)	1	1	
3	1JD-H4347-00	.BULB (W3W-12V)	1	1	
4	B45-H4312-00	.CORD ASSY	1	1	
5	95802-06010	BOLT, FLANGE	1	1	
6	1JD-H4374-00	CLIP	2	2	



B451440-P350

FIG. 35 TAILLIGHT

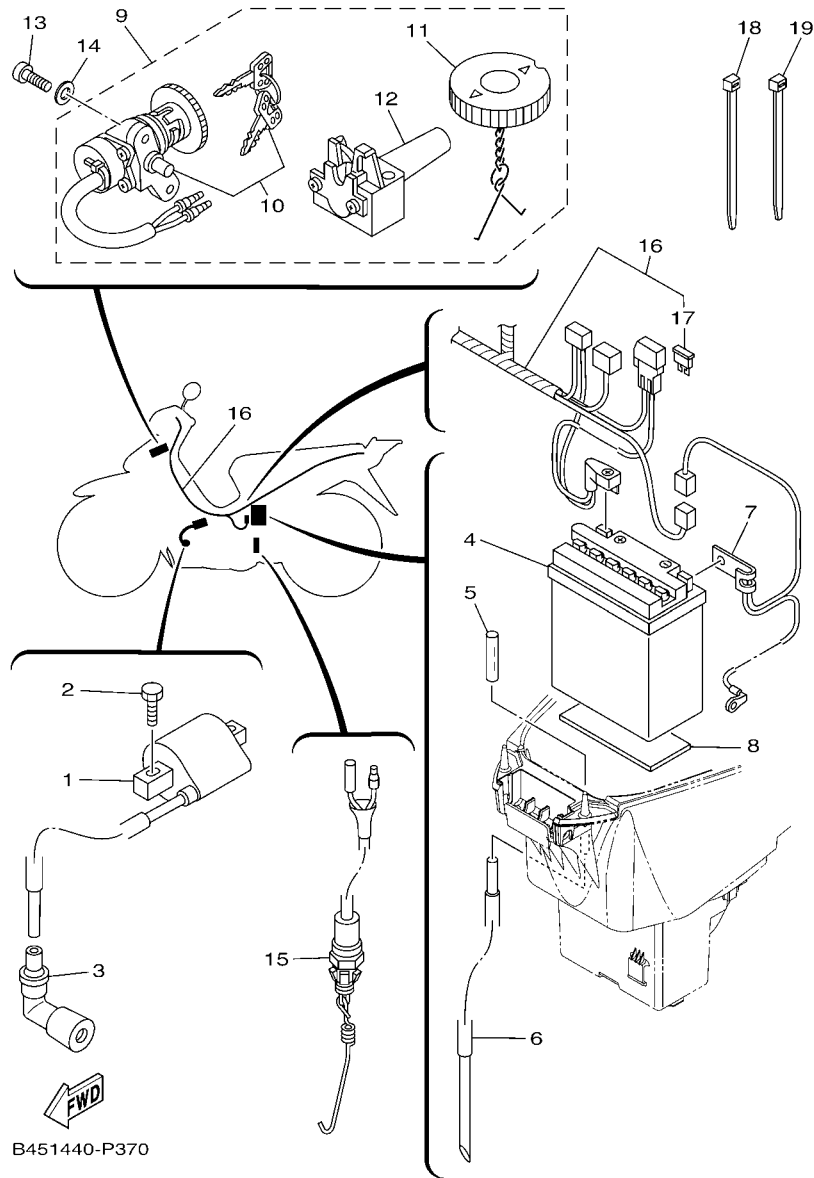
REF. NO.	PART NO.	DESCRIPTION	B451	B452			REMARKS
1	1JD-H4710-12	TAILLIGHT UNIT ASSY	1	1			
2	1JD-H4721-01	.LENS, TAILLIGHT	1	1			
3	4KL-H4714-20	.BULB (12V-21/5W)	1	1			
4	1JD-H4704-00	.GASKET, TAILLIGHT	1	1			
5	3D9-H4724-10	.SCREW, LENS FITTING	2	2			
6	97702-50016	SCREW, TAPPING	3	3			
7	90183-05819	NUT, SPRING	2	2			
8	90480-18805	GROMMET	2	2			
9	1JD-H4702-00	BRACKET, TAILLIGHT	1	1			
10	90119-06018	BOLT, WITH WASHER	2	2			



B451440-P360

FIG. 36 HANDLE SWITCH & LEVER

REF. NO.	PART NO.	DESCRIPTION	B451	B452			REMARKS
1	1JD-H3976-00	SWITCH, HANDLE 1	1	1			
2	1JD-H3975-10	SWITCH, HANDLE 2	1	1			
3	B45-H3976-00	SWITCH, HANDLE 1	1				
	B45-H2552-00	CAP, SWITCH		1			
4	1JD-H3922-00	LEVER 2	1	1			
5	90109-06883	BOLT	1	1			
6	95602-06100	NUT, U	1	1			
7	1JD-H3980-00	FRONT STOP SWITCH ASSY	1	1			
8	98502-04010	SCREW, PAN HEAD	2	2			



B451440-P370

FIG. 37 ELECTRICAL 1

REF. NO.	PART NO.	DESCRIPTION	B451	B452				REMARKS
			1	1				
1	1JD-H2310-00	IGNITION COIL ASSY	1	1				
2	97022-06016	BOLT, HEXAGON	2	2				
3	1JD-H2370-00	PLUG CAP ASSY	1	1				
4	4VC-H2110-00	BATTERY ASSY (YB5L-B)	1	1				
5	90445-08819	HOSE (L40)	1	1				
6	90445-08829	HOSE	1	1				
7	1JD-H2116-01	WIRE, MINUS LEAD	1	1				
8	1JD-H2176-00	DAMPER	1	1				
9	B45-H2021-00	KEY SET	1	1				
10	1JD-H2501-10	.MAIN SWITCH STEERING LOCK	1	1				
11	B45-F4610-00	.CAP ASSY	1	1				
12	1JD-F4780-00	.SEAT LOCK ASSY	1	1				
13	90149-06848	SCREW	2	2				
14	90201-07808	WASHER, PLATE	2	2				
15	1JD-H2530-00	STOP SWITCH ASSY	1	1				
16	B45-H2590-00	WIRE HARNESS ASSY	1					
	B45-H2590-10	WIRE HARNESS ASSY		1				
17	1JD-H2151-00	.FUSE (7.5A)	1	1				
18	90465-13152	CLAMP	3	3				
19	90464-35820	CLAMP	1	1				

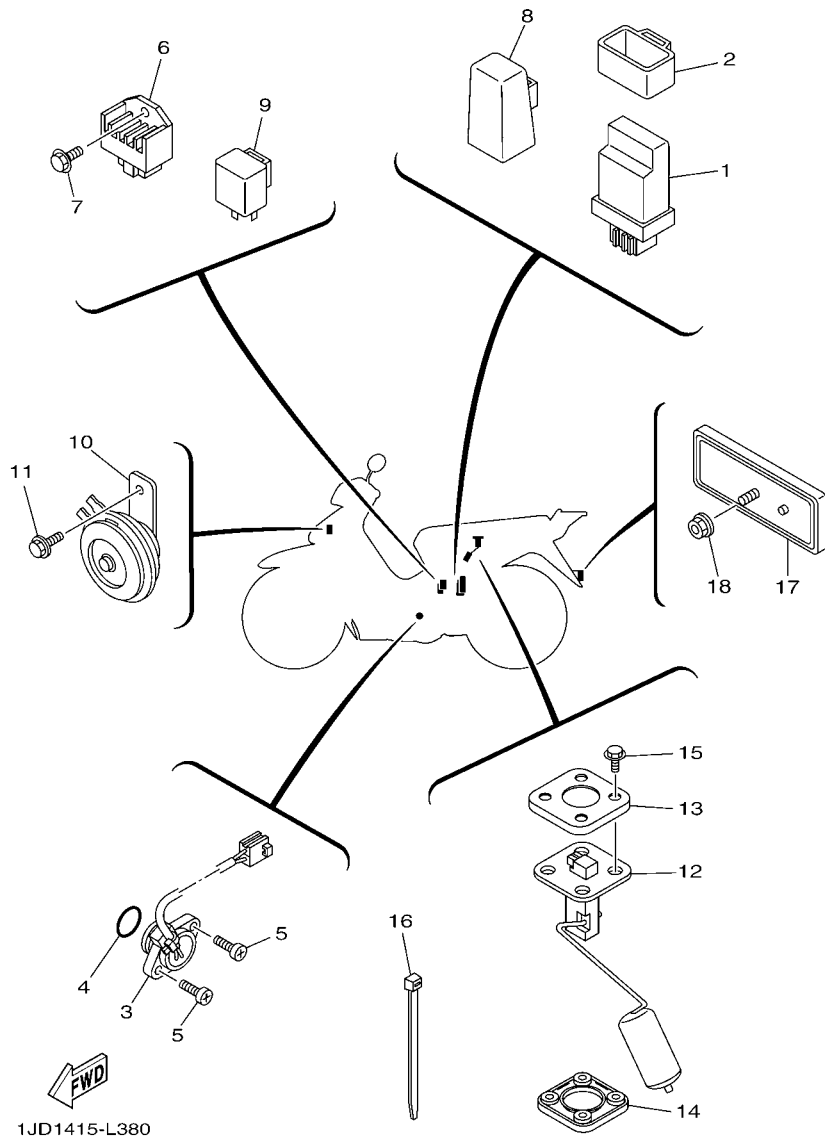


FIG. 38 ELECTRICAL 2

REF. NO.	PART NO.	DESCRIPTION	B451	B452	REMARKS
1	1JD-H554A-00	C.D.I. UNIT COMP.	1	1	
2	1JD-H5546-00	BAND	1	1	
3	1JD-H2540-00	NEUTRAL SWITCH ASSY	1	1	
4	93210-21804	O-RING	1	1	
5	98502-05016	SCREW, PAN HEAD	2	2	
6	1JD-H1960-00	RECTIFIER & REGULATOR ASSY	1	1	
7	95022-06014	BOLT, FLANGE	1	1	
8	4S9-H1940-00	STARTER RELAY ASSY	1		
9	5VL-H3350-21	FLASHER RELAY ASSY	1	1	
10	1JD-H3371-10	HORN	1	1	
11	95802-06010	BOLT, FLANGE	1	1	
12	1JD-H5752-00	SENDER UNIT ASSY, FUEL METER	1	1	
13	1JD-H5757-00	RETAINER	1	1	
14	1JD-H5753-01	GASKET, SENDER UNIT	1	1	
15	90119-05802	BOLT, WITH WASHER	4	4	
16	90464-35820	CLAMP	1	1	
17	3D9-H5130-00	REAR REFLECTOR ASSY	1	1	
18	95702-05500	NUT, FLANGE	1	1	

NUMERICAL INDEX

PART NO.	REF. NO.	PART NO.	REF. NO.	PART NO.	REF. NO.	PART NO.	REF. NO.	PART NO.	REF. NO.	PART NO.	REF. NO.
85L-14147-00	7 - 29	1JD-E4333-00	7 - 5	1JD-E5580-00	12 - 5	1JD-E8186-00	16 - 18	1JD-F3145-10	22 - 27	16S-F5135-00	25 - 10
360-24512-00	7 - 10	1JD-E4338-00	7 - 23	1JD-E620-00	11 - 11	1JD-E8337-00	16 - 9	1JD-F3146-10	22 - 10	16S-F5137-00	33 - 7
1JD-E1111-20	1 - 1	1JD-E4341-00	7 - 8	1JD-E5641-30	11 - 2	1JD-E8511-00	15 - 9		22 - 26	2S1-F5137-00	25 - 14
1JD-E111F-10	4 - 3	1JD-E4342-68	7 - 11	1P6-E5644-00	11 - 5	1JD-E8512-00	15 - 10	1JD-F3147-10	22 - 15	16S-F5138-00	25 - 11
1JD-E1166-10	9 - 4	1JD-E4343-52	7 - 9		12 - 4	1JD-E8531-00	15 - 8		22 - 31	5VT-F5155-00	25 - 15
1JD-E1181-00	1 - 15	1JD-E4349-01	7 - 35	1JD-E5645-10	11 - 8	1JD-E8542-00	15 - 5	1JD-F3151-10	22 - 6	1JD-F5168-00	25 - 1
1JD-E1185-00	1 - 5	1JD-E4357-00	7 - 20	1JD-E5661-10	11 - 1	1JD-E8699-00	16 - 23		22 - 22	1JD-F5181-00	25 - 23
1JD-E1186-00	1 - 8	1JD-E4368-00	7 - 17	1JD-E5664-30	11 - 9	B45-F1110-00	17 - 1	1JD-F3153-10	22 - 12	5D9-F530K-00	26 - 8
1JD-E1310-00	1 - 18	1JD-E4384-00	7 - 3	1JD-E5671-10	11 - 4	1JD-F117R-00	17 - 8		22 - 28	5D9-F5321-11	26 - 6
1JD-E1351-00	1 - 19	1JD-E4385-00	7 - 26	1JD-E6150-10	13 - 14	1JD-F139R-00	17 - 7	1JD-F3157-10	22 - 7	1JD-F5338-01	26 - 1
1JD-E1631-00	2 - 4	1JD-E4386-00	7 - 27	4S9-E6154-10	13 - 21	1JD-F139U-00	17 - 10		22 - 23	5D9-F533A-00	26 - 12
1JD-E1633-00	2 - 5	1JD-E4390-00	7 - 28	1JD-E6300-10	13 - 13	B45-F1511-00-P0	18 - 1	1JD-F3171-10	22 - 5	5HU-F533A-00	25 - 19
1JD-E2111-00	3 - 1	1JD-E4410-02	6 - 8	1JD-E6321-20	13 - 17	B45-F1511-00-P1	18 - 1		22 - 21	1S9-F5351-00	25 - 18
4S9-E2114-00	3 - 4	1JD-E4411-01	6 - 9	4S9-E6324-10	13 - 16	1JD-F1611-02	18 - 5	1JD-F331A-30	21 - 20	5D9-F5351-10	26 - 13
1JD-E2117-00	3 - 6	1JD-E4412-00	6 - 11	1JD-E6346-00	16 - 10	B45-F171E-00-P0	19 - 14	1JD-F3340-10	22 - 34	5D9-F5355-00	26 - 11
1P6-E2118-00	3 - 5	1JD-E443E-00	6 - 16	4S9-E6350-10	13 - 22	B45-F1731-00-P0	19 - 1	1JD-F3346-10	22 - 35	1KL-F5364-00	26 - 5
1JD-E2119-00	3 - 3	1JD-E443G-00	6 - 18	4S9-E6351-10	13 - 18	B45-F173E-00	19 - 16	1JD-F3356-10	22 - 3	31D-F5366-00	26 - 16
1JD-E2121-00	3 - 2	1JD-E4450-00	6 - 10	1JD-E6356-00	13 - 28	B45-F173E-10	19 - 16		22 - 19	1JD-F5371-00	26 - 36
1JD-E2126-00	3 - 7	1JD-E4452-00	6 - 14	1JD-E6357-00	13 - 27	B45-F173F-00	19 - 17	1JD-F3411-10	22 - 33	1JD-F5377-00	26 - 30
5VL-E2151-00	3 - 8	1JD-E4453-00	6 - 12	4S9-E6371-10	13 - 15	B45-F173F-10	19 - 17	4RT-F3411-10	21 - 4	1JD-F5381-20	26 - 26
5VL-E2156-00	3 - 10	5AV-E445E-00	7 - 34	1JD-E6512-00	13 - 6	B45-F1741-00-P0	19 - 7	1KL-F3412-00	21 - 1	1JD-F5383-00	26 - 29
1JD-E2170-10	4 - 1	1JD-E4462-00	6 - 13	1JD-E6586-00	13 - 7	B45-F175C-00	19 - 18	4RT-F3412-10	21 - 3	1JD-F5389-00	26 - 31
1JD-E2176-00	4 - 5	1JD-E4561-00	7 - 7	1JD-E6611-10	13 - 2	1JD-F194J-00	28 - 28	5MH-F3416-01	21 - 6	31D-F5412-00	26 - 21
1JD-E2210-00	4 - 12	1JD-E4565-00	7 - 24	4S9-E6620-10	13 - 3	B45-F2110-00	20 - 1	1P6-F341E-10	21 - 5	31C-F5438-00	26 - 20
1JD-E2213-00	4 - 13	1JD-E4571-00	7 - 30	4S9-E6626-10	13 - 4	1JD-F2141-00	20 - 4	5VL-F341E-10	21 - 2	B45-F6110-00	27 - 1
1JD-E2228-00	4 - 11	1JD-E4589-00	7 - 18	1JD-E7121-20	14 - 6	1JD-F2151-00	20 - 3	1JD-F3472-00	21 - 19	B45-F6143-00-P0	27 - 4
1JD-E2231-10	4 - 9	5WB-E4596-00	7 - 6	1JD-E7131-20	14 - 2	B45-F2210-00	20 - 9	1JD-F3479-10	22 - 4	B45-F6143-00-P1	27 - 4
1JD-E2241-10	4 - 10	1JD-E4613-00	8 - 6	1JD-E7141-20	14 - 3	5D9-F2311-10	20 - 7		22 - 20	1JD-F6145-01	27 - 6
1JD-E3300-00	5 - 1	B45-E4710-00	8 - 1	1JD-E7211-20	14 - 15	B45-F3102-00	22 - 1	1JD-F3525-00	21 - 11	1JD-F6240-00	27 - 9
1JD-E3324-00	5 - 7	1JD-E4718-10	8 - 2	1JD-E7221-40	14 - 10	B45-F3103-00	22 - 17	B45-F4110-00	23 - 1	1JD-F6241-00	27 - 10
4FP-E3411-00	5 - 5	1JD-E4747-00	8 - 9	1JD-E7231-20	14 - 14	1JD-F3110-10	22 - 8	1JD-F4216-00	23 - 9	1JD-F6280-12	27 - 11
1JD-E3440-00	5 - 6		28 - 26	1JD-E7241-20	14 - 13		22 - 24	1JD-F4311-00	23 - 3	1JD-F6281-00	27 - 15
1JD-E3447-00	5 - 8	1JD-E4803-20	8 - 13	1JD-E7411-20	14 - 1	1JD-F3111-10	22 - 16	1JD-F4312-00	23 - 4	1JD-F6282-00	27 - 16
1JD-E3542-00	8 - 15	1JD-E4881-00	8 - 20	1JD-E7421-20	14 - 9		22 - 32	1JD-F4313-00	23 - 5	1JD-F6290-12	27 - 12
1JD-E3586-00	6 - 1	1JD-E4882-00	8 - 17	5AP-E7456-00	14 - 27	1JD-F3118-10	22 - 9	1JD-F4500-00	23 - 8	1JD-F6301-02	27 - 13
1JD-E3595-00	6 - 3	5WB-E4962-00	7 - 14	1JD-E7471-00	14 - 21		22 - 25	1JD-F4514-00	23 - 2	B45-F6341-00	27 - 18
4JP-E4134-00	7 - 15	1JD-E5113-00	10 - 9	1P6-E7658-00	14 - 4	B45-F3122-00-P0	21 - 8	B45-F4610-00	37 - 11	1JD-F6342-00	27 - 19
1JD-E413A-00	7 - 22	1JD-E5155-00	9 - 6	1JD-E8101-00	16 - 2	B45-F3122-00-P1	21 - 8	1JD-F4726-00	24 - 4	1JD-F7111-20	28 - 1
5WB-E4147-00	7 - 13	1JD-E5362-00	10 - 18	1JD-E8102-00	16 - 1	B45-F3126-00	22 - 2	1JD-F4727-00	24 - 6	1JD-F7112-00	28 - 3
1JD-E4179-00	7 - 25	1JD-E5371-00	9 - 3	1JD-E8111-20	16 - 24	B45-F3132-00-P0	21 - 16	1JD-F4730-01	24 - 1	1JD-F7211-10	28 - 6
1JD-E4197-00	7 - 36	1JD-E5377-00	10 - 12	1JD-E8120-01	15 - 7	B45-F3132-00-P1	21 - 16	1JD-F473R-00	24 - 7	1JD-F7214-00	28 - 2
1JD-E4293-00	7 - 16	1JD-E5411-00	10 - 1	1JD-E8140-20	16 - 8	B45-F3136-00	22 - 18	1JD-F473T-00	24 - 9	1JD-F7231-00	28 - 8
B45-E4301-00	7 - 1	1JD-E5418-10	10 - 10	1JD-E8172-00	16 - 4	5VW-F313B-00	29 - 23	1JD-F4741-00	24 - 2	1JD-F7311-00	28 - 14
1JD-E4306-00	7 - 2	1JD-E5421-00	10 - 13	1JD-E8173-00	16 - 16	1JD-F3141-10	22 - 14	1JD-F4741-10	24 - 3	1FD-F7411-00	28 - 18
1JD-E4307-00	7 - 21	1JD-E5451-00	10 - 2	1JD-E8179-00	16 - 3		22 - 30	B45-F4773-00	24 - 16	1PB-F7413-00	28 - 20
1JD-E4321-00	7 - 4	1JD-E5461-00	10 - 14	1JD-E817A-00	16 - 17	1JD-F3144-10	22 - 13	1JD-F4780-00	37 - 12	1JD-F7431-00	28 - 21
1JD-E4323-00	7 - 12	1JD-E5512-00	12 - 1	1JD-E8181-00	16 - 5		22 - 29	2S1-F510L-09	25 - 7	4FP-F7433-00	28 - 22
1JD-E4325-00	7 - 31	1JD-E5524-00	12 - 3	1JD-E8185-00	15 - 2	1JD-F3145-10	22 - 11	5VT-F5121-00-33	25 - 5	1JD-F8100-00	24 - 18

NUMERICAL INDEX

PART NO.	REF. NO.	PART NO.	REF. NO.	PART NO.	REF. NO.	PART NO.	REF. NO.	PART NO.	REF. NO.	PART NO.	REF. NO.
B45-F8311-01-P0	29 - 1	1JD-H3342-12	32 - 5	90109-08820	28 - 15	90201-08310	8 - 8	90388-12800	20 - 2	91312-06012	12 - 6
B45-F8311-01-P1	29 - 1	5VL-H3350-21	38 - 9	90109-08828	26 - 37	90201-083A8	8 - 11	90430-06014	1 - 4	91312-06016	30 - 4
1JD-F8312-00	29 - 5	5VL-H3359-01	32 - 16	90109-08841	26 - 42	90201-08877	4 - 6	90430-10805	5 - 4	91312-06020	15 - 3
1JD-F8321-00	29 - 9	1JD-H3371-10	38 - 10	90110-05801	5 - 2	90201-088C3	1 - 10	90445-08819	37 - 5		16 - 25
1JD-F8322-00	29 - 10	1JD-H3510-11	33 - 1	90110-06846	6 - 5	90201-10035	25 - 25	90445-08829	37 - 6		30 - 3
1JD-F8385-00	29 - 14	1JD-H3511-00	33 - 2	90116-06819	1 - 2	90201-108C7	20 - 12	90450-42801	6 - 21	91312-06025	6 - 7
B45-F8391-00	29 - 19	4FP-H3517-10	33 - 4	90116-08815	9 - 10	90201-127F4	16 - 11	90464-35820	32 - 18	91402-16012	28 - 25
B45-F8391-10	29 - 19	1JD-H3520-00	33 - 3	90119-05802	38 - 15	90201-12820	13 - 10		37 - 19	91402-20012	26 - 41
B45-F8393-00	29 - 20	1JD-H3550-00	33 - 6	90119-06018	35 - 10	90201-12823	26 - 28		38 - 16		28 - 12
B45-F8393-10	29 - 20	1JD-H3922-00	36 - 4	90119-06810	6 - 23	90201-12824	16 - 15	90465-13152	37 - 18	91402-30030	28 - 4
B45-F8394-00	29 - 21	5VL-H3936-00	27 - 23		29 - 13	90201-12826	16 - 12	90467-08804	8 - 16	92012-05016	27 - 14
B45-F8394-10	29 - 21	1JD-H3975-10	36 - 2	90119-068B3	18 - 4		30 - 6	90467-09006	23 - 7	92902-06200	28 - 13
1JD-F842N-00	29 - 17	1JD-H3976-00	36 - 1	90149-06848	37 - 13	90201-128F3	20 - 5	90467-10008	23 - 6	92902-08200	1 - 11
B45-H1358-00	30 - 7	B45-H3976-00	36 - 3	90159-05805	13 - 20	90201-15700	14 - 7	90467-11827	6 - 17	92990-06200	8 - 4
B45-H1410-00	30 - 2	1JD-H3980-00	36 - 7	90159-06801	29 - 3		14 - 16	90467-12828	6 - 19	93101-10800	10 - 20
1JD-H1450-00	30 - 1	1JD-H4140-10	32 - 6		29 - 8	90201-167P7	13 - 5		9 - 5	93102-12806	16 - 6
1JD-H1800-00	31 - 1	B45-H4310-00	34 - 1		29 - 16	90201-178D3	16 - 22	90467-13813	6 - 24	93102-16804	11 - 13
4RT-H1801-00	31 - 4	B45-H4312-00	34 - 4	90159-06830	20 - 8	90201-20269	25 - 13	90467-180A1	8 - 18	93102-20802	14 - 25
1JD-H1828-00	31 - 6	1SB-H4314-00	34 - 2	90170-06809	26 - 33	90201-208D4	28 - 23	90467-18809	8 - 19	93105-47810	25 - 6
4S9-H1834-00	31 - 5	1JD-H4347-00	34 - 3	90176-08813	1 - 12	90202-10800	26 - 38	90467-20802	8 - 21	93106-20808	25 - 3
1JD-H183G-00	31 - 2	1JD-H4374-00	34 - 6	90179-06826	27 - 21	90206-19802	11 - 10		8 - 22	93106-26812	26 - 17
4S9-H1940-00	38 - 8	1JD-H4702-00	35 - 9	90179-06835	28 - 11	90209-18208	14 - 11	90468-26800	11 - 3	93210-06809	16 - 19
1JD-H1960-00	38 - 6	1JD-H4704-00	35 - 4	90179-08639	26 - 23	90215-14801	13 - 25	90480-01813	17 - 9	93210-10801	33 - 8
B45-H2021-00	37 - 9	1JD-H4710-12	35 - 1	90179-08830	17 - 5	90240-06806	28 - 24	90480-12808	19 - 3	93210-14104	26 - 7
4VC-H2110-00	37 - 4	4KL-H4714-20	35 - 3	90179-08835	1 - 13	90249-12808	27 - 22		19 - 9	93210-14899	10 - 8
1JD-H2116-01	37 - 7	1JD-H4721-01	35 - 2	90179-10803	11 - 12		28 - 10	90480-13815	29 - 12	93210-19805	10 - 19
1JD-H2151-00	37 - 17	3D9-H4724-10	35 - 5	90179-10807	17 - 6	90280-03017	2 - 3	90480-14806	24 - 11	93210-21804	38 - 4
1JD-H2176-00	37 - 8	3D9-H5130-00	38 - 17	90179-12803	13 - 11	90340-10801	5 - 3	90480-14825	18 - 3	93210-25811	6 - 2
1JD-H2310-00	37 - 1	4KL-H5131-14	21 - 22	90179-14806	13 - 26	90340-14821	10 - 7	90480-18805	35 - 8		6 - 4
1JD-H2370-00	37 - 3	1JD-H5546-00	38 - 2	90179-25864	21 - 7	90387-06063	19 - 4	90501-04805	13 - 9	93210-29811	31 - 7
1JD-H2501-10	37 - 10	1JD-H554A-00	38 - 1	90183-05807	18 - 8		19 - 10	90501-05802	13 - 23	93210-40801	26 - 4
1JD-H2530-00	37 - 15	1JD-H5752-00	38 - 12		21 - 9	90387-06803	6 - 20	90501-06805	15 - 6	93210-44812	1 - 9
1JD-H2540-00	38 - 3	1JD-H5753-01	38 - 14		21 - 17		6 - 22	90501-10806	27 - 20	93210-60803	5 - 11
B45-H2552-00	36 - 3	1JD-H5757-00	38 - 13		24 - 8	90387-06857	21 - 14	90501-10814	28 - 9	93210-71462	1 - 6
B45-H2590-00	37 - 16	B45-W1140-00	2 - 1		27 - 5		21 - 15	90501-125E9	16 - 14	93306-002YP	14 - 23
B45-H2590-10	37 - 16	1JD-W1161-00	2 - 7		29 - 4	90387-068D7	24 - 12	90501-203G2	13 - 19	93306-004XB	26 - 19
1JD-H3310-12	32 - 2	B45-W1510-00	9 - 1		29 - 7	90387-08830	8 - 10	90506-12001	25 - 8	93306-054YF	14 - 19
4FP-H3311-00	32 - 9	1JD-W1510-10	9 - 1		29 - 15		28 - 27		26 - 9	93306-204XJ	14 - 24
	32 - 13	5VL-Y1215-00	3 - 9	90183-05819	35 - 7	90387-10833	29 - 11	90506-15001	25 - 9	93306-252XN	14 - 20
3D9-H3311-20	32 - 1	1JD-Y1854-01	15 - 1	90185-10807	25 - 24	90387-10834	18 - 2		26 - 10	93306-300YG	25 - 4
1JD-H3312-02	32 - 10	90101-06278	25 - 16	90185-12007	26 - 27	90387-108M0	25 - 22	90506-23804	28 - 17	93306-301XY	26 - 3
	32 - 14	90101-06832	18 - 6	90201-05812	19 - 6	90387-127Y0	26 - 18	90506-35806	28 - 5	93306-305YX	2 - 2
1JD-H3320-12	32 - 4	90101-08847	26 - 22		19 - 12	90387-12844	26 - 2	90508-26808	11 - 7	93306-904X1	4 - 2
1JD-H3330-02	32 - 8	90105-06849	1 - 17	90201-064L6	25 - 12	90387-15824	14 - 18	90508-40810	28 - 7	93410-20809	14 - 5
1JD-H3332-12	32 - 3	90105-06899	4 - 14	90201-06817	24 - 14	90387-16814	13 - 1	90520-10807	19 - 13	93410-22820	14 - 12
1BK-H3333-00	32 - 11	90105-10259	20 - 10	90201-06882	18 - 7	90387-17805	13 - 24	90560-10292	25 - 2	93450-14088	2 - 6
	32 - 15	90105-10839	27 - 2	90201-07808	37 - 14	90387-17809	13 - 12	91312-06012	4 - 4	93503-16824	13 - 29
1JD-H3340-02	32 - 12	90109-06883	36 - 5	90201-081J7	26 - 39	90388-08800	9 - 11		8 - 14	93604-10837	16 - 13

NUMERICAL INDEX

PART NO.	REF. NO.	PART NO.	REF. NO.	PART NO.	REF. NO.	PART NO.	REF. NO.	PART NO.	REF. NO.	PART NO.	REF. NO.
93604-12801	15 - 4	95802-06010	38 - 11	99530-10114	1 - 16						
93606-10802	13 - 8	95802-06012	21 - 21		9 - 2						
93608-34800	12 - 2	95802-06016	10 - 11		9 - 9						
93608-50149	16 - 7	95802-06020	23 - 10		10 - 3						
93812-15825	14 - 26	95802-06035	24 - 15		10 - 15						
94107-17838	25 - 20	95812-06020	24 - 17								
94108-17850	26 - 24		30 - 8								
94207-17805	25 - 21	95812-08016	4 - 7								
94208-17804	26 - 25	95812-08040	8 - 7								
94568-F4105	26 - 34	95812-08120	17 - 4								
94568-F7090	4 - 8	95812-08130	17 - 2								
94668-F4001	26 - 35	95812-10120	17 - 3								
94700-00869	1 - 14	95822-06030	24 - 13								
95022-06010	14 - 28	95822-08016	28 - 19								
95022-06012	1 - 3		28 - 29								
95022-06014	38 - 7	97022-06016	37 - 2								
95022-06016	21 - 12	97027-06035	26 - 14								
	21 - 13	97601-04114	7 - 19								
95022-06020	1 - 7	97602-05225	27 - 17								
	5 - 9	97603-06113	7 - 33								
95022-06030	6 - 6	97702-50016	19 - 5								
	10 - 6		19 - 11								
95022-06040	9 - 8		21 - 10								
	10 - 4		21 - 18								
	10 - 16		24 - 10								
95022-06050	10 - 5		27 - 7								
	10 - 17		29 - 2								
95022-06055	9 - 7		29 - 6								
95022-06060	10 - 6		29 - 18								
95022-06100	5 - 10		32 - 7								
95302-06600	26 - 32		33 - 5								
95302-08700	26 - 40		35 - 6								
95302-10600	20 - 11	97702-50030	6 - 15								
95307-06600	25 - 17	97707-50016	27 - 8								
	26 - 15	97901-04116	7 - 32								
95602-05200	21 - 23	98502-04010	36 - 8								
95602-06100	36 - 6	98502-05016	38 - 5								
95602-08200	28 - 16	98512-06012	14 - 22								
95602-10200	27 - 3	98902-05008	31 - 3								
95602-12200	20 - 6	98902-05020	19 - 2								
95702-05500	38 - 18		19 - 8								
95702-06500	8 - 5	98902-06012	8 - 3								
	16 - 20	98902-06016	19 - 15								
	24 - 5	99009-15400	14 - 8								
95702-08500	8 - 12		14 - 17								
95702-10500	32 - 17	99009-17400	16 - 21								
95702-12500	30 - 5	99009-19400	11 - 6								
95802-06010	34 - 5	99231-00100	29 - 22								